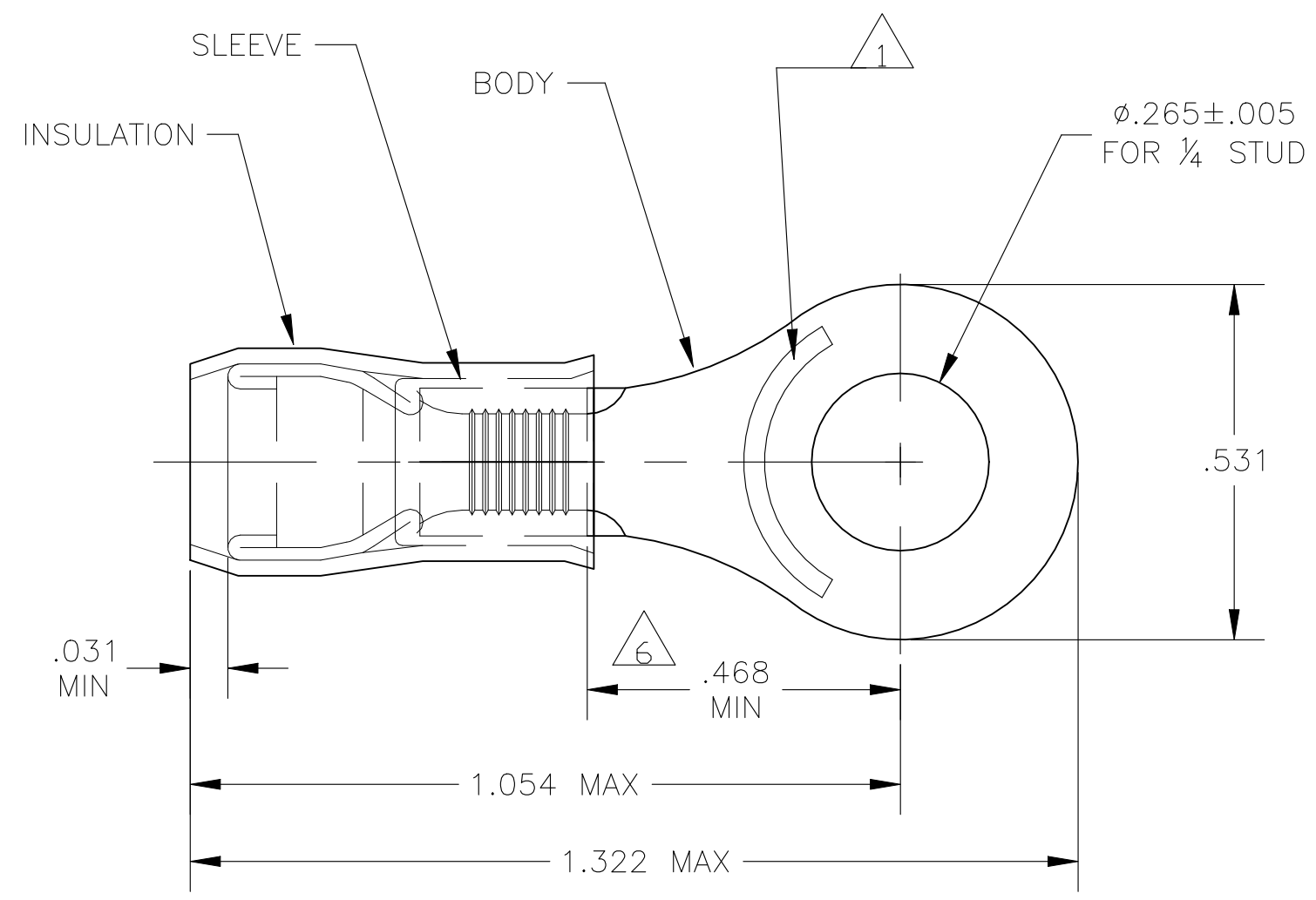


© - TE Connectivity. All Rights Reserved.

REVISIONS					
P	LTR	DESCRIPTION	DATE	DWN	APVD
	K4	REVISED PER ECN-22-156403	06JUN2022	RK	CSD



- 1 STAMP "AMP 12-10*" APPROX AS SHOWN
- 2 WIRE INSULATION DIA: .150-.250
- 3 TONGUE MATERIAL THK: .040±.002
- 4 BODY: TIN PLATE .000100 MIN EXT THK PER ASTM B545
- 5 BODY & SLEEVE- CU PER ASTM B152
INSULATION - NYLON, COLOR - YELLOW
- 6 APPLIES FROM EDGE OF METAL WIRE BARREL TO CENTER OF STUD HOLE.
- 7 MEETS MS25036-157, CLASS 1
- 8 NOTE DELETED

SUPERSEDED BY 8-35110-1	25	LOOSE PIECE, BLS	9-35110-4
SUPERSEDED BY 8-35110-1	5	LOOSE PIECE, BLS	8-35110-5
SUPERSEDED BY 8-35110-1	25	LOOSE PIECE, BAG	8-35110-4
	100	LOOSE PIECE, BOX	8-35110-1
	2500	ON TAPE & REEL	2-35110-1
	500	LOOSE PIECE	7 35110
QTY		PACKAGE TYPE	PART NO

CUSTOMER SERVICE SYSTEMS		MAX RECOMMENDED OPERATING TEMPERATURE: 105°C MAX	THIS DRAWING IS A CONTROLLED DOCUMENT.		DWN JR RUTH 18DEC09	TE Connectivity				
FOR ADDITIONAL PRODUCT INFORMATION OR COPIES OF DRAWINGS AND TECHNICAL DOCUMENTS	PRODUCT INFORMATION CENTER 1-800-522-6752	VOLTAGE RATING: 300 VOLT MAX	DIMENSIONS: INCHES	TOLERANCES UNLESS OTHERWISE SPECIFIED:	CHK T MICHELUTTI 18DEC09					NAME TERMINAL, RING TONGUE, PIDG WIRE SIZE: 12-10 AWG
FOR APPLICATION TOOLING INFORMATION	TOOLING ASSISTANCE CENTER 1-800-722-1111	CIRCULAR MIL AREA: 2.62-6.64mm² [5,180-13,100] STRANDED OR SOLID		0 PLC ± - 1 PLC ± - 2 PLC ± - 3 PLC ± .008 4 PLC ± - ANGLES ± -	APVD T MICHELUTTI 18DEC09	PRODUCT SPEC	SIZE	CAGE CODE	DRAWING NO	RESTRICTED TO
FOR ORDER ENTRY	1-800-526-5142	THIS DRAWING IS A CONTROLLED DOCUMENT FOR AMP INCORPORATED. IT IS SUBJECT TO CHANGE AND THE CONTROLLING ENGINEERING ORGANIZATION SHOULD BE CONTACTED FOR THE LATEST REVISION.	MATERIAL	FINISH	WEIGHT	-	A3	00779	C-35110	-
					CUSTOMER DRAWING	SCALE	4:1	SHEET	1 OF 1	REV K4

Mouser Electronics

Authorized Distributor

Click to View Pricing, Inventory, Delivery & Lifecycle Information:

[TE Connectivity:](#)

[2-35110-1](#)