

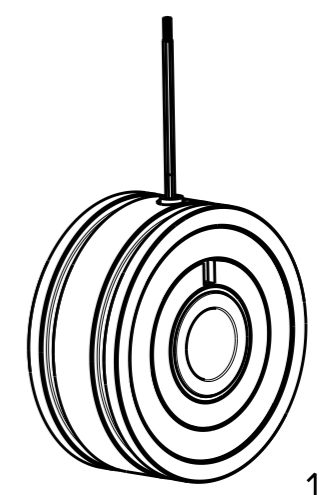
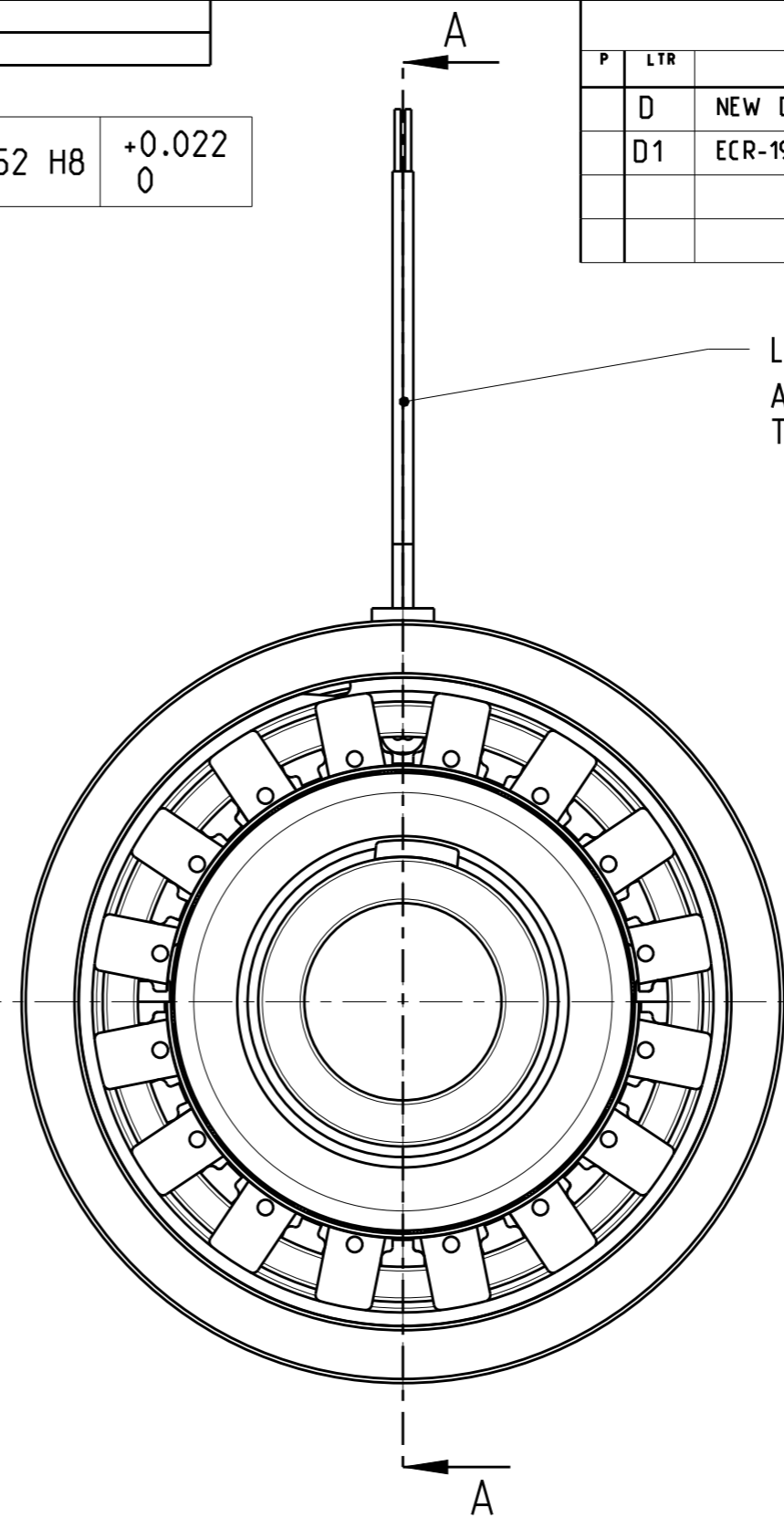
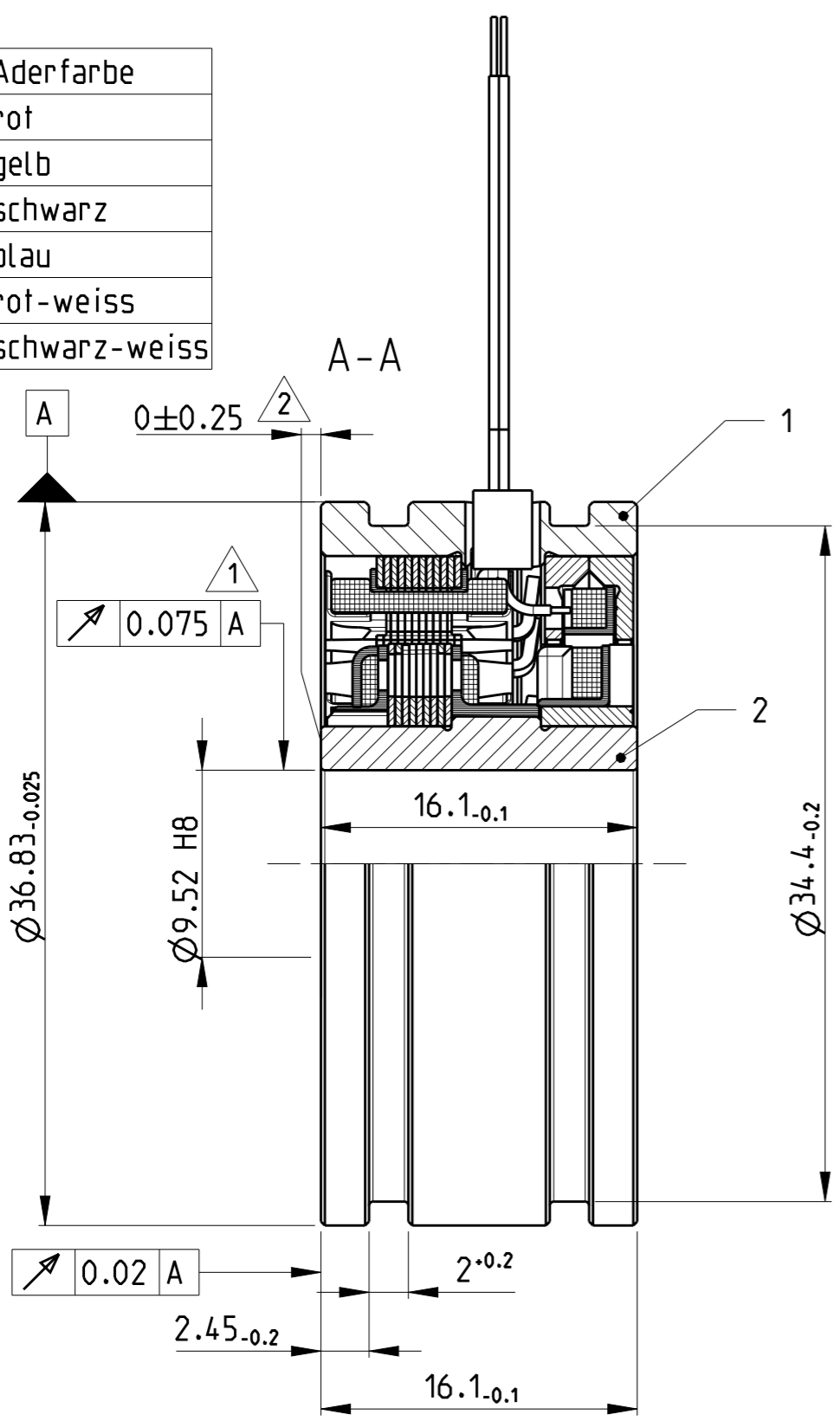
THIS DRAWING IS UNPUBLISHED. RELEASED FOR PUBLICATION 2018
 © COPYRIGHT 2018 BY Tyco Electronics AMP GmbH ALL RIGHTS RESERVED.

REVISIONS				
P	LTR	DESCRIPTION	DATE	APVD
D		NEW DRAWING	05 JUNE 2018	GK SB
D1		ECR-19-011771	25 JUL 2019	GK OD

Signal	Aderfarbe
S1	rot
S2	gelb
S3	schwarz
S4	blau
R1	rot-weiss
R2	schwarz-weiss

9.52 H8 +0.022
0


L=470+10
AWG 26.
Teflon isoliert



1 Gesamtschlag im eingebauten Zustand
 2 Axialversatz

SIMILAR TO C23135-A291-A20

REVISION	PARTNUMBER	DESCRIPTION	ITEM NO
1	1-1824862-0	Rotor kpl. / Bauform B1 (12N)	2
1	1-1824763-0	Gehäuse kpl. / Bauform S1	1
1-1824950-0	PARTNUMBER	DESCRIPTION	ITEM NO
REVISION OF EACH ASSY NO. (WHEN BLANK, USE DWG. REVISION)			
PARTS LIST			

THIS DRAWING IS A CONTROLLED DOCUMENT.		DWN 05 JUNE 2018 GOPALAKRISHNA HV		 TE Connectivity	
DIMENSIONS: mm		CHK 05 JUNE 2018 SARFRAZ BILAL			
TOLERANCES UNLESS OTHERWISE SPECIFIED:		APVD 05 JUNE 2018 ONDREJ DUSAN		NAME Hohlwellendrehmelder / Gr.15 Bauform S1	
0 PLC ±		PRODUCT SPEC		SIZE	
1 PLC ±		APPLICATION SPEC		CAGE CODE	
2 PLC ±		WEIGHT		DRAWING NO	
3 PLC ±		CUSTOMER DRAWING		RESTRICTED TO	
4 PLC ±		SCALE 3:1		SHEET 1 OF 1	
ANGLES ±1°		REV D1			
FINISH					

Mouser Electronics

Authorized Distributor

Click to View Pricing, Inventory, Delivery & Lifecycle Information:

[TE Connectivity:](#)

[1-1414631-0](#)