

Indoor 300-lb Electromagnetic Lock E-941SA-300RQ *Mounting brackets available*

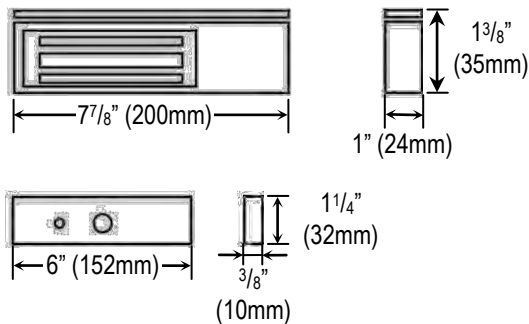
Features:

- ▶ Holding force: 300-lb (136 kg).
- ▶ Perfect for cabinets, small enclosures, and pedestrian gates.
- ▶ Detachable mounting bracket included.
- ▶ Anodized aluminum housing (US 28).
- ▶ No residual magnetism.
- ▶ MOV surge protection.
- ▶ Complete mounting hardware included.
- ▶ RoHS compliant.
- ▶ Selectable 12/24 VDC operation
- ▶ "L," "Z," and "U" brackets available for easy mounting.



Complete line of specialty mounting brackets available for the E-941SA-300RQ:

Dimensions:



E-941S-300/LQ
(includes "L" bracket)

E-941S-300/ZQ
(includes "L" and "Z" brackets)

E-941S-300/UQ
(includes "L," "Z," and "U" brackets)

Specifications:

Operating voltage	12 or 24 VDC±10% (Default 12VDC)	
Current draw	12VDC	420mA@12VDC
	24VDC	210mA@24VDC
Coil resistance	57Ω±10% per coil	
Operating temperature	14°~131° F (-10°~55° C)	
Weight	3-lb 5-oz (1.5kg)	

Sample Installations:

