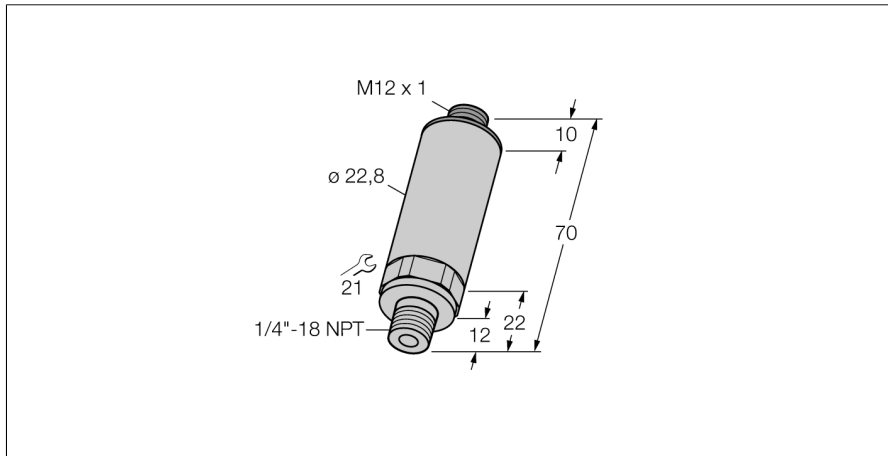


Pressure Transmitter with current output (2-wire) PT-30HG-13-LI3-H1131

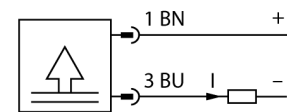
TURCK
works

Industrial
Automation



- Compact and robust design
- Pressure connection with integrated peak pressure aperture
- Minimum influence of temperature on accuracy within the entire temperature range of $-40\dots+125^{\circ}\text{C}$
- Excellent EMC properties
- Pressure range $0\dots30$ in HG rel.

Wiring Diagram



Functional principle

The pressure transmitters of the PT...-1 series operate with piezo-resistive ceramic measuring cells. The ceramic diaphragm is unbalanced in proportion to the pressure applied. Depending on the sensor type used, the processed signal is provided as an analog output signal $4\dots20\text{mA}$ (2-wire) or $0\dots10\text{V}$ (3-wire).

Type designation	PT-30HG-13-LI3-H1131
Ident-No.	6831455
Ident-No (TUSA)	H6831455
Relative pressure	$0\dots1.016$ bar rel.
Operating range	$0\dots14.74$ psi
Operating range	$0\dots0.1$ MPa
Admissible overpressure	≤ 3 bar
Burst pressure	≥ 3 bar
Response time	< 2 ms, typ. 1 ms
Power supply	
Operating voltage	$8\dots33$ VDC
Current consumption	≤ 20 mA
Protective measure	SELV according to EN 50178
Short-circuit/reverse polarity protection	yes/ yes
Protection type and class	IP67/ III
Outputs	
Output 1	Analog output
Analog output	
Current output	$4\dots20$ mA
Operating range	$4\dots20$ mA (2-wire)
Load	≤ 1 k Ω
Accuracy LHR analog output	± 0.3 % FS BSL
Calibration accuracy 0-point	0.3 % FS
Calibration accuracy full scale	0.3 % FS
Temperature behaviour	
Medium temperature	$-40\dots+125^{\circ}\text{C}$
Temperature coefficient zero point T_{k0}	± 0.15 % of full scale/10 K
Temperature coefficient span T_{kS}	± 0.15 % of full scale/10 K
Ambient conditions	
Ambient temperature	$-40\dots+85^{\circ}\text{C}$
Storage temperature	$-40\dots+85^{\circ}\text{C}$
Vibration resistance	$20 \times g$ ($9\dots2000$ Hz, $2\dots9$ Hz with an amplitude ± 15 mm), acc. to IEC 68-2-6
Shock resistance	100 g (11 ms) , according to IEC 61508
Housing	
Housing material	Stainless-steel/Plastic, V2A (1.4305)
Pressure connection material	Stainless steel A2 1.4305 (AISI 303)
Pressure transducer material	Ceramics Al_2O_3
Sealing material	FPM
Process connection	NPT $\frac{1}{4}$ " -18 male thread
Wrench size pressure connection / coupling nut	SW 21
Electrical connection	Connector, M12 \times 1
Max. tightening torque housing nut	20 Nm

**Pressure Transmitter
with current output (2-wire)
PT-30HG-13-LI3-H1131**

TURCK
works

Industrial
Automation

Reference conditions acc. to IEC 61298-1

Temperature	15...+25 °C
Atmospheric pressure	860...1060 hPa abs.
Humidity	45...75 % rel.
Auxiliary power	24 VDC

MTTF	760 acc. to SN 29500 (Ed. 99) 40 °C
-------------	-------------------------------------