

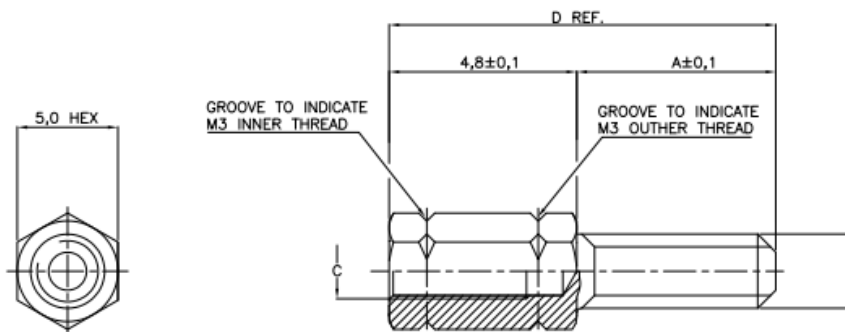
Professionally approved products.

## Datasheet

# AMPLIMITE HD screwlock 4-40, 7.9mm

RS Stock number [717-4527](#)

Dimensions: mm



## Specifications

- Tin Plated – Finish
- Brass - Material

# **Professionally approved products.**

## **Datasheet**

### **Specifications**

- Suitable for socket contact
- For FLR-Conductor according to DIN 72551-6 only
- Reeled Version
- Wire Size: 20 →24 AWG
- Contact Plating :Tin
- Gender :Male
- Termination Method: Crimp