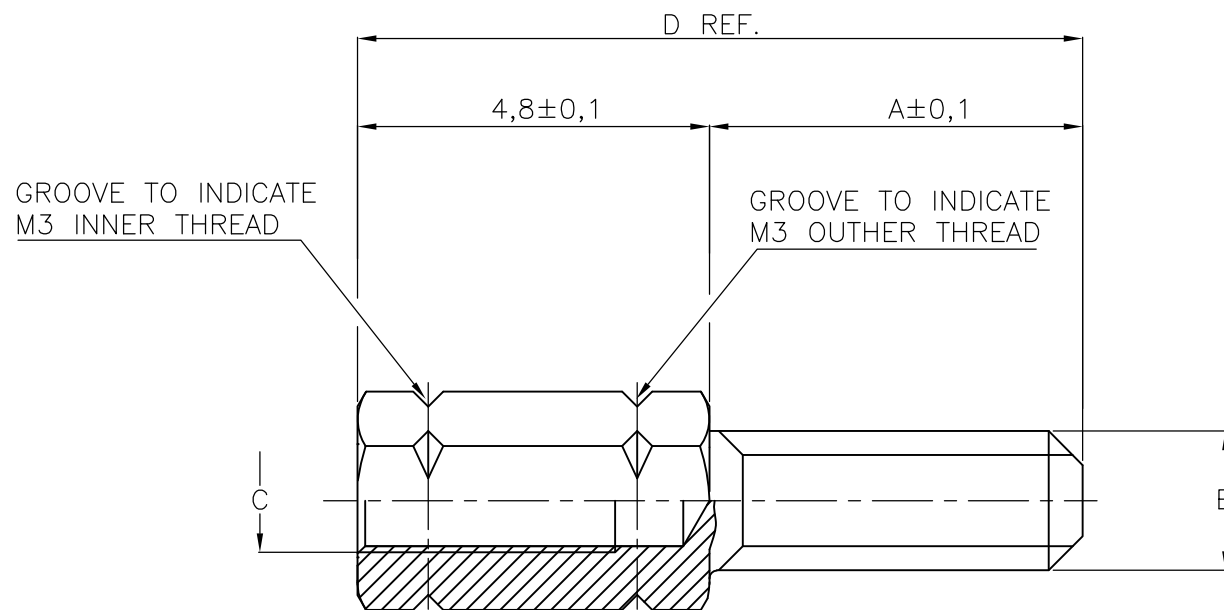
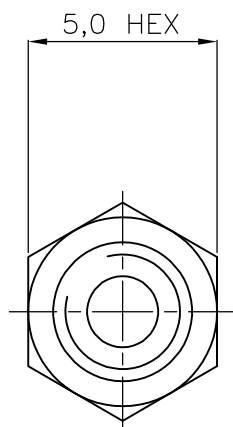


THIS DRAWING IS UNPUBLISHED. RELEASED FOR PUBLICATION  
 © COPYRIGHT BY TYCO ELECTRONICS CORPORATION. ALL INTERNATIONAL RIGHTS RESERVED.

LOC	DIST	REVISIONS					
		P	LTR	DESCRIPTION	DATE	DWN	APVD
H	—		C	H-9720	21-04-92	S.M.	—
			D	EH-0054-92	07-12-92	D.K.	—
			J	ECR-09-000314	21-05-09	AEG	KMA
			J1	REVISED PER ECO-09-023313	12OCT09	KK	AEG



1	OBSELETE	DIM "D"	DIM "C"	DIM "B"	DIM "A"	FINISH	MATERIAL	PART NUMBER
1	OBSELETE	10,8	4-40 UNC	4-40 UNC	6,0	TINPLATED	BRASS	<del>3-829261-0</del>
1	OBSELETE	9,8	M3	4-40 UNC	5,0			<del>2-829261-8</del>
	4-40 UNC		M3	5,0	2-829261-6			
	M3		M3	5,0	2-829261-4			
	4-40 UNC		4-40 UNC	5,0	2-829261-2			
1	OBSELETE	19,0	M3	4-40 UNC	14,2			<del>1-829261-8</del>
	4-40 UNC		M3	14,2	1-829261-6			
	M3		M3	14,2	1-829261-4			
	4-40 UNC		4-40 UNC	14,2	1-829261-2			
	12,7	M3	4-40 UNC	7,9	829261-8			
		4-40 UNC	M3	7,9	829261-6			
		M3	M3	7,9	829261-4			
		4-40 UNC	4-40 UNC	7,9	829261-2			

1 OBSELETE PARTS: OBSELETE CIS STREAMLINING  
 PER D.RENAUD/D.SINISI

THIS DRAWING IS A CONTROLLED DOCUMENT.		DWN D.KESSLER 02APR91	Tyco Electronics Corporation 's-Hertogenbosch, Nederland		
DIMENSIONS: mm		CHK C.V.TILBURG 23APR91	NAME SCREWLOCK, FEMALE HD-SERIES		
TOLERANCES UNLESS OTHERWISE SPECIFIED:		APVD L.V.SOEST 25APR91	PRODUCT SPEC	SIZE	CAGE CODE
0 PLC ± -		APPLICATION SPEC	—	DRAWING NO	RESTRICTED TO
1 PLC ± 0,2		—	—	A3	00779
2 PLC ± -		—	—	C=	829261
3 PLC ± -		—	—	SCALE	NTS
4 PLC ± -		—	—	SHEET	1 OF 1
ANGLES ±		—	—	REV	J1
MATERIAL		FINISH	WEIGHT	CUSTOMER DRAWING	
-		-	-		