

1 2 3 4

REV.	DESCRIPTION	DATE	DESIGNED
△			

NOTE

1.(LF) as identification part number indicating product corresponding to RoHS shall be displayed on a label until all products are shifted to the products corresponding to RoHS.

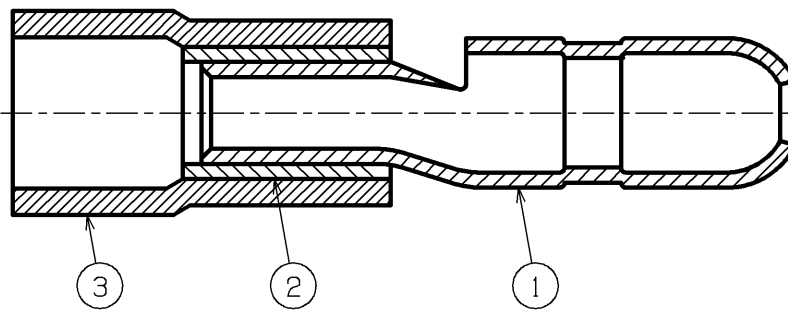
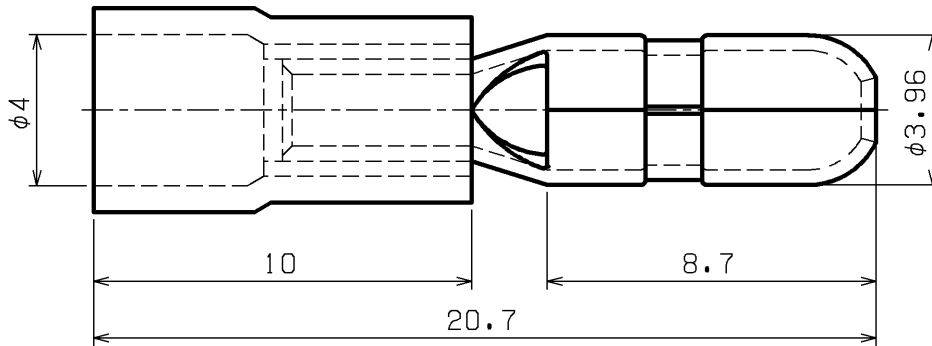
A

B

C

D

E



3	INSULATOR	VINYL		RED
2	SLEEVE	COPPER	TIN-PLATED	
1	TERMINAL	BARSS	TIN-PLATED	t0.4
No.	PART NAME	MATERIAL	SURFACE FINISH	REMARKS

SIZE	UNIT	SCALE	PROJECTION	DATE	CUSTOMER
A4	METRIC	5:1		FEB.13.2008	

APPROVED	CHECKED	DESIGNED	DRAWN	SERIES NAME	INSULATED BULLET
S.K	H.N	T.T	M.Y	PART No.	FVDAGM1.25-5

<b>JST</b> J.S.T.MFG.CO.,LTD.				DRAWING No.	KRD-14451-2	RO
-------------------------------	--	--	--	-------------	-------------	----

THIS DRAWING CONTAINS INFORMATION THAT IS PROPRIETARY TO J.S.T. AND SHOULD NOT BE USED WITHOUT WRITTEN PERMISSION.

EC4118-1

F