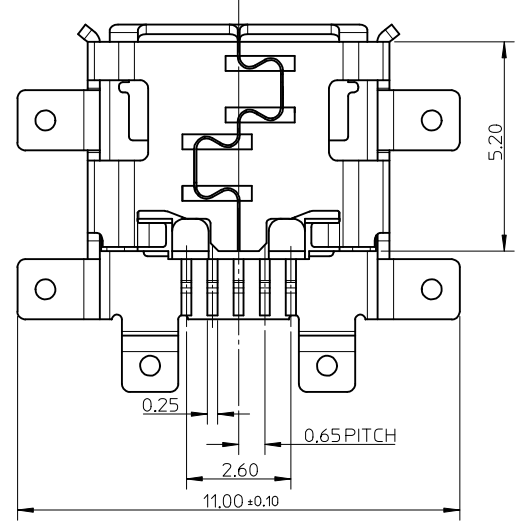
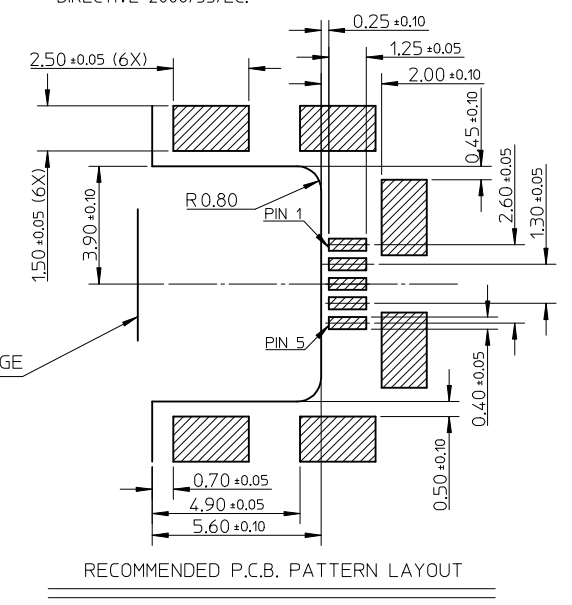
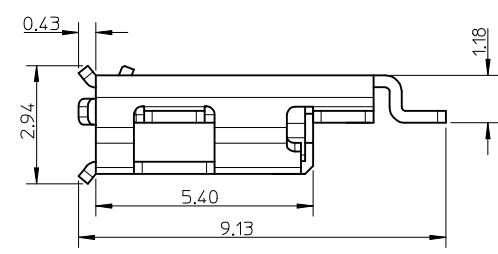
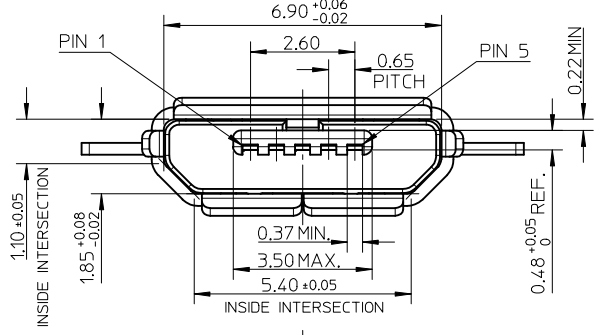
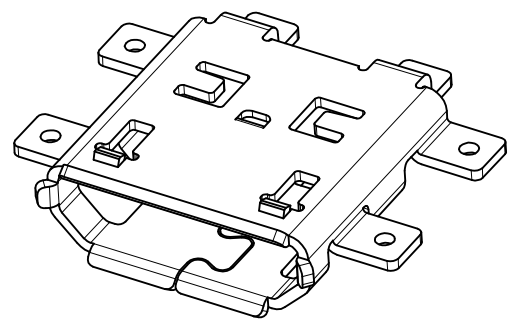
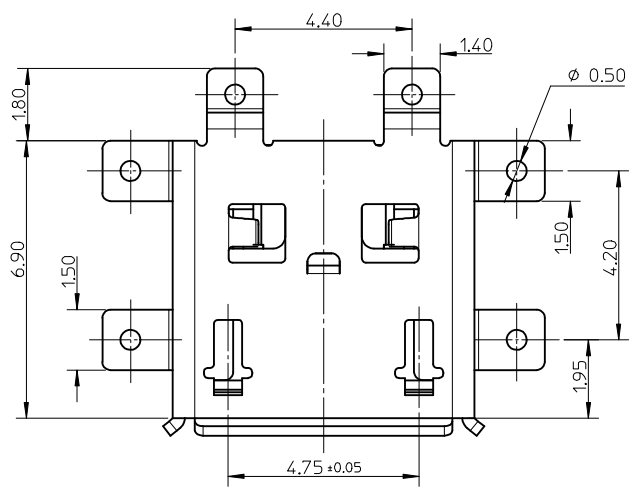


NOTE :

- MATERIAL :
 HOUSING : LCP, BLACK, UL94V-0
 TERMINAL : COPPER ALLOY THICKNESS = 0.15 MM
 SHIELD CASE : STAINLESS STEEL THICKNESS = 0.30 MM
- PLATING :
 TERMINAL:
 CONTACT AREA : GOLD FLASH OVER MINIMUM 0.75 MICRON Pd/Ni.
 SOLDER TAIL AREA : GOLD FLASH.
 UNDER PLATING : NICKEL 2.0 MICRON MINIMUM.
 SHIELD :
 MATTE TIN 3.8 MICRON MINIMUM.
 UNDER PLATING : NICKEL 1.27 MICRON MINIMUM.
- TAIL & NAIL COPLANARITY 0.08 mm MAXIMUM.
- PACKAGING SPECIFICATION : PK-47491-001
- PRODUCT SPECIFICATION : PS-47642-001
- COMPLIANT TO RoHS DIRECTIVE 2011/65/EU AND ELV DIRECTIVE 2000/53/EC.



OBS 47491-0002 EC NO: SH2016-0284 TDRW: XZHZHANG 2016/04/14 CH'KD: XZHZHANG 2016/04/14 APPR: AYXIN 2016/04/18	QUALITY SYMBOLS F=0 F=0 F=0	GENERAL TOLERANCES (UNLESS SPECIFIED)		DIMENSION STYLE MM ONLY		SCALE 8:1	DESIGN UNITS METRIC	THIRD ANGLE PROJECTION		
				mm	INCH	DRAWN BY	DATE	TITLE		
		4 PLACES	± ---	± ---	XJSONG	2006/04/28	MICRO USB B REC. MIDDLE MOUNT ASS'Y			
		3 PLACES	± ---	± ---	CHECKED BY	DATE				
2 PLACES	± 0.25	± ---	IWANG	2006/04/28	molex					
1 PLACE	± 0.25	± ---	APPROVED BY	DATE						
0 PLACE	±	±	JNCHEN	2006/04/28	MATERIAL NO. 47491-0001		DOCUMENT NO. SD-47491-001	SHEET NO. 1 OF 1		
DRAFT WHERE APPLICABLE MUST REMAIN WITHIN DIMENSIONS		ANGULAR ± 3 °		THIS DRAWING CONTAINS INFORMATION THAT IS PROPRIETARY TO MOLEX INCORPORATED AND SHOULD NOT BE USED WITHOUT WRITTEN PERMISSION						