

D-SUBMINIATURE (D-SUB) ECONOMY RANGE CONNECTORS

OVERVIEW

FCI's D-Subminiature (D-Sub) connectors are part of an industry standard for applications requiring robust and reliable connectors. These proven D-Sub connectors are one of the most popular Input /Output interconnects, addressing a wide variety of applications in telecommunications, data, consumer, industrial & instrumentation, military and medical. FCI offers D-Sub economy range connectors to meet all design requirements, and to address increasing needs for proven connectors for less demanding applications.



FEATURES

- Designed for less demanding applications
- D-shaped shell design
- Meets DIN 41652 and MIL-C-24308 dimensional standards
- Stamped and formed contacts
- Durability of 50 mating and unmating cycles
- Straight and angled terminations available
- Right angle versions available to meet both Europe and US styles

BENEFITS

- Robust and reliable connectors at a competitive price
- Supports the need for polarisation
- Interchangeable and intermateable with other makes
- Economical solution
- Suitable for applications such as set-top box, energy meters, control devices
- Varied PCB mounting options
- Can fit into footprint/ pitch options of 10.4/ 2.54mm and 8.08/ 2.84mm

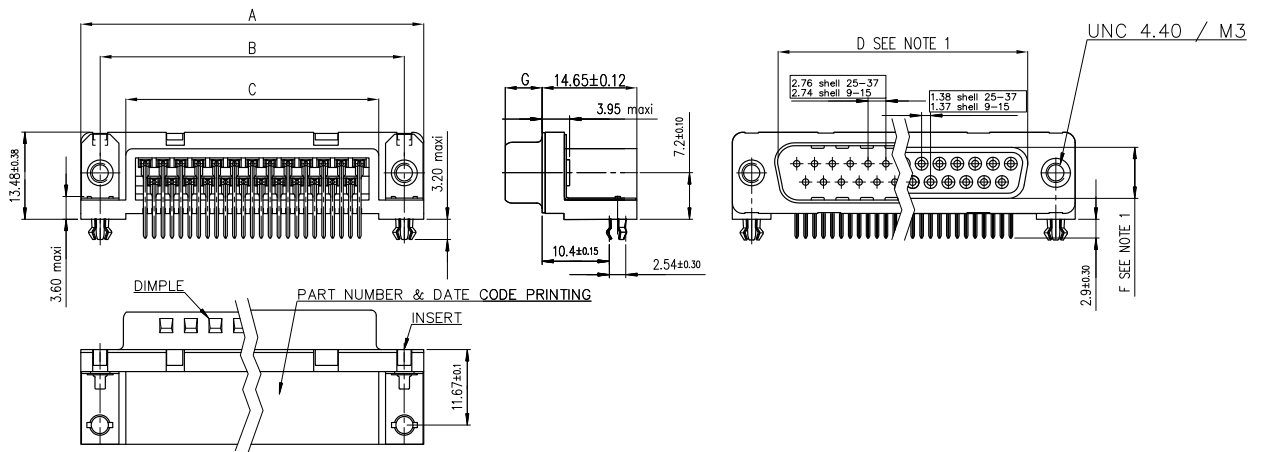


**► D-SUBMINIATURE (D-SUB)
ECONOMY RANGE CONNECTORS**

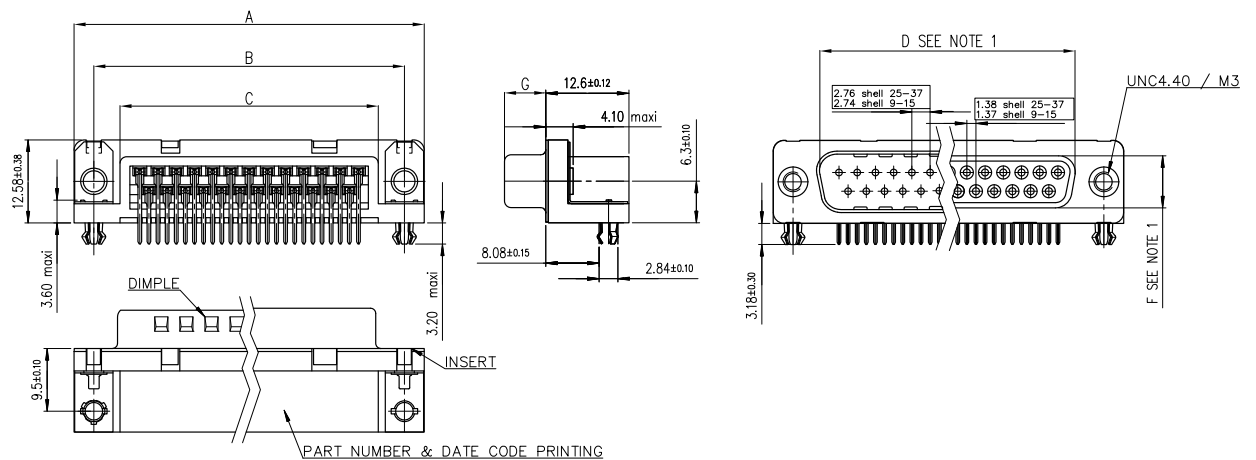
SHELL SIZE		A±0.38	B±0.12	C±0.10	D±0.25	E±0.07	F	G
09	P	30.81	24.99	16.96	16.79	10.96	8.35±0.12	5.90±0.15
	S	30.81	24.99	16.96	16.21	10.96	7.89±0.13	6.17±0.12
15	P	39.14	33.32	25.18	25.12	19.18	8.35±0.12	5.90±0.15
	S	39.14	33.32	25.18	24.54	19.18	7.89±0.13	6.17±0.12
25	P	53.03	47.04	39.12	38.84	33.12	8.35±0.12	5.70±0.25
	S	53.03	47.04	39.12	38.25	33.12	7.89±0.13	6.17±0.12
37	P	69.32	63.50	55.68	55.30	49.68	8.35±0.12	5.70±0.25
	S	69.32	63.50	55.68	54.71	49.68	7.89±0.13	6.17±0.12

All dimensions in mm.

Europe style



US style



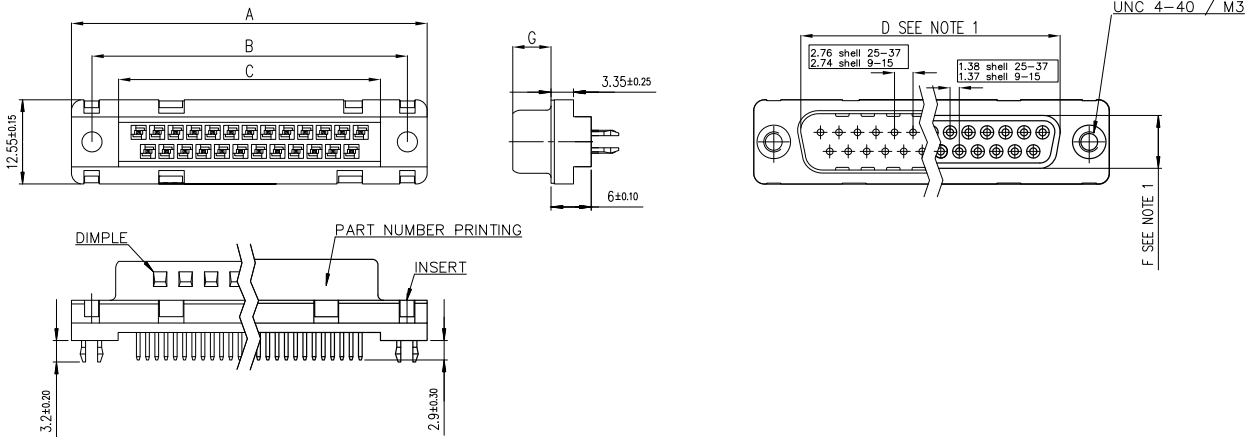
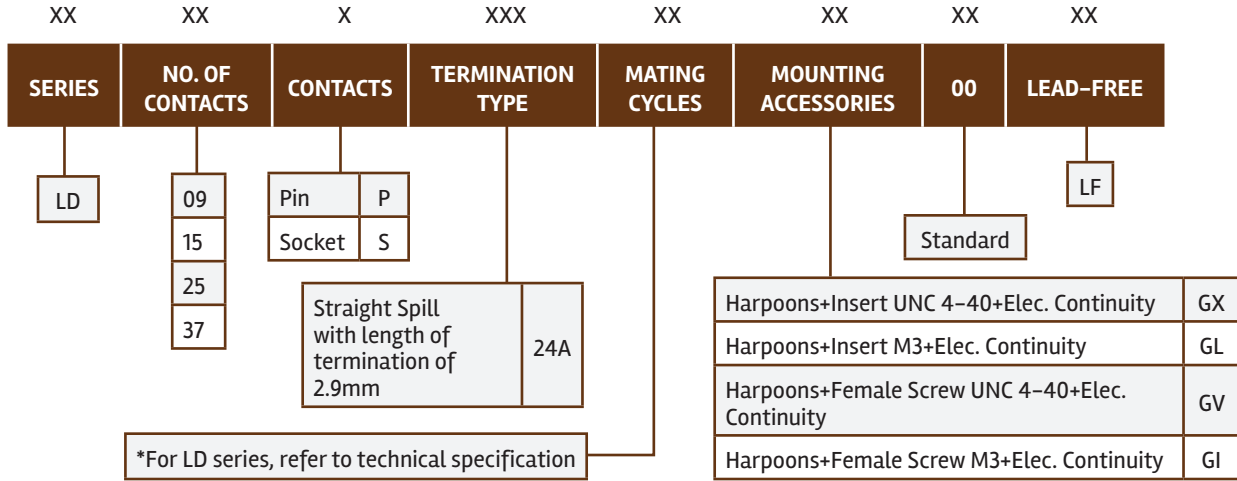
For more information,
please contact: Communications@fci.com
or visit us at www.fci.com

Disclaimer

Please note that the above information is subject to change without notice.

**D-SUBMINIATURE (D-SUB)
ECONOMY RANGE CONNECTORS**

**D-SUB (ECONOMY) STRAIGHT
PART NUMBER SELECTOR**



SHELL SIZE		A±0.38	B±0.12	C±0.10	D±0.25	E±0.07	F	G
09	P	30.81	24.99	16.96	16.79	10.96	8.35±0.12	5.90±0.15
	S	30.81	24.99	16.96	16.21	10.96	7.89±0.13	6.17±0.12
15	P	39.14	33.32	25.18	25.12	19.18	8.35±0.12	5.90±0.15
	S	39.14	33.32	25.18	24.54	19.18	7.89±0.13	6.17±0.12
25	P	53.03	47.04	39.12	38.84	33.12	8.35±0.12	5.70±0.25
	S	53.03	47.04	39.12	38.25	33.12	7.89±0.13	6.17±0.12
37	P	69.32	63.50	55.68	55.30	49.68	8.35±0.12	5.70±0.25
	S	69.32	63.50	55.68	54.71	49.68	7.89±0.13	6.17±0.12

For more information,
please contact: Communications@fci.com
or visit us at www.fci.com

Disclaimer
Please note that the above information is subject to change without notice.

**▶ D-SUBMINIATURE (D-SUB)
ECONOMY RANGE CONNECTORS**

D-SUB (ECONOMY) CABLE CONNECTORS

SIGNAL

- Solder Bucket series

Description	Standard Part Numbers
09 Way Socket Solder Bucket	DE09S064TLF
09 Way Pin Solder Bucket	DE09P064TXLF
15 Way Socket Solder Bucket	DA15S064TLF
15 Way Pin Solder Bucket	DA15P064TXLF
25 Way Socket Solder Bucket	DB25S064TLF
25 Way Pin Solder Bucket	DB25P064TXLF
37 Way Socket Solder Bucket	DC37S064TLF
37 Way Pin Solder Bucket	DC37P064TXLF
50 Way Socket Solder Bucket	DD50S064TLF
50 Way Pin Solder Bucket	DD50P064TXLF



- Crimp 8656 series

Description	Standard Part Numbers	Description	Crimp Contact Part Numbers
09 Way Socket, Crimp	865609SLTLF	Pin 24/28 AWG, Pack: 500/Box	8656350064LF
09 Way Pin, Crimp	865609PLTXLF	Pin 24/28 AWG, Pack: 5000/Reel	86564510064LF
15 Way Socket, Crimp	865615SLTLF	Socket 24/28 AWG, Pack: 500/Box	8656351064LF
15 Way Pin, Crimp	865615PLTXLF	Socket 24/28 AWG, Pack: 5000/Reel	86566510064LF
25 Way Socket, Crimp	865625SLTLF	-	-
25 Way Pin, Crimp	865625PLTXLF	-	-
37 Way Socket, Crimp	865637SLTLF	-	-
37 Way Pin, Crimp	865637PLTXLF	-	-



▶ D-SUBMINIATURE (D-SUB) ECONOMY RANGE CONNECTORS

POWER

- DW series – Solder / Crimp

Description	Standard Part Numbers	Description	Power Contact Numbers
Power Cable Connector 3W3 Socket	DA3W3SA00LF	10A Socket, Solder Bucket	8638PSS1005LF
Power Cable Connector 3W3 Pin	DA3W3PA00LF	10A Pin, Solder Bucket	8638PPS1005LF
Power Cable Connector 7W2 Socket	DA7W2SA00LF	40A Socket, Solder Bucket	8638PSS4005LF
Power Cable Connector 7W2 Pin	DA7W2PA00LF	40A Pin, Solder Bucket	8638PPS4005LF
Power Cable Connector 8W8 Socket	DC8W8SA00LF	10A Socket, Crimp	8638PSC1005LF
Power Cable Connector 8W8 Pin	DC8W8PA00LF	10A Pin, Crimp	8638PPC1005LF
Power Cable Connector 5W5 Socket	DB5W5SA00LF	20A Socket, Crimp	8638PSC2005LF
Power Cable Connector 5W5 Pin	DB5W5PA00LF	20A Pin, Crimp	8638PPC2005LF



ACCESSORIES

Straight Exit Hoods

Material	Plastic		Metalized		Metallic
	Combined Hood	Universal Hood	Combined Hood	Universal Hood	
09 Way	8630CH09UNCLF	863093C09ALF	8655ZH0911SLLF	863093C09MLF	8655MH0901BLF
15 Way	8630CH15UNCLF	863093C15ALF	8655ZH1511SLLF	863093C15MLF	8655MH1501BLF
25 Way	8630CH25UNCLF	863093C25ALF	8655ZH2511SLLF	863093C25MLF	8655MH2501BLF
37 Way	8630CH37UNCLF	863093C37ALF	8655ZH3711SLLF	863093C37MLF	8655MH3701BLF



For more information,
please contact: Communications@fci.com
or visit us at www.fci.com

Disclaimer

Please note that the above information is subject to change without notice.

**▶ D-SUBMINIATURE (D-SUB)
ECONOMY RANGE CONNECTORS**

PART NUMBERS

D-Sub Right Angle – Europe style

Contacts	Description					Part Numbers
	With Harpoon	Male Connector	Female Connector	UNC 4–40 Female Screw Lock	UNC 4–40 Threaded Insert	
9	✓	✓		✓		LD09P13A4GV00LF
	✓	✓			✓	LD09P13A4GX00LF
	✓		✓	✓		LD09S13A4GV00LF
	✓		✓		✓	LD09S13A4GX00LF
15	✓	✓		✓		LD15P13A4GV00LF
	✓	✓			✓	LD15P13A4GX00LF
	✓		✓	✓		LD15S13A4GV00LF
	✓		✓		✓	LD15S13A4GX00LF
25	✓	✓		✓		LD25P13A4GV00LF
	✓	✓			✓	LD25P13A4GX00LF
	✓		✓	✓		LD25S13A4GV00LF
	✓		✓		✓	LD25S13A4GX00LF
37	✓	✓		✓		LD37P13A4GV00LF
	✓	✓			✓	LD37P13A4GX00LF
	✓		✓	✓		LD37S13A4GV00LF
	✓		✓		✓	LD37S13A4GX00LF

D-Sub Right Angle – US style

Contacts	Description					Part Numbers
	With Harpoon	Male Connector	Female Connector	UNC 4–40 Female Screw Lock	UNC 4–40 Threaded Insert	
9	✓	✓		✓		LD09P33E4GV00LF
	✓	✓			✓	LD09P33E4GX00LF
	✓		✓	✓		LD09S33E4GV00LF
	✓		✓		✓	LD09S33E4GX00LF
15	✓	✓		✓		LD15P33E4GV00LF
	✓	✓			✓	LD15P33E4GX00LF
	✓		✓	✓		LD15S33E4GV00LF
	✓		✓		✓	LD15S33E4GX00LF
25	✓	✓		✓		LD25P33E4GV00LF
	✓	✓			✓	LD25P33E4GX00LF
	✓		✓	✓		LD25S33E4GV00LF
	✓		✓		✓	LD25S33E4GX00LF
37	✓	✓		✓		LD37P33E4GV00LF
	✓	✓			✓	LD37P33E4GX00LF
	✓		✓	✓		LD37S33E4GV00LF
	✓		✓		✓	LD37S33E4GX00LF

**D-SUBMINIATURE (D-SUB)
ECONOMY RANGE CONNECTORS**



PART NUMBER

D-Sub Straight

Contacts	Description					Part Numbers
	With Harpoon	Male Connector	Female Connector	UNC 4-40 Female Screw Lock	UNC 4-40 Threaded Insert	
9	✓	✓		✓		LD09P24A4GV00LF
	✓	✓			✓	LD09P24A4GX00LF
	✓		✓	✓		LD09S24A4GV00LF
	✓		✓		✓	LD09S24A4GX00LF
15	✓	✓		✓		LD15P24A4GV00LF
	✓	✓			✓	LD15P24A4GX00LF
	✓		✓	✓		LD15S24A4GV00LF
	✓		✓		✓	LD15S24A4GX00LF
25	✓	✓		✓		LD25P24A4GV00LF
	✓	✓			✓	LD25P24A4GX00LF
	✓		✓	✓		LD25S24A4GV00LF
	✓		✓		✓	LD25S24A4GX00LF
37	✓	✓		✓		LD37P24A4GV00LF
	✓	✓			✓	LD37P24A4GX00LF
	✓		✓	✓		LD37S24A4GV00LF
	✓		✓		✓	LD37S24A4GX00LF

Disclaimer

▶ D-SUBMINIATURE (D-SUB) ECONOMY RANGE CONNECTORS

TARGET MARKETS/APPLICATIONS

- Consumer
 - Set-top Box
- Data
 - Less demanding Datacom Device
 - Dot Matrix Printer
- Industrial & Instrumentation
 - Energy meter
 - Low end Control Drive
 - Low end Power Supplies
 - POS & Handheld Terminal
 - Parking Meter

INODSUBECON0515EA4

Disclaimer

Please note that the above information is subject to change without notice.