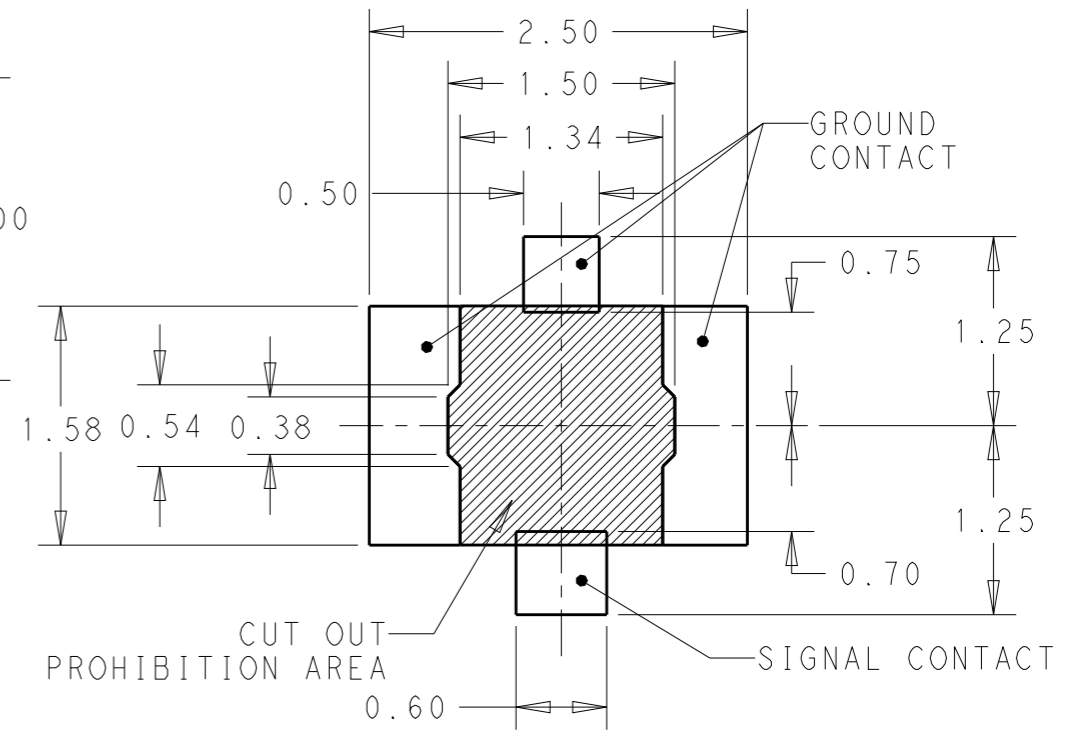
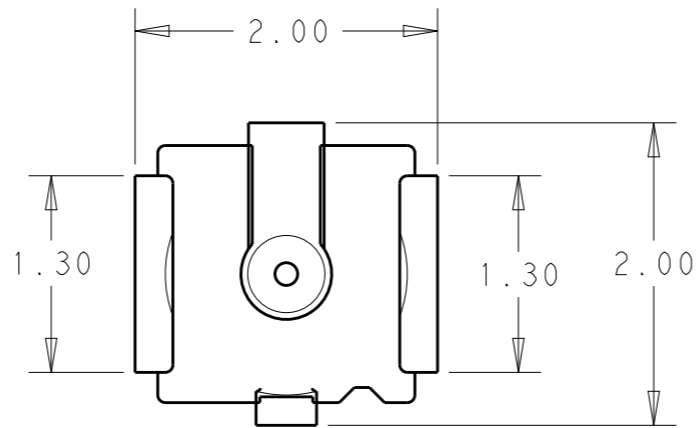
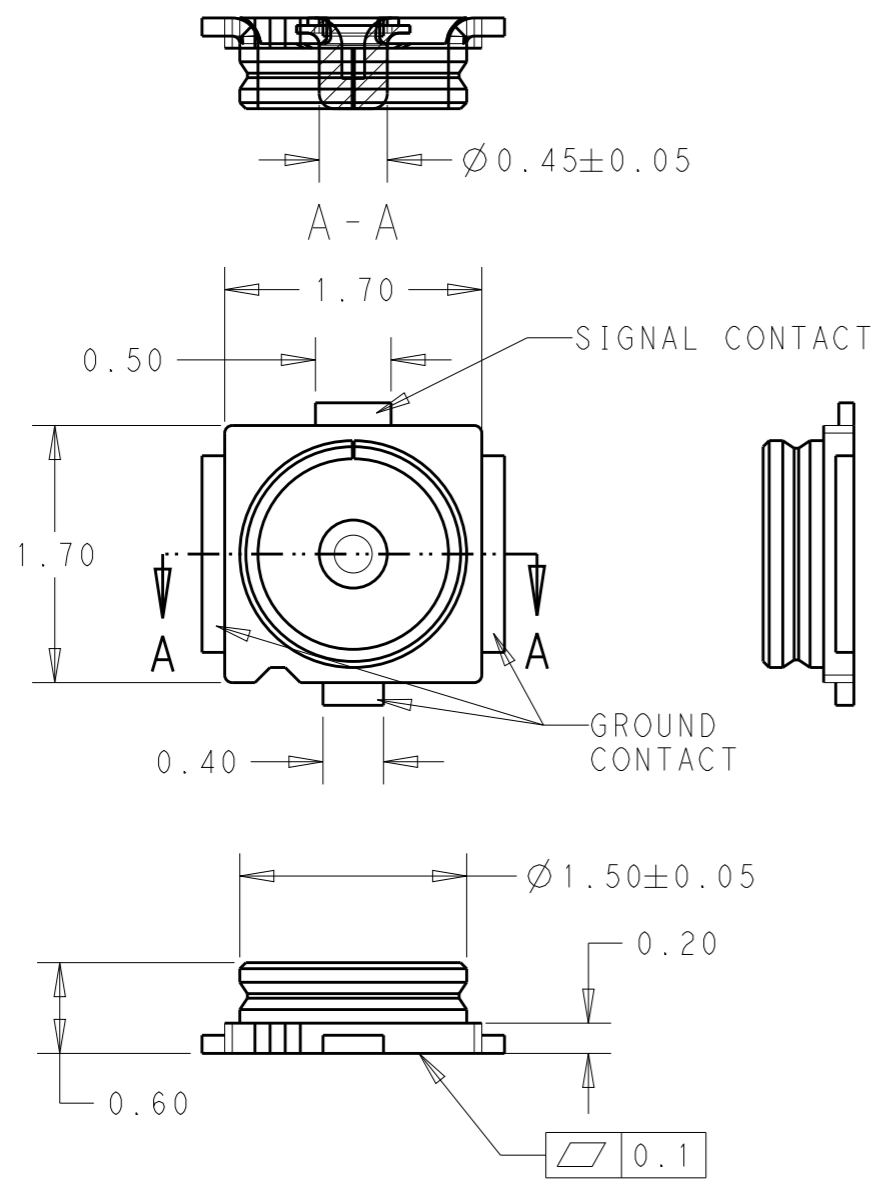


REVISIONS					
P	LTR	DESCRIPTION	DATE	DWN	APVD
	A4	MODIFY TITLE	28NOV2018	H.T	H.T

AS SHOWN : 2334884-1



- TECHNICAL PARAMETERS
 FREQUENCY RANGE : 0.6GHz
 NOMINAL CHARACTERISTICS IMPEDANCE : 50Ω
 INSULATION RESISTANCE : 500MΩMIN
 INITIAL CONTACT RESISTANCE
 20mΩMAX(INNER CONTACT) / 20mΩMAX(OUT CONTACT)
 WITH STANDING VOLTAGE : 200V AC 1min
 OPERATING TEMPERATURE : -40°C ~ +85°C
- ELECTRICAL PERFORMANCE
 VSWR : 1.4MAX (RANGE : 0~6GHz)

STANDARD PCB LAYOUT
 SCALE : 20:1

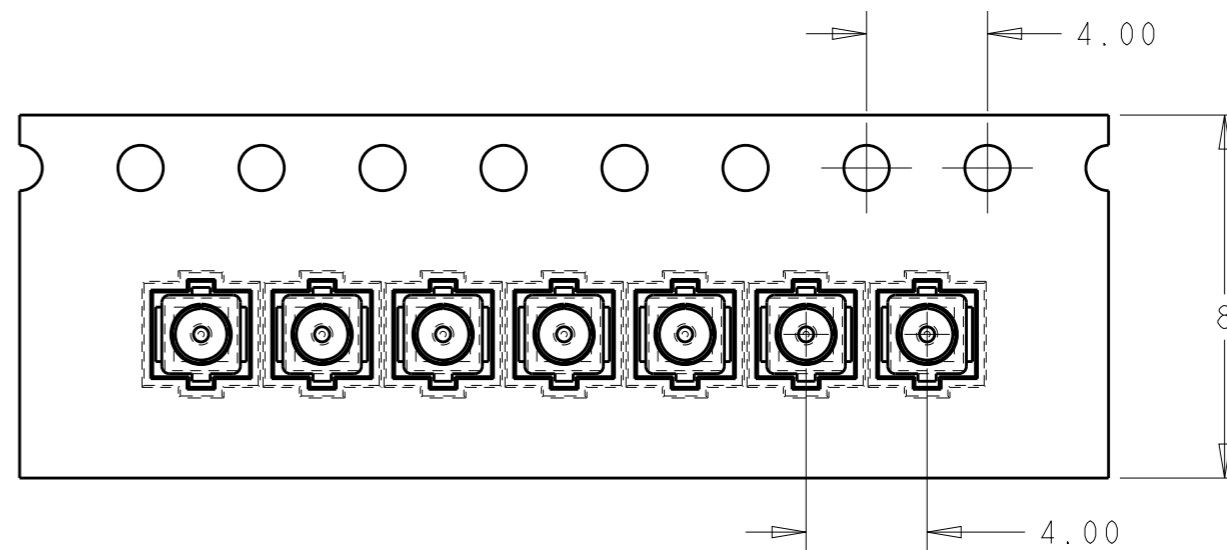
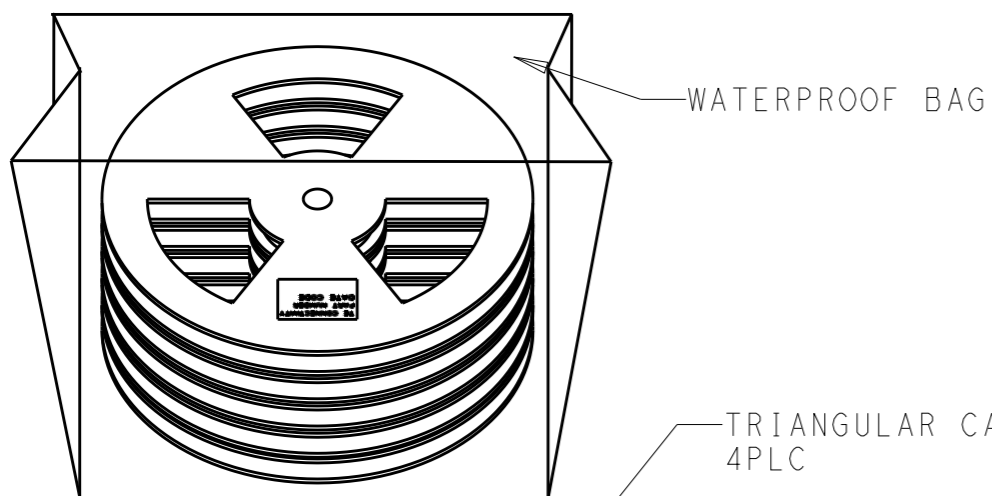
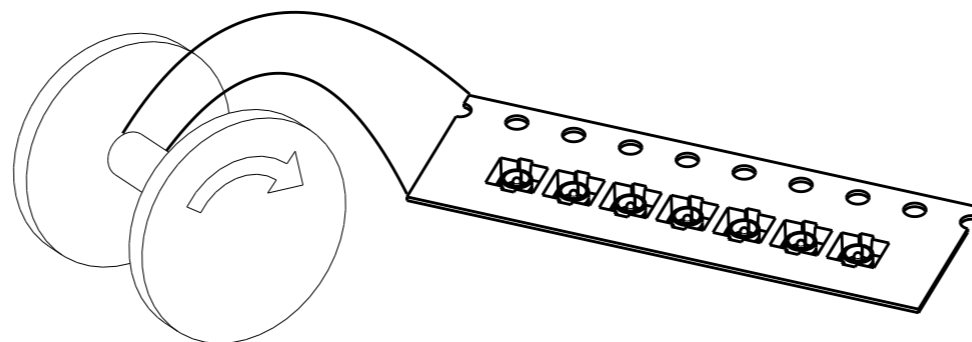
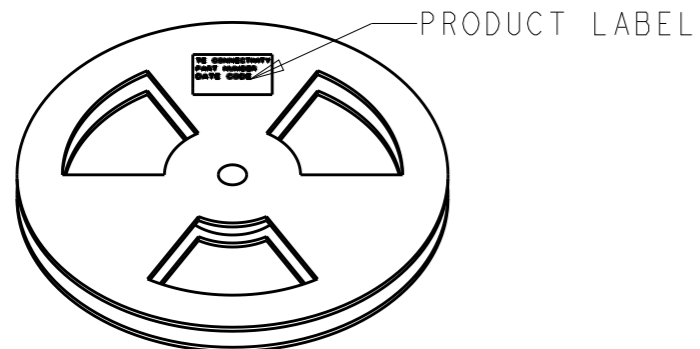
1	CENTER CONTACT	3
1	DIELECTRIC	2
1	SHELL	1
QTY	DESCRIPTION	ITEM

THIS DRAWING IS A CONTROLLED DOCUMENT.		DWN H. TAMURA	17MAY2018		
DIMENSIONS: mm		CHK -	APVD -		
		TOLERANCES UNLESS OTHERWISE SPECIFIED: ±0.15 0 PLC ±- 1 PLC ±- 2 PLC ±- 3 PLC ±- 4 PLC ±- ANGLES ±3°		NAME UMCC MICRO-COAX RECEPTACLE GEN 4 COMPATIBLE WITH MHF4	
MATERIAL TBD		FINISH -		PRODUCT SPEC - APPLICATION SPEC - WEIGHT -	
CUSTOMER DRAWING				SIZE A3	CAGE CODE 00779
				DRAWING NO C=2334884	RESTRICTED TO -
				SCALE 20:1	SHEET 1 OF 2
				REV A7	

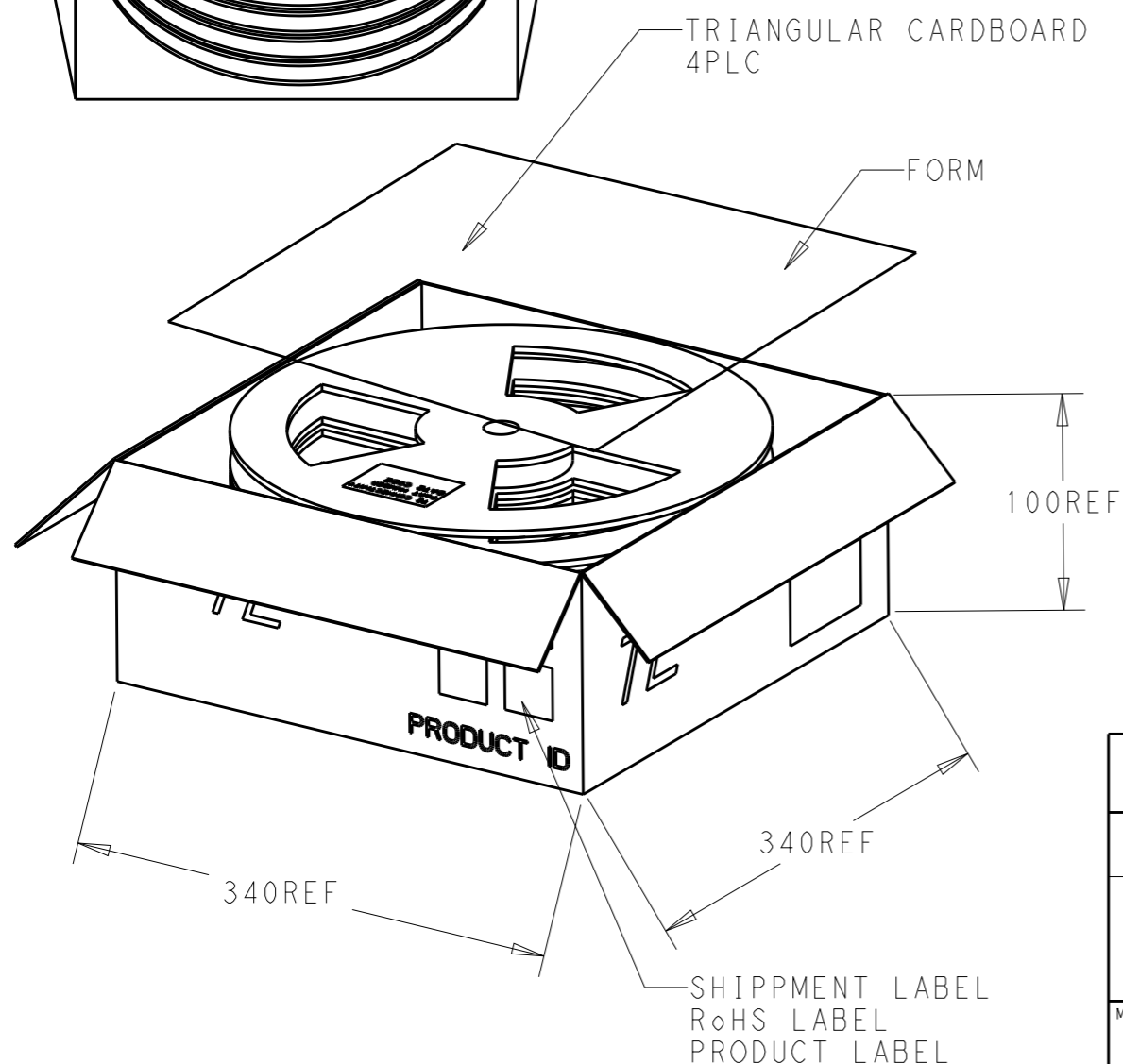
REVISIONS

P	LTR	DESCRIPTION	DATE	DWN	APVD
-	-	SEE SHEET 1	-	-	-

NOTE
 10000 PCS / REEL
 6 REEL / BOX
 60000 PCS / BOX
 REEL DIM : 330mm
 MATERIAL : PS 0.3mm



➔ USER DIRECTION OF UNREELING



THIS DRAWING IS A CONTROLLED DOCUMENT.		DWN H. TAMURA	17MAY2018	TE Connectivity	
DIMENSIONS: mm		CHK -	APVD -		
TOLERANCES UNLESS OTHERWISE SPECIFIED:		PRODUCT SPEC -		NAME UMCC MICRO-COAX RECEPTACLE GEN 4 COMPATIBLE WITH MHF4	
0 PLC ±.05		APPLICATION SPEC -		SIZE A3	
1 PLC ±.02		WEIGHT -		CAGE CODE 00779	
2 PLC ±.01		CUSTOMER DRAWING		DRAWING NO C-2334884	
3 PLC ±.01		SCALE NTS		RESTRICTED TO -	
4 PLC ±.01		SHEET 2 OF 2		REV A7	
ANGLES ±3°		FINISH -			
MATERIAL TBD					