

PCB Connector Series

KLS1-2.54 Pitch=2.54mm TYPE

Electrical Specification:

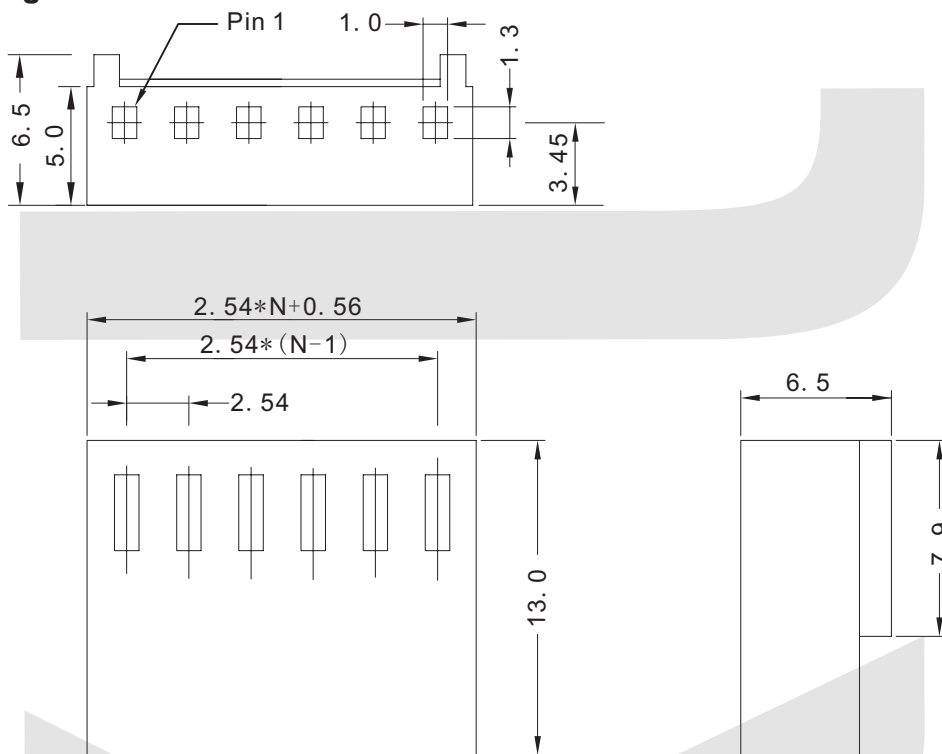
- Rated Voltage: 250V AC/DC
- Rated Current: 3A
- Contact Resistance: 0.02 Ohm max
- Insulation Resistance: 1000M Ohm min
- Withstand voltage: 1000V AC/MIN
- Temperature range for usage : -25°C~+85°C
- P.C board thickness : 0.8~1.6mm

Material:

- Housing: PA66 (PA66) UL94V-2
- Contacts: Brass or Phosphor Bronze
- Plating: Tin 50u" over 100u" nickel
- Wire range : AWG#30~#22



Housing



ORDER INFORMATION

Product NO.: KLS1-2.54-XX-H

Pitch: 2.54=2.54mm

Type: H=Housing
S=Straight Male pin
PIN Number: 02 ~ 20Pin

T=Terminal
R=High Right Male pin
R1=Low Right Male pin

PCB Connector Series

KLS1-2.54 Pitch=2.54mm TYPE

Electrical Specification:

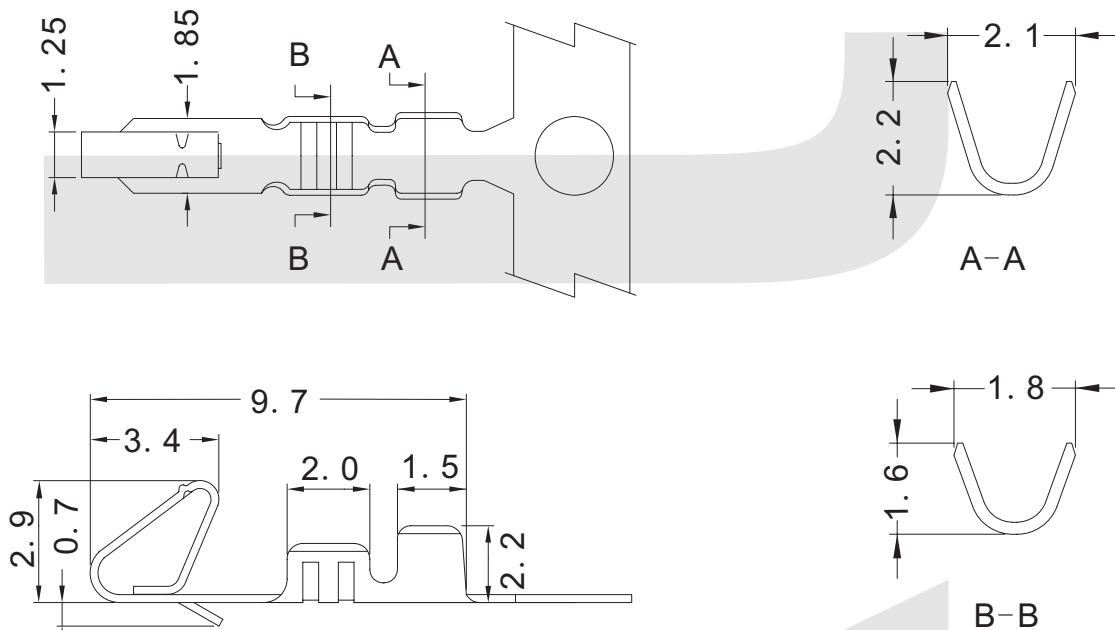
- Rated Voltage: 250V AC/DC
- Rated Current: 3A
- Contact Resistance: 0.02 Ohm max
- Insulation Resistance: 1000M Ohm min
- Withstand voltage: 1000V AC/MIN
- Temperature range for usage : -25°C~+85°C
- P.C board thickness : 0.8~1.6mm

Material:

- Housing: PA66 (PA66) UL94V-2
- Contacts: Brass or Phosphor Bronze
- Plating: Tin 50u" over 100u" nickel
- Wire range : AWG#30~#22



Terminal



ORDER INFORMATION

Product NO.: KLS1-2.54-T

Pitch: 2.54=2.54mm

Type: H=Housing
S=Straight Male pin
T=Terminal
R=High Right Male pin
R1=Low Right Male pin

PCB Connector Series

KLS1-2.54 Pitch=2.54mm TYPE

Electrical Specification:

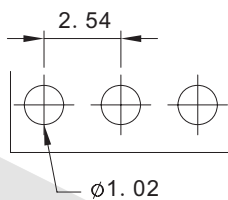
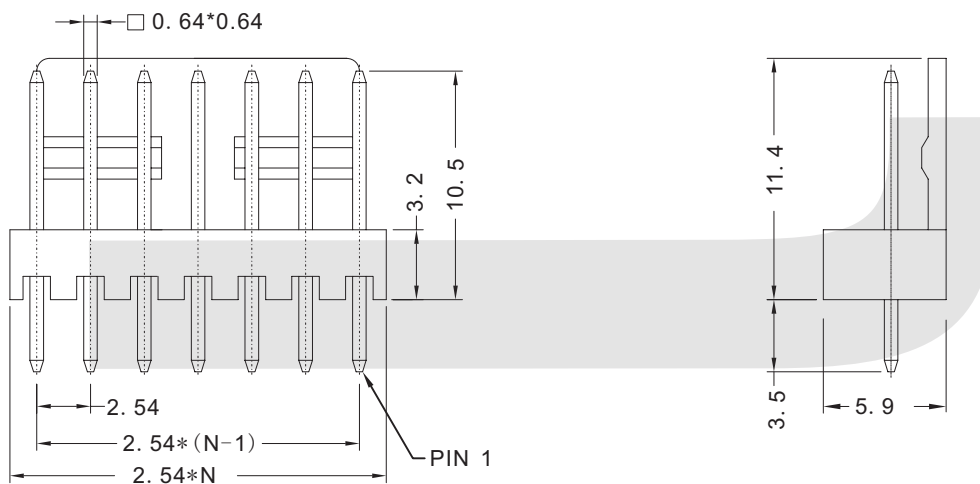
- Rated Voltage: 250V AC/DC
- Rated Current: 3A
- Contact Resistance: 0.02 Ohm max
- Insulation Resistance: 1000M Ohm min
- Withstand voltage: 1000V AC/MIN
- Temperature range for usage : -25°C~+85°C
- P.C board thickness : 0.8~1.6mm

Material:

- Housing: PA66 (PA66) UL94V-2
- Contacts: Brass or Phosphor Bronze
- Plating: Tin 50u" over 100u" nickel
- Wire range : AWG#30~#22



Straight



P. C. B. LAYOUT

ORDER INFORMATION

Product NO.: KLS1-2.54-XX-S

Pitch: 2.54=2.54mm

Type: H=Housing
S=Straight Male pin

PIN Number: 02 ~ 20Pin

T=Terminal
R=High Right Male pin
R1=Low Right Male pin

PCB Connector Series

KLS1-2.54 Pitch=2.54mm TYPE

Electrical Specification:

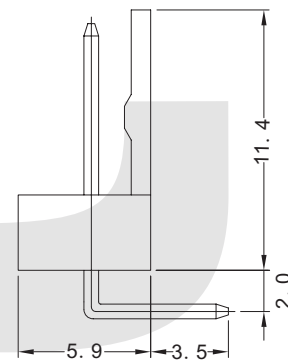
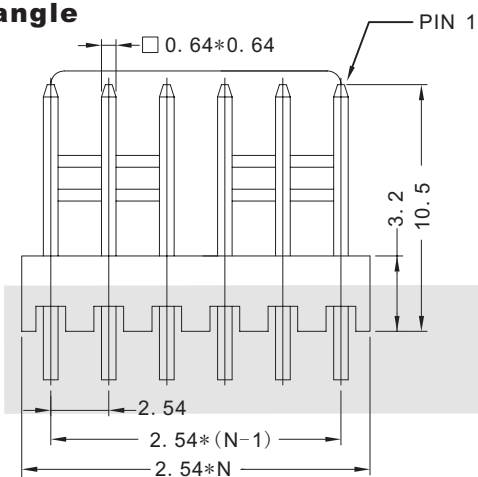
- Rated Voltage: 250V AC/DC
- Rated Current: 3A
- Contact Resistance: 0.02 Ohm max
- Insulation Resistance: 1000M Ohm min
- Withstand voltage: 1000V AC/MIN
- Temperature range for usage : -25°C~+85°C
- P.C board thickness : 0.8~1.6mm

Material:

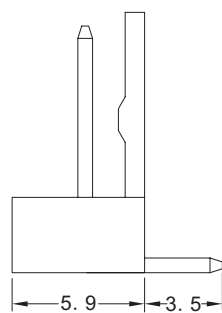
- Housing: PA66 (PA66) UL94V-2
- Contacts: Brass or Phosphor Bronze
- Plating: Tin 50u" over 100u" nickel
- Wire range : AWG#30~#22



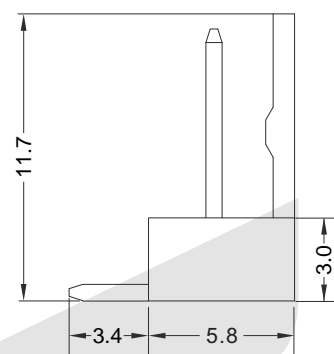
Right angle



R Type



R1 Type



R2 Type

ORDER INFORMATION

Product NO.: KLS1-2.54-XX-R

Pitch: 2.54=2.54mm

Type: H=Housing
S=Straight Male pin
PIN Number: 02 ~ 20Pin

T=Terminal
R=High Right Male pin
R1=Low Right Male pin