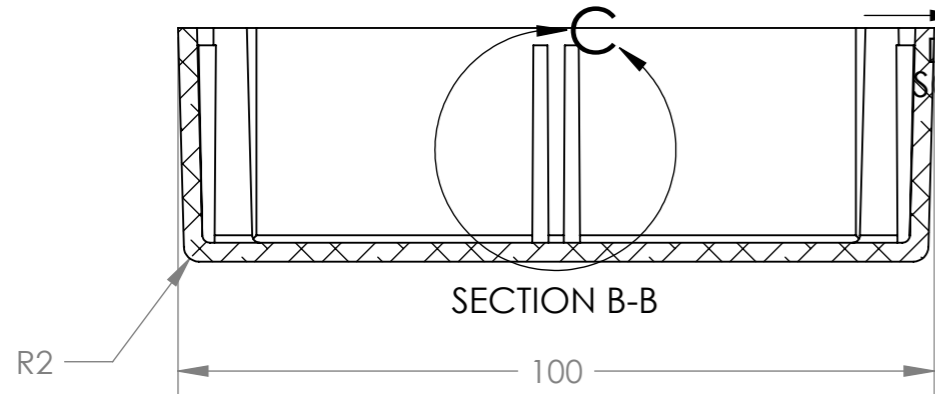
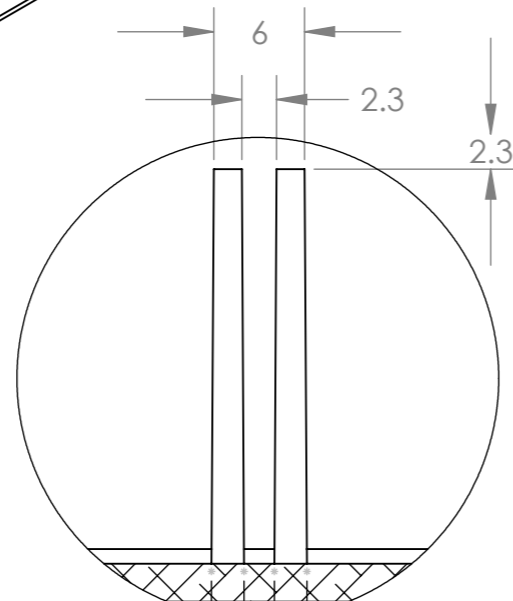


4X $\varnothing 2.9 \nabla 13$
M3.5X0.6 - 4H $\nabla 12$

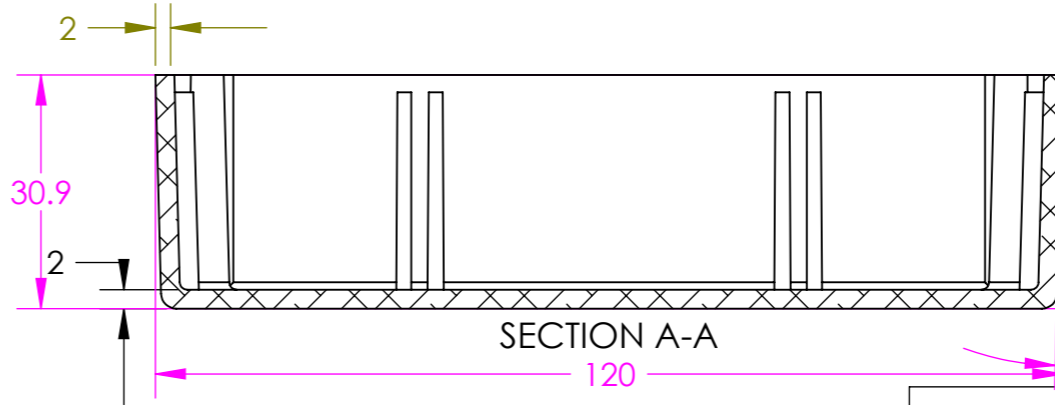


SECTION B-B

R2

100

DETAIL C
SCALE 2:1



SECTION A-A

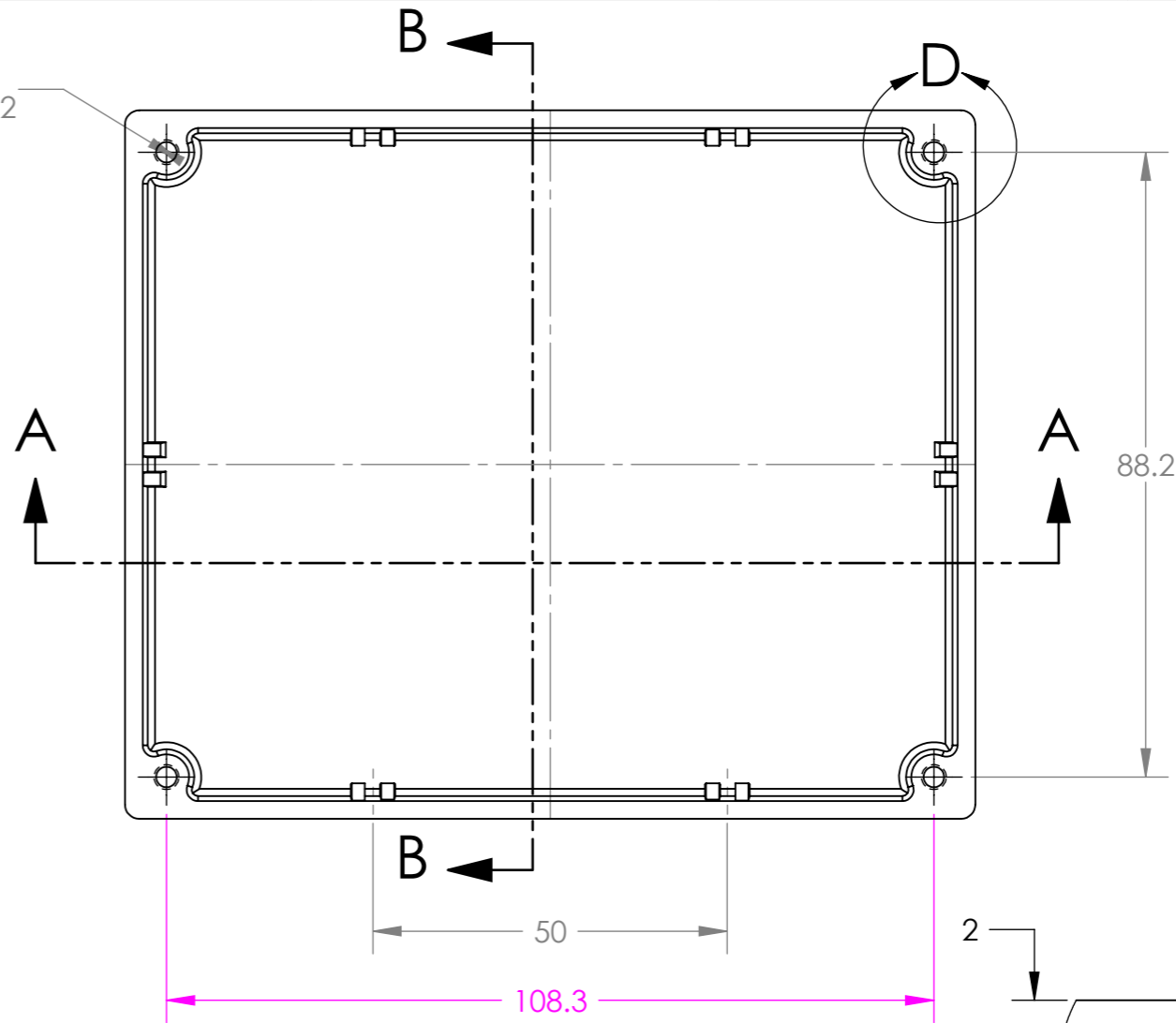
2

30.9

2

120

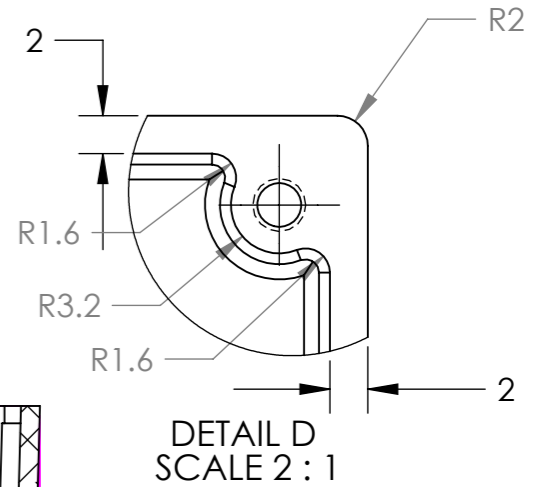
1.50°



108.3

50

88.2



DETAIL D
SCALE 2:1

R2

R1.6

R3.2

R1.6

2

	GENERAL PURPOSE		
SIZE	PLAIN	POWDER COATED	NYLON COATED
M	459-0120	461-0120	462-0120
SEALED			
M	460-0120	453-0120	454-0120

Tel No.+44(0)1724273200 Website www.dem-uk.com

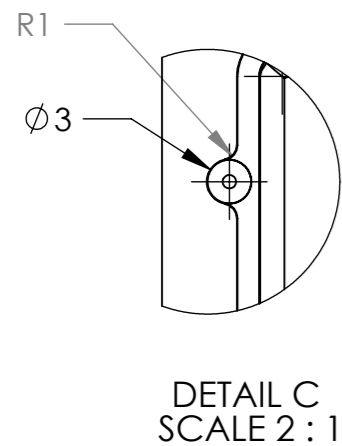
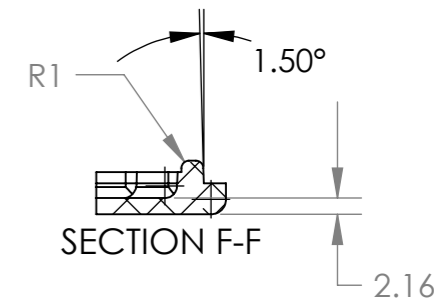
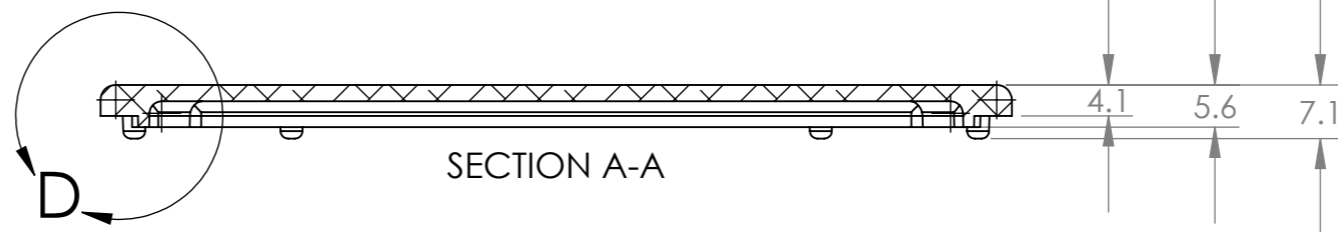
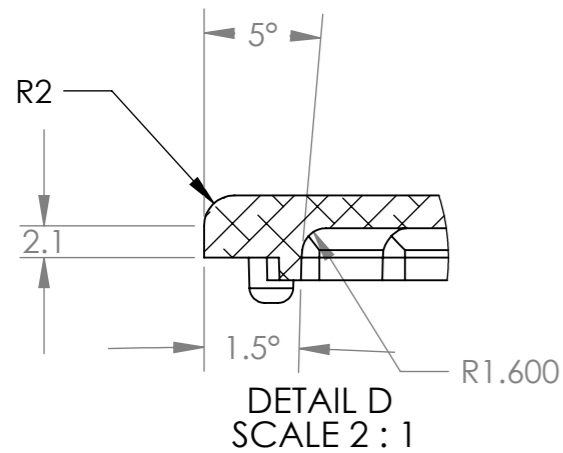


DEM Manufacturing, Deltron Emcon House
Hargreaves Way, Sawcliffe Ind. Park,
Scunthorpe, North Lincolnshire, DN15 8RF, UK

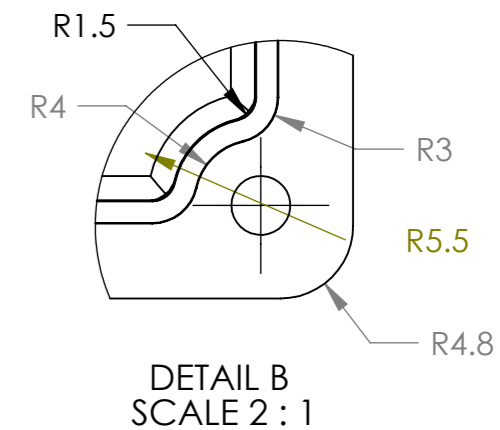
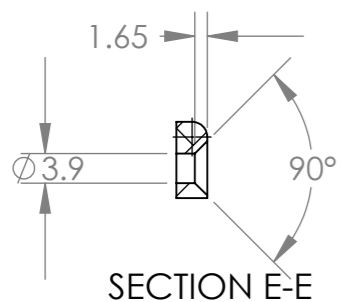
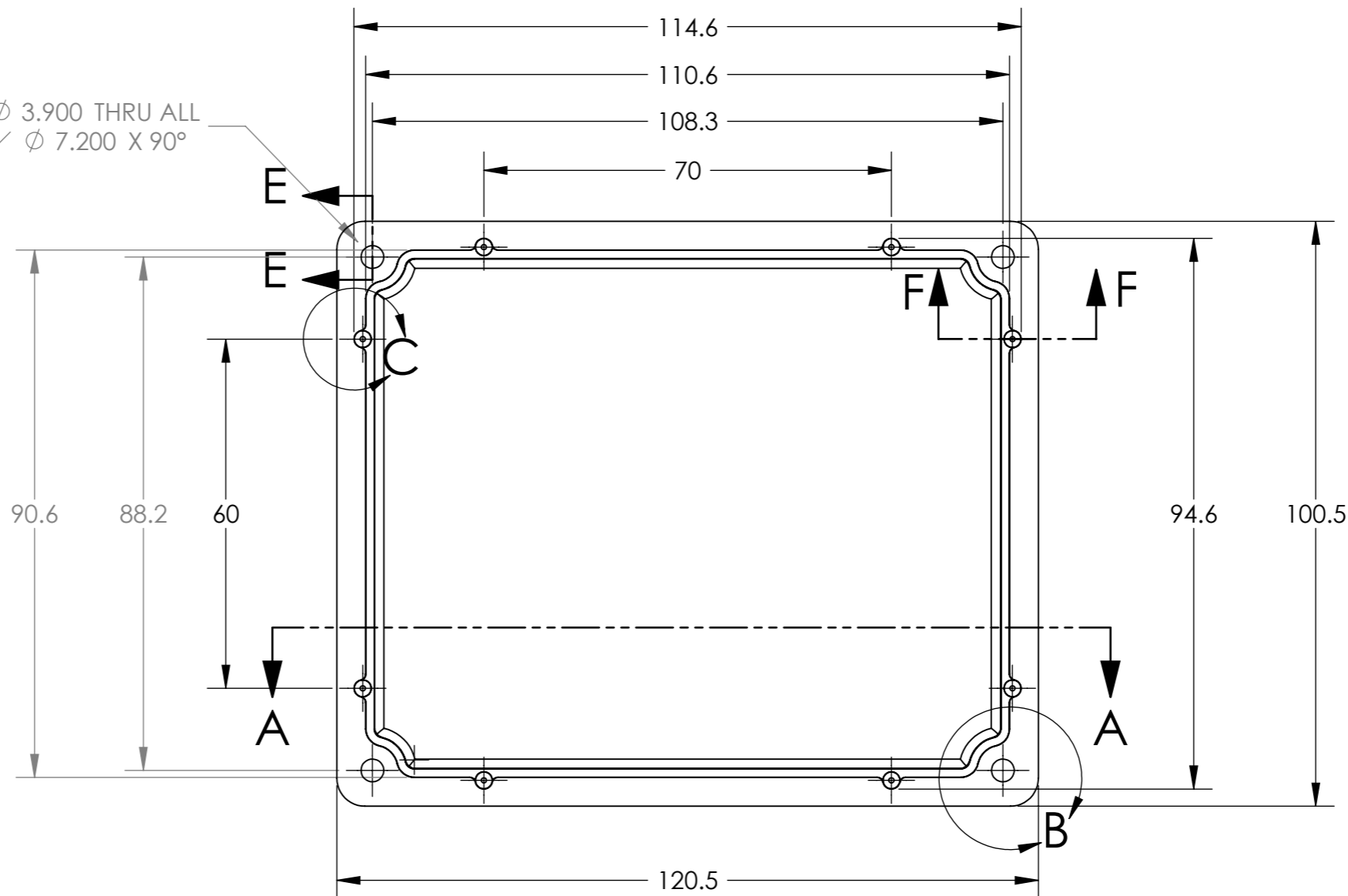
PROPRIETARY AND CONFIDENTIAL
THE INFORMATION CONTAINED IN THIS DRAWING IS THE SOLE PROPERTY OF
ALPHA 3 MANUFACTURING.
ANY REPRODUCTION IN PART OR AS A WHOLE WITHOUT THE WRITTEN
PERMISSION OF
ALPHA 3 MANUFACTURING IS PROHIBITED.

UNLESS OTHERWISE SPECIFIED:
DIMENSIONS ARE IN MILLIMETRES
LINEAR TOLERANCE:
NO DECIMAL PLACES $\pm 0.5\text{mm}$
1 DECIMAL PLACE $\pm 0.25\text{mm}$
2 DECIMAL PLACES $\pm 0.125\text{mm}$
ANGULAR TOLERANCE: $\pm 1^\circ$

FINISH	.	DEBURR AND BREAK SHARP EDGES	DRAWN BY B.SILLENCE	TITLE PROCUREMENT SPECIFICATION FOR 'M' SIZE DIECAST BOX
			APPROVED BY B.SILLENCE	
	IF IN DOUBT ASK DO NOT SCALE DRAWING		THIRD ANGLE PROJECTION	DRAWING NO. M BOX
MATERIAL	DieCast Aluminium Alloy		SHEET 1 OF 1 SCALE 1:1 A3	ISSUE 01 Release



4X ϕ 3.900 THRU ALL
 \surd ϕ 7.200 X 90°



Tel No.+44(0)1724273200 Website www.dem-uk.com



PROPRIETARY AND CONFIDENTIAL
 THE INFORMATION CONTAINED IN THIS DRAWING IS THE SOLE PROPERTY OF ALPHA 3 MANUFACTURING.
 ANY REPRODUCTION IN PART OR AS A WHOLE WITHOUT THE WRITTEN PERMISSION OF ALPHA 3 MANUFACTURING IS PROHIBITED.



DEM Manufacturing, Deltron Emcon House
 Hargreaves Way, Sawcliffe Ind. Park,
 Scunthorpe, North Lincolnshire, DN15 8RF, UK

UNLESS OTHERWISE SPECIFIED:
 DIMENSIONS ARE IN MILLIMETRES
 LINEAR TOLERANCE:
NO DECIMAL PLACES $\pm 0.5\text{mm}$
1 DECIMAL PLACE $\pm 0.25\text{mm}$
2 DECIMAL PLACES $\pm 0.125\text{mm}$
 ANGULAR TOLERANCE: $\pm 1^\circ$

FINISH	DEBURR AND BREAK SHARP EDGES	DRAWN BY	B.SILLENC	TITLE	PROCUREMENT SPECIFICATION FOR 'M' SIZE BOX LID	
		APPROVED BY	B.SILLENC	DRAWING NO.	M LID	ISSUE 04
IF IN DOUBT ASK DO NOT SCALE DRAWING		THIRD ANGLE PROJECTION	SHEET 1 OF 1			Release
MATERIAL	DieCast Aluminium Alloy		SCALE 1:1			
			A3			