

©19 BY AMP INCORPORATED. ALL RIGHTS RESERVED. AMP PRODUCTS COVERED BY PATENTS AND/OR PATENTS PENDING.

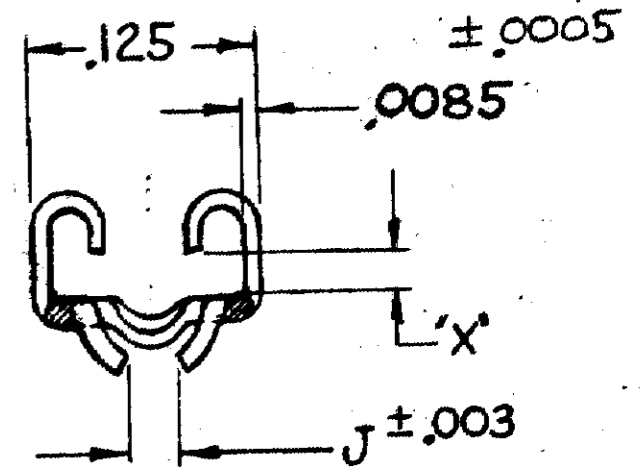
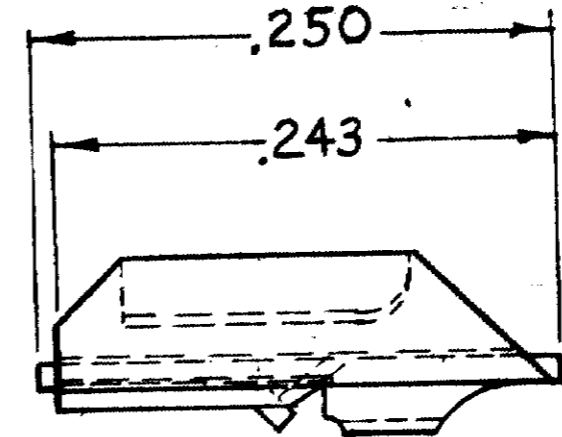
| REVISIONS | | | DATE | APPROVED |
|-----------|-----|-------------------------------|---------|------------|
| ZONE | LTR | DESCRIPTION | | |
| | L | REDRAWN-TPC 0401 | 3/27/67 | RHW |
| | M | REVISED ECN TP 0329 <i>rw</i> | 4/10/67 | RHW |
| | N | REVISED CHARTS ECN TP-2392 | 3-14-73 | RRL |
| | P | INACTIVE FEK WP2959 | 6-20-75 | <i>ymk</i> |

| WIRE SIZE (AWG) | CLIP | "J" | PNEUMATIC TOOL | MANUAL SERVICE TOOL |
|-----------------|------------|------|-----------------|---------------------|
| | COLOR CODE | | 1000 CLIPS/REEL | 40 STRIPS 25 EACH |
| 20 | YELLOW | .051 | 2-330854-6 | 2-330854-4 |
| 24 | RED | .029 | 2-330854-9 | 4-330854-1 |

CLIP SELECTION CHART

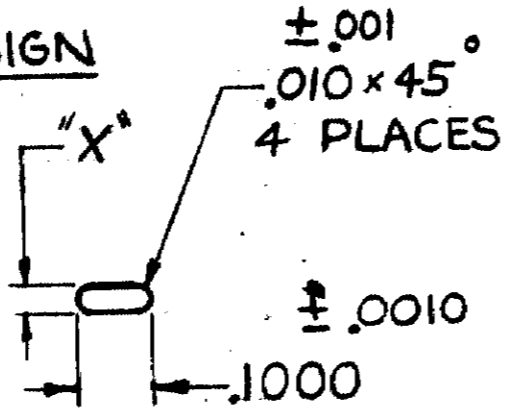
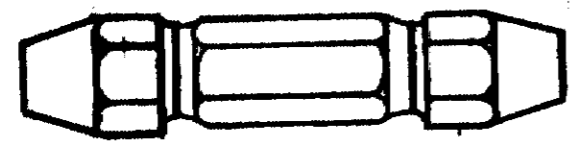
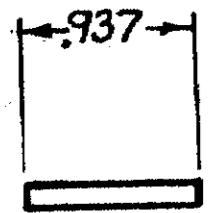
| INSULATION DIA. RANGE | MANDREL NUMBER | |
|-----------------------|--------------------------|-----------------------------|
| | PNEUMATIC TOOL (69585-1) | MANUAL SERVICE TOOL (69702) |
| .066-.075 | 69542 | 69561-1 |
| .076-.085 | 69542-1 | 69561-1 |
| .055-.065 | 69542-8 | 69561-4 |

MANDREL SELECTION CHART



NOTE: 1. TIN PLATE (MIL-T-10727) .0001 MIN THK

SUGGESTED GAGE DESIGN



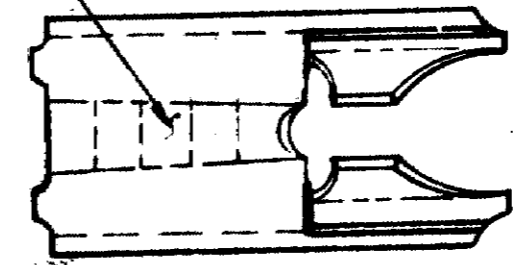
SIDE VIEW OF GAGE DOUBLE END HANDLE A.G.D STD. END VIEW OF GAGE

SCALE: 1-1

NOTE: GAGE TO VERIFY "X" DIM ONLY

| DIM | GO | NO GO |
|-----|-------|-------|
| "X" | .0214 | .0261 |

AMP IDENTIFYING CODE (SEE TABLE)



INACTIVE
DATE 6-20-75
WF2959

| | | |
|--|-----------------------------|--|
| UNLESS OTHERWISE SPECIFIED DIM. ARE IN INCHES. TOLERANCES ON: DECIMALS ±.008 ANGLES ± 5° | CONTRACT NO. # | AMP AMP INCORPORATED HARRISBURG, PENNSYLVANIA |
| | OR <i>R Welsch</i> 3-23-67 | |
| MATERIAL PHOS BRONZE (QQ-P-750) | CHK <i>R Welsch</i> 3/27/67 | NAME TERMI-POINT CLIP .031X.093 SYSTEM |
| HEAT TREAT | APPD <i>Evabel</i> 3-28-67 | SIZE B CODE IDENT NO. 00779 NUMBER 330854 |
| FINISH NOTE 1 | OTHER APPD | SCALE 10:1 WT CALC ACTUAL SHEET 1 OF 1 |

AMP INFO
LOC PRINT
AD251P