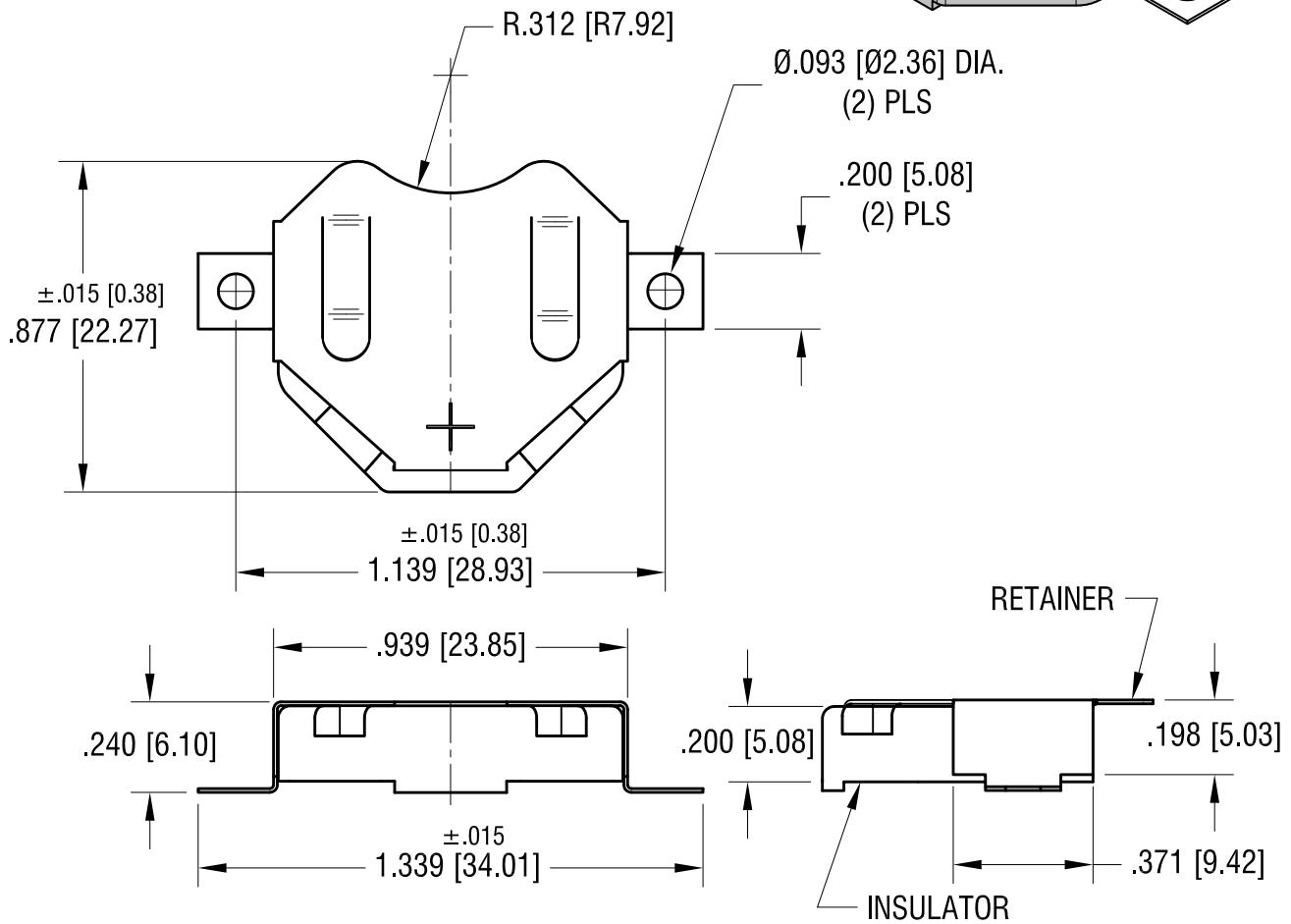
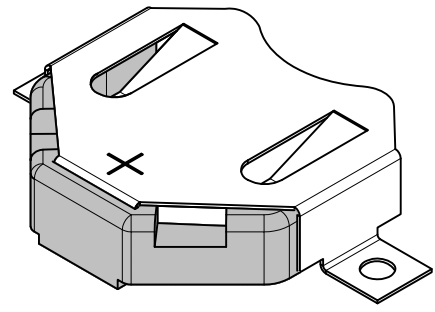
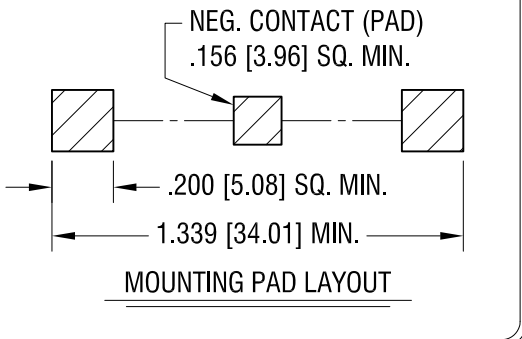


THIS DOCUMENT IS THE PROPERTY OF KEYSTONE ELECTRONICS CORP. AND SHALL NOT BE REPRODUCED, DISTRIBUTED OR USED AS A BASIS FOR MANUFACTURE WITHOUT PRIOR WRITTEN PERMISSION FROM KEYSTONE ELECTRONICS CORP.



NOTE:

1. CLIP MAT'L: .010 TH'K FULL HARD PHOSPHOR BRONZE
INSULATOR MAT'L: HIGH TEMPERATURE NYLON, UL 94V-0
COLOR: WHITE
2. CLIP FINISH: TIN-NICKEL PLATE

| | | | |
|-----------------------------------------------------------------|-----------------|--------|-------------|
| KEYSTONE ELECTRONICS CORP. | | | |
| www.keyelco.com • ASTORIA, N.Y. 11105-2017 • Tel (718) 956-8900 | | | |
| PART NAME | | | |
| SM COIN CELL CLIP FOR TWO 2020 OR 2025 | | | |
| MATERIAL | | | |
| AS NOTED | | | |
| FINISH | | DRN BY | DATE |
| AS NOTED | | NT | 11.17.09 |
| | | APP'D | SCALE |
| | | LN | 2X |
| TOLERANCES | INCH [MM] | CODE | DWG NO. |
| DECIMAL | ± .010 [± 0.25] | C | 3022 |
| ANGULAR | ± 1° | | |
| UNLESS OTHERWISE SPECIFIED | | | |

| | | | |
|------|-------------|------|--|
| DATE | DESCRIPTION | REV. | |
|------|-------------|------|--|

Mouser Electronics

Authorized Distributor

Click to View Pricing, Inventory, Delivery & Lifecycle Information:

[Keystone Electronics:](#)

[3022](#)