

## GENERAL DESCRIPTION

### AVX AA Series

#### Electrical Characteristics: AA101C103K4R

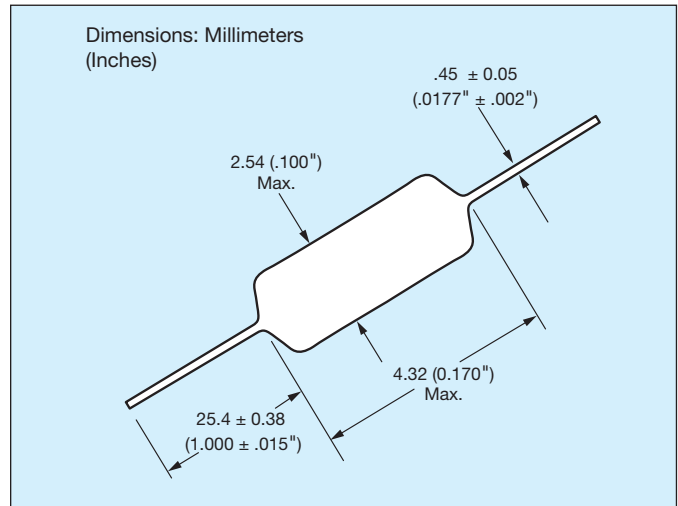
Capacitance @ 25°C, 1kHz, 1Vrms	0.0100μF
Capacitance Tolerance	±10 %
Dissipation Factor @ 25°C	2.5% Max
Rated Voltage	100Vdc
Dielectric Withstand Voltage	250Vdc
Insulation Resistance @ 25°C @ Rated Voltage	100000 Mohms

#### Temperature Characteristics:

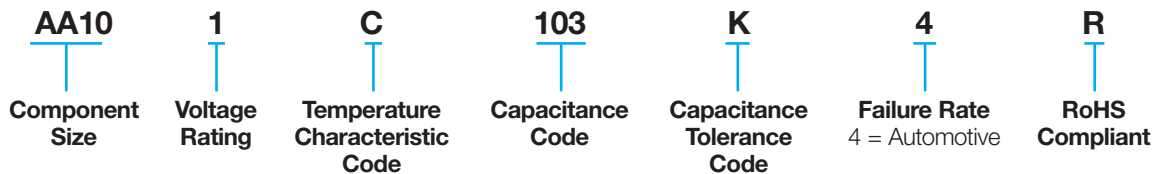
X7R (-55 to + 125°C ± 15% @ 0Vdc)

#### Lead Wire

Core	Steel
Plating	200-300 μ" Sn
Underlying	40-60 μ" Ni

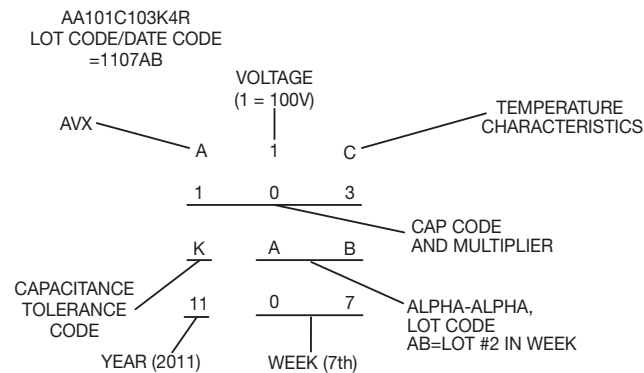


## HOW TO ORDER



## MARKING (EXAMPLE)

SpinGuard marking includes full date code/lot code identification. A first in the industry, this format provides complete traceability to all manufacturing processes involving the basic chip and final assembly. Total Shipment traceability is also provided.



## PACKAGING REQUIREMENTS

Tape and Reel Ø 14": 7500 pieces

## GENERAL DESCRIPTION

### AVX AA Series

#### Electrical Characteristics: AA105C104K4R

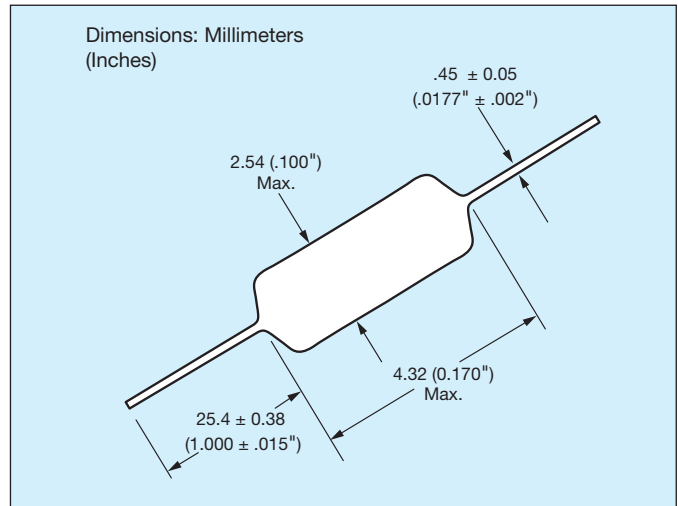
Capacitance @ 25°C, 1kHz, 1Vrms	0.100µF
Capacitance Tolerance	±10 %
Dissipation Factor @ 25°C	2.5% Max
Rated Voltage	50Vdc
Dielectric Withstand Voltage	250Vdc
Insulation Resistance @ 25°C @ Rated Voltage	10000 Mohms

#### Temperature Characteristics:

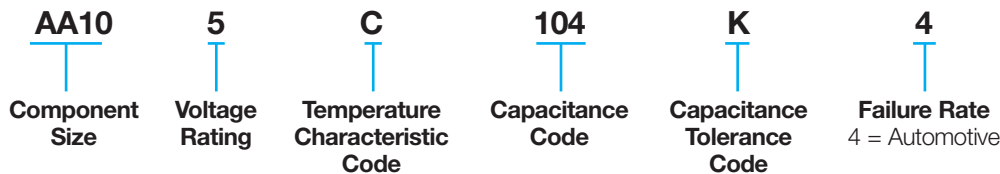
X7R (-55 to + 125°C ± 15% @ 0Vdc)

#### Lead Wire

Core	Steel
Plating	200-300 µ" Sn
Underlying	40-60 µ" Ni



## HOW TO ORDER

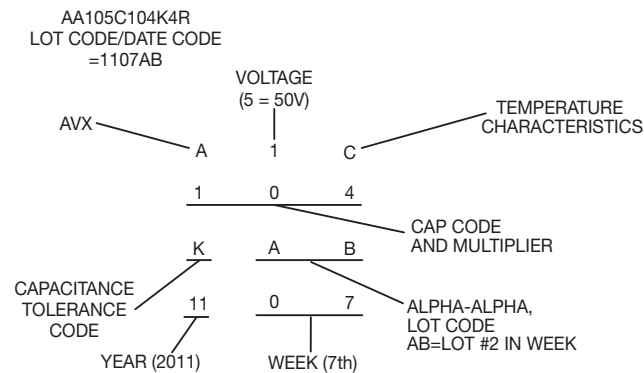


## MARKING (EXAMPLE)

SpinGuard marking includes full date code/lot code identification. A first in the industry, this format provides complete traceability to all manufacturing processes involving the basic chip and final assembly. Total Shipment traceability is also provided.

## PACKAGING REQUIREMENTS

Tape and Reel Ø 14": 7500 pieces



## GENERAL DESCRIPTION

### AVX AA Series

#### Electrical Characteristics: AA301C104K4R

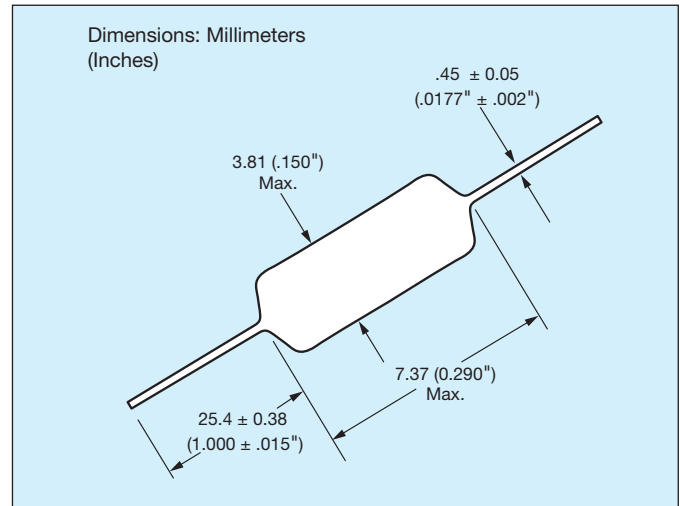
Capacitance @ 25°C, 1kHz, 1Vrms	0.100µF
Capacitance Tolerance	±10 %
Dissipation Factor @ 25°C	2.5% Max
Rated Voltage	100Vdc
Dielectric Withstand Voltage	250Vdc
Insulation Resistance @ 25°C @ Rated Voltage	10000 Mohms

#### Temperature Characteristics:

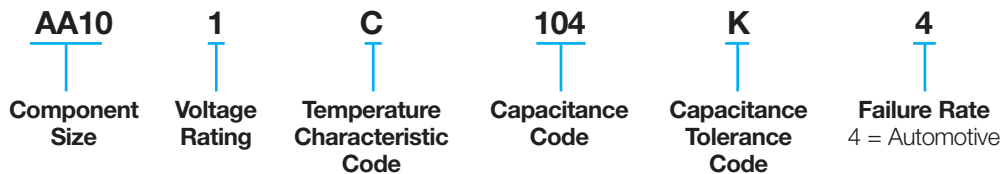
X7R (-55 to + 125°C ± 15% @ 0Vdc)

#### Lead Wire

Core	Steel
Plating	200-300 µ" Sn
Underlying	40-60 µ" Ni



## HOW TO ORDER



## MARKING (EXAMPLE)

SpinGuard marking includes full date code/lot code identification. A first in the industry, this format provides complete traceability to all manufacturing processes involving the basic chip and final assembly. Total Shipment traceability is also provided.

## PACKAGING REQUIREMENTS

Tape and Reel Ø 14": 7500 pieces

