



Ex position switch with safety function Ex ES 97 W-02 -60°C Material number: 1430320

Features/Options

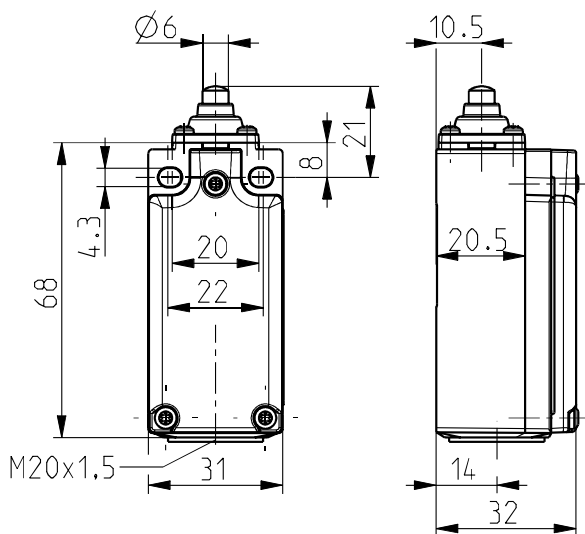
- Ex zone 1 and 21
- Thermoplastic enclosure
- Cold-resistant down to -60 °C
- High degree of protection IP 66 / IP 67

- Design to EN 50047
- Wiring compartment
- Double insulated
- Actuator: Plunger with collar W

Note

- 1 Ex"e" cable gland M20x1.5 included in delivery

Dimensions



Technical data

| | |
|------------------------------------|--|
| Standards | EN 60947-5-1; EN 60079-0, EN 60079-1, EN 60079-7, EN 60079-31; EN ISO 13849-1; EN ISO 14119 |
| Enclosure | glass-fibre reinforced, shock-proof thermoplastic, self-extinguishing UL 94-V0 |
| Cover | glass-fibre reinforced, shock-proof thermoset material, self-extinguishing UL 94-V0 |
| Switch type | type 1 |
| Coding level | no coding |
| Switch insert | Type 8080/1-3 |
| Degree of protection | IP 66 to IEC/EN 60529 (... -60 °C) IP 67 to IEC/EN 60529 (... -20 °C) |
| Contact material | Silver, nickel-plated |
| Switching system | slow action, positive break NC contacts ⊖ |
| Switching elements | 2 NC contacts, type Zb |
| Connection | screw connection terminals, min. 0,2 mm ² AWG 24, max. 1,5 mm ² AWG 16, incl. conductor ferrules |
| Cable entry | M20 x 1,5; screwing depth max. 9 mm; use only Ex approved and certified cable glands with min. degree of protection IP 66 and suitable for the specified ambient temperature range |
| B_{10d} (10 % Load) | 2 million |
| T_M | max. 20 years |
| Utilisation category | AC-15 |
| I_e | max. 2 A or 4 A <input type="checkbox"/> |
| U_e | max. 400 VAC, max. 250 VAC for unequal potential |
| Mechanical life | > 1 million operations |
| Impact energy | max. 7 J |
| Temperature class | T6 |
| Ambient temperature | -60 °C ... +55 °C max. 4 A, +60 °C max. 2 A |
| Max. fuse rating | 6 A gG/gN fuse |
| Ex marking | ⊕ II 2G Ex db eb IIC T6 Gb, ⊕ II 2D Ex tb IIIC T80 °C Db IECEx Ex db eb IIC T6 Gb, Ex tb IIIC T80 °C Db |
| Approvals | BVS 16 ATEX E 052 IECEx BVS 16.0052 |



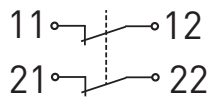
Ex position switch with safety function

Ex ES 97 W-02 -60°C

Material number: 1430320

Errors and omissions excepted.

Contact diagram



Switching diagram

