

BB-232AMF5

D-subminiature Serial Cable – DB25M to DB25F



Features

- Fully molded backshell with strain relief for added protection
- 26 AWG stranded conductors for flexibility
- Thumbscrews for tool-less termination
- Wired straight-through
- All pins terminated

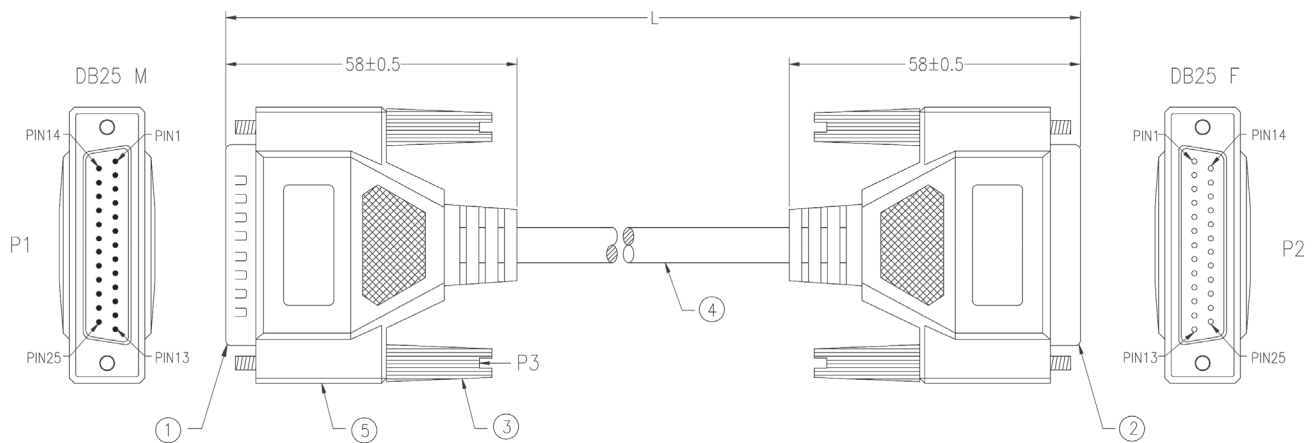
Introduction

This ready-to-use serial cable features molded connectors and gold plated contacts for superior corrosion resistance to ensure solid connections for the life of the cable. Suitable for connecting 25-pin serial devices to laptops, computers and expansion/interface cards.

Ordering Information

| Model No. | Description | Connector 1 | Connector 2 |
|------------|----------------------------------|-------------|-------------|
| BB-232AMF5 | Serial Cable, 1.8m (6 ft), Beige | DB25 Male | DB25 Female |

Dimensions



- ① DB25 male, gold flash on contacts, blue insulator
- ② DB25 female, gold flash on contacts, blue insulator
- ③ Molded thumbscrew, #4/40, 46.5mm length, beige
- ④ Non-UL 25C 28AWG, aluminum-mylar foil shielding with drain wire, 7.0mm OD, beige jacket
- ⑤ Molded PVC beige, molded PE transparent color, aluminum foil 33x110mm, black heat shrink tube 3.0x30mm

Mouser Electronics

Authorized Distributor

Click to View Pricing, Inventory, Delivery & Lifecycle Information:

[B+B SmartWorx:](#)

[BB-232AMF5](#)