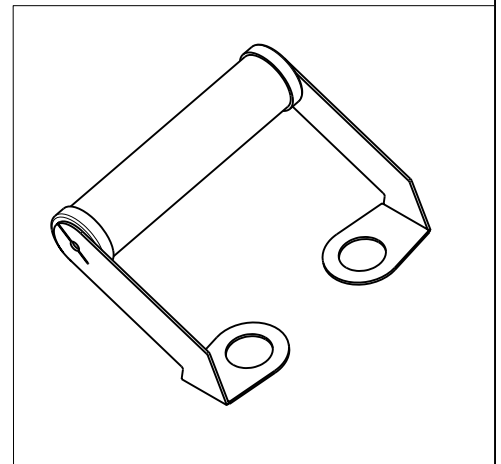
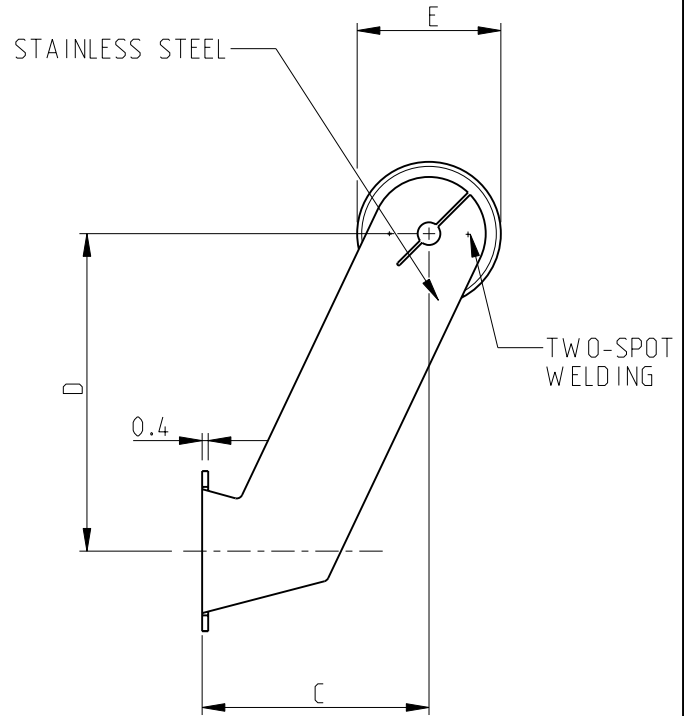
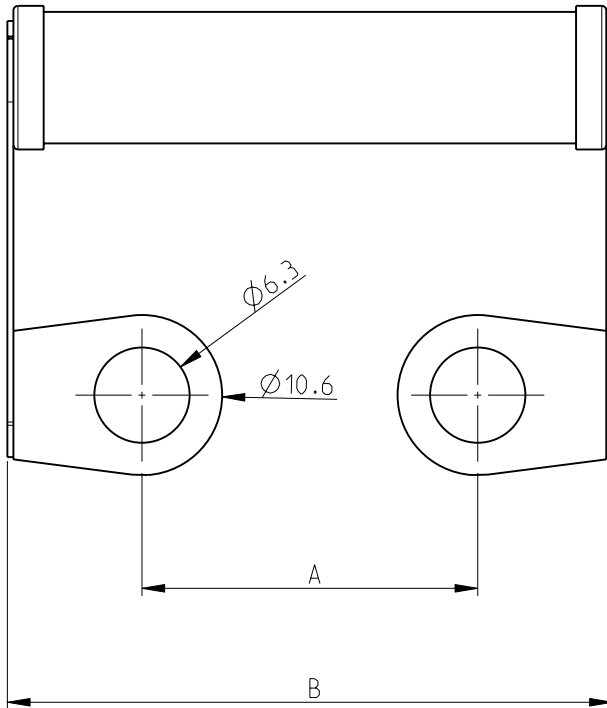


LOC	DIST	REVISIONS					
E	B	P	LTR	DESCRIPTION	DATE	DWN	APVD
		B		NEW RELEASE	24-JAN-11	PT	St.P

FOR FURTHER INFORMATION SEE DATA SHEET FOR
HIGH POWER CAPACITOR DISCHARGE RESISTORS YP SERIES



DIMENSIONS					
	A ± 1 mm	B max.	C ± 1 mm	D ± 1 mm	E ± 1 mm
YP8	22.2	40	15	21	9.5
YP10	31.8	50	15	21	9.5

2008

RELEASED FOR PUBLICATION

THIS DRAWING IS UNPUBLISHED.

© COPYRIGHT 2008 BY TYCO ELECTRONICS CORPORATION. ALL RIGHTS RESERVED.

DIMENSIONS: mm		DWN T.PARUSURAM 24-JAN-2011	MATERIAL -	FINISH -
TOLERANCES UNLESS OTHERWISE SPECIFIED:		CHK ALLAN.P 24-JAN-2011	Tyco Electronics Corporation Dorcan, Swindon, SN3 5HH	
0 PLC ± 0.2		APVD STEPHEN.P 24-JAN-2011		
1 PLC ± 0.1		PRODUCT SPEC -	NAME HIGH POWER CAPACITOR DISCHARGE RESISTORS YP SERIES	
2 PLC \pm		APPLICATION SPEC -	SIZE A 4	CAGE CODE 00779
3 PLC \pm		WEIGHT -	DRAWING NO C-1630184	RESTRICTED TO -
4 PLC \pm				
ANGLES $\pm 5^\circ$				
		CUSTOMER DRAWING		
		SCALE 3:1	SHEET 1	OF 1
			REV B	