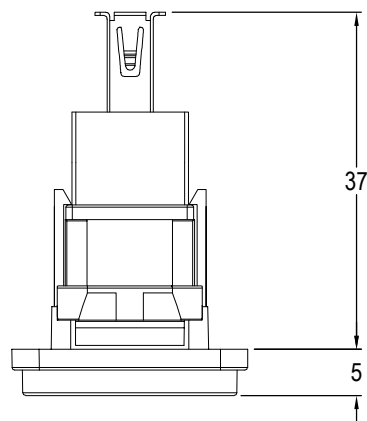
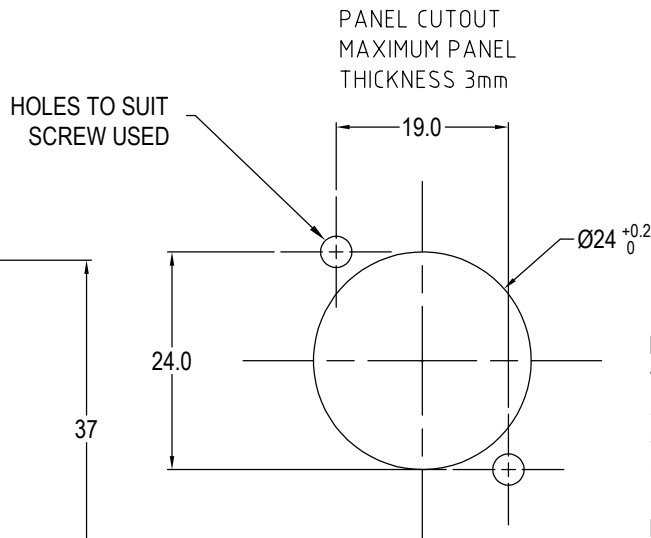


ISS.	AMEND	DATE
1	1st DRAWN	08/12/15
2	ADD M3 VARIANT	29/05/18



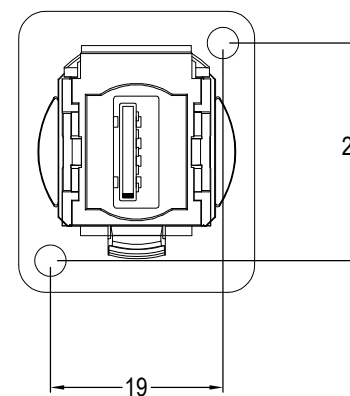
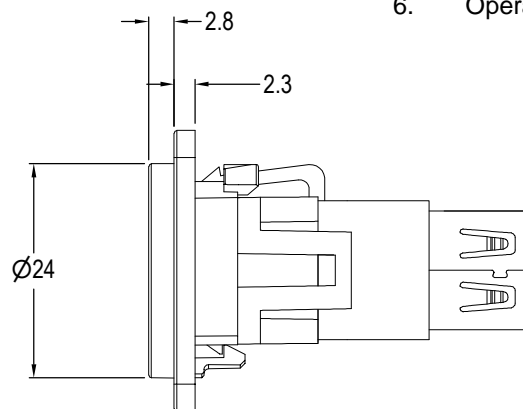
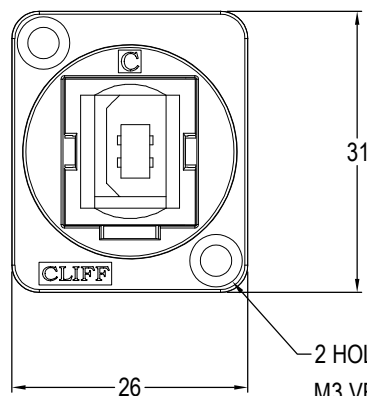
Material:

1. Insert: ABS
2. Frame: Black Nickel plated zinc diecast
3. Shell: Nickel plated steel
4. Contacts: Gold Plated

Notes:

1. Voltage rating: 30V AC
2. Current rating: 1.5 A max
3. Contact resistance: 50mΩ max
4. Insulation resistance: 20MΩ min
5. Dielectric withstanding voltage: 500V AC
6. Operating Temperature: -20°C to 50°C

VARIANTS	
PART No.	HOLE DETAILS
CP30207NMB	HOLE Ø3.50 x CSK 82° x Ø5.85
CP30207NM3B	M3 HOLES



RoHS COMPLIANT
TOLERANCE
NO DEC. PLACE ±
1 DEC. PLACE ±
2 DEC. PLACE ±
HOLE Ø ±
ANGLES ±
UNLESS OTHERWISE STATED

Cliff Electronic Components Ltd.
76 Holmethorpe Avenue, Holmethorpe Industrial Estate,
Redhill, Surrey, RH1 2PF, England, UK
Tel: 01737-771375 Fax: 01737-766012 Website: www.cliffuk.co.uk

DIMENSIONS IN MILLIMETERS UNLESS OTHERWISE STATED. WORK TO DIMENSIONS. REMOVE ALL BURRS. IF IN DOUBT ASK.

3rd ANGLE PROJECTION:

DO NOT SCALE

MATERIAL: See Notes
FINISH: See Notes
DRAWN: D.P.J.

TITLE: FT BLACK METAL USB 2.0 B to USB 2.0 A
DRWG. No. CP30207NMB
FORM: A4DRWG1