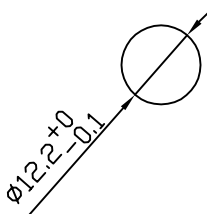
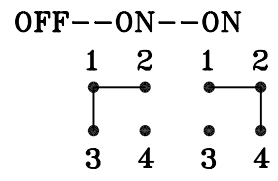
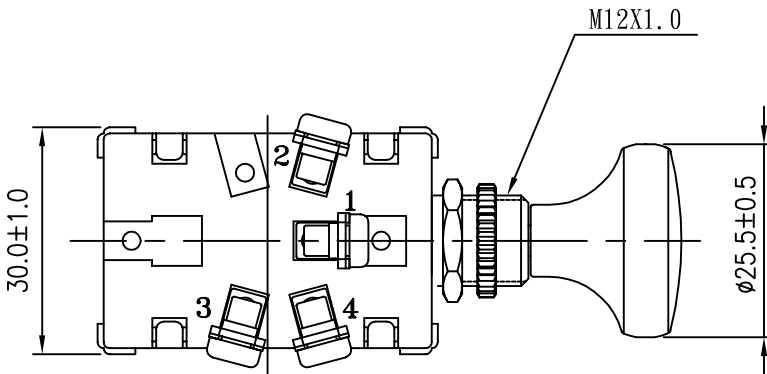
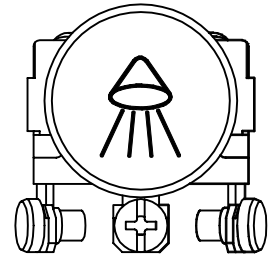
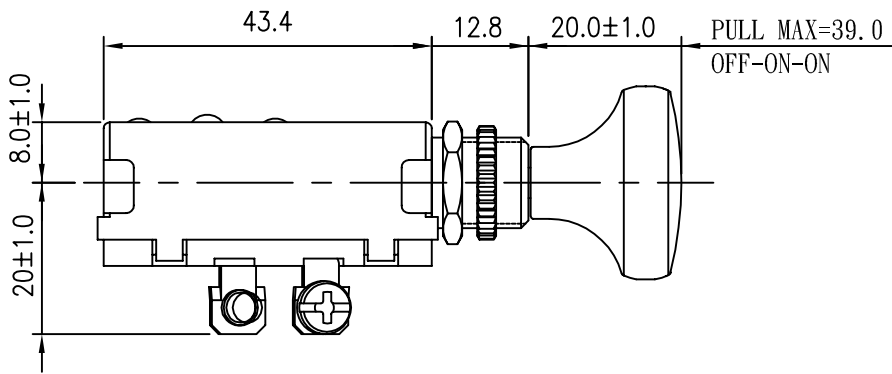



Rating	30A 12V DC	Mounting Hole 	Circuit Diagram OFF--ON--ON 
Contact Resistance	50m ohm Max		
Insulation Resistance	DC 500V 100M ohm Min		
Dielectric Strength	AC 1500V 1minute		
Circuit	PUSH/PULL OFF-ON-ON		



C1\PDM\A3\A3-20B(1120105)外觀

							△
							△
Date	Name	Descriptions					NO
Drawing	Check	Approval	SCI No.	1120105	Model Name	push/pull switch	
張志豪	李元生	李景煌	Customer No.		Model No.	A3-20B	
05/26/'06	05/20/'06	06/01/'06	Unit	mm	 SHIN CHIN INDUSTRIAL CO., LTD.		