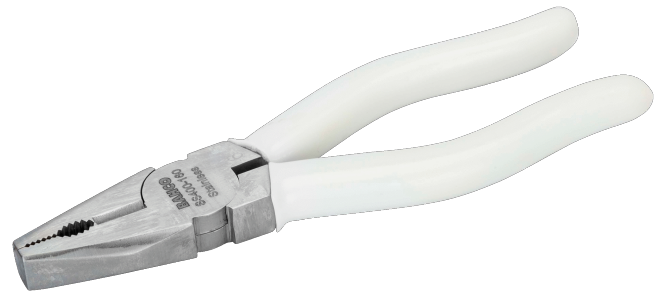




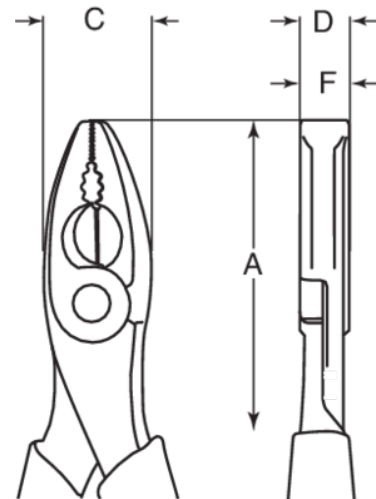
SS400

**Stainless Steel Combination Pliers
with PVC Coated Handles**



PRODUCT DETAILS


- AISI 420 stainless steel body
- Magnetic
- Combination pliers with a cutting capacity diameter of 1 mm Cu and Fe wires
- PVC coated handles
- High strength and hardness
- Can be Autoclave Sterilized at 121°C
- Produced according to ISO 5746



Follow the Fish!



PRODUCT ATTRIBUTES

Product	A	C	D	F	
SS400-160	155 mm	24 mm	11 mm	11 mm	200 g
SS400-180	175 mm	26 mm	11 mm	11 mm	265 g
SS400-200	200 mm	28 mm	12 mm	12 mm	350 g

