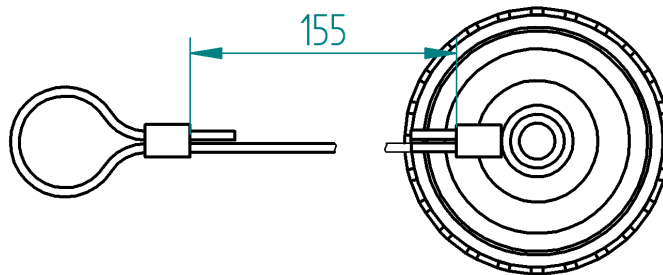
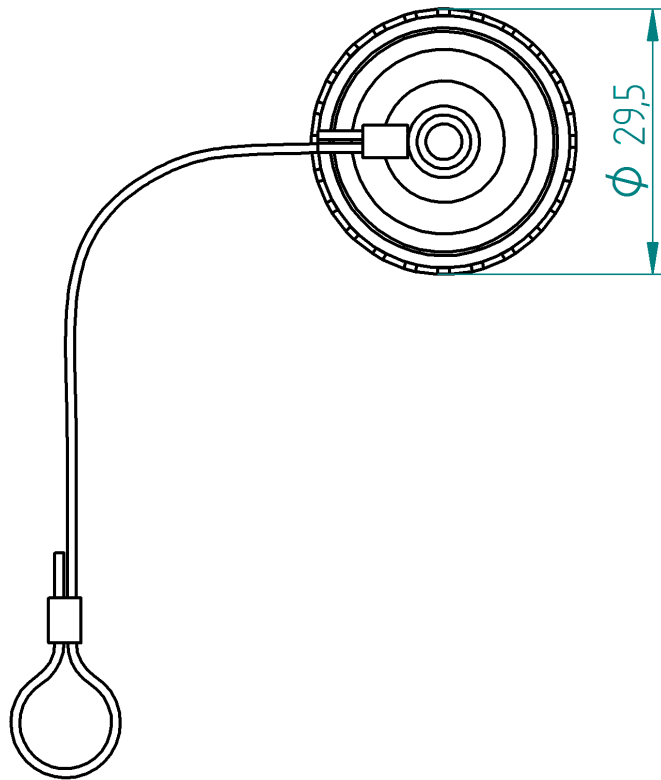
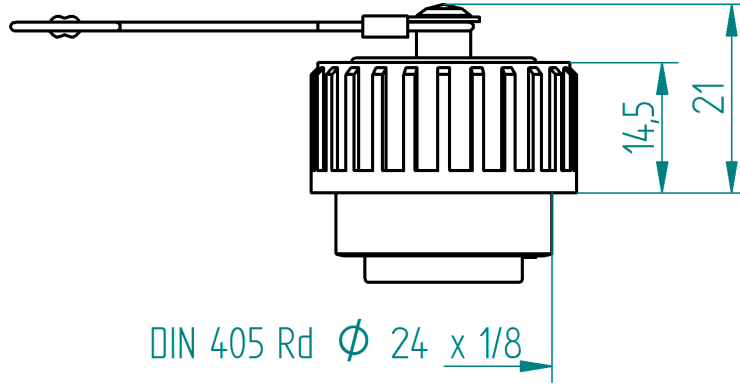
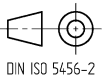


RoHS ✓



The information/details in this datasheet merely contain general descriptions or performance factors which, when applied in an actual situation, do not always correspond with the described form, and may be amended by way of the further development of products. The desired performance factors shall only be binding if these are expressly agreed on conclusion of the contract.



**Product description**

Description	Protection cap for cable sockets with variable strap
Type	CA 00 SD 3
Order No	831-532-400
Number of contacts	for 3 + PE and 6 + PE
Color housing	black

**Materials**

Cover	PA 66 GF
Threaded ring	PA 66 GF

**Environmental conditions**

Protection class (IEC 60529) *	IP65; IP67
Temperature range	-40°C to +90°C

**Accessories**

Mating connectors / fitting to	.
	934-125-100: CA 3 LD, cable sockets
	934-127-100: CA 6 LD, cable sockets

## product overview

Article-No.	Type
831-532-400	CA 00 SD 3