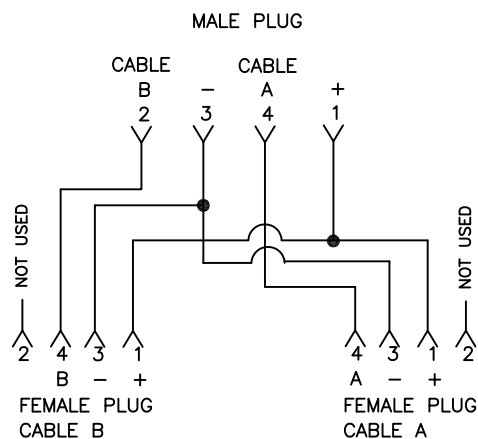
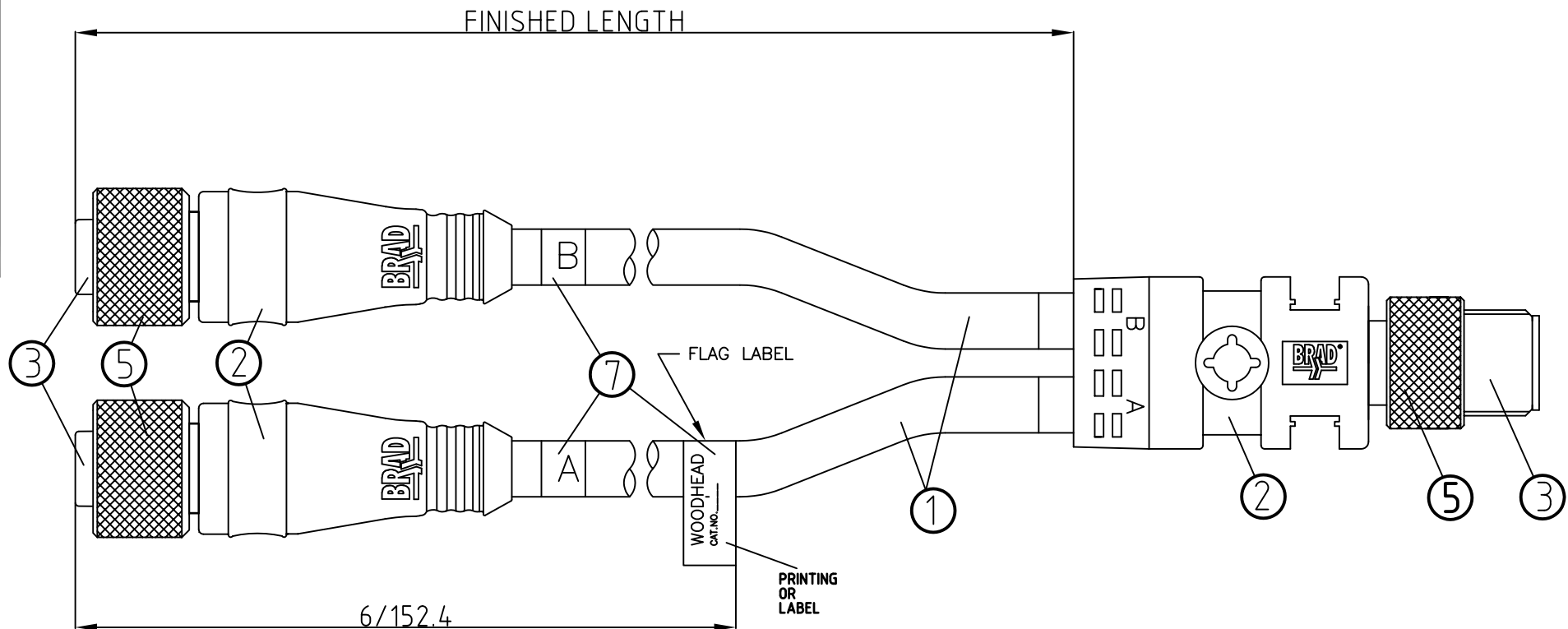
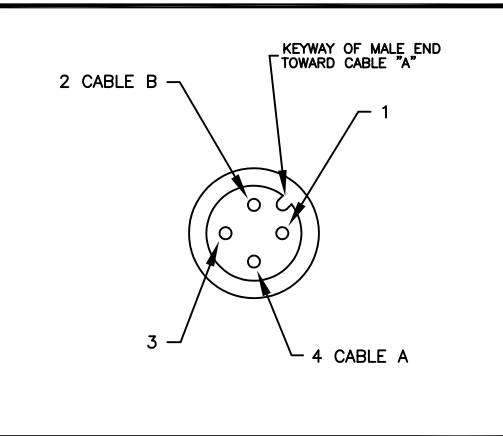
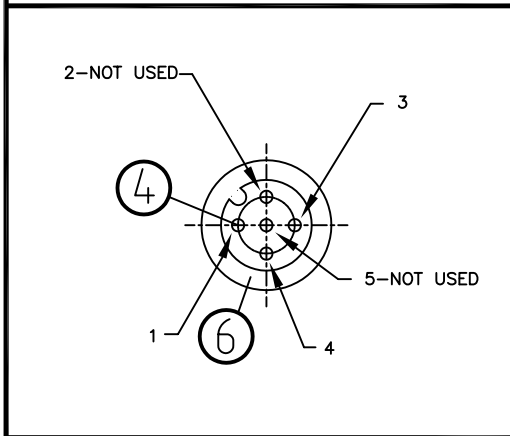


FRONT VIEW - FEMALE INSERT

FRONT VIEW - MALE INSERT



WIRING SCHEMATIC

CONNECTOR SPECIFICATION:

VOLTAGE RATING	300 V
AMPERAGE RATING	max. 4 AMPS
PROTECTION	IP67
OPERATING TEMPERATURE	FLEXING: -5°C TO +70°C STATIC: -30°C TO +70°C

MATERIAL NUMBER	ENGINEERING NUMBER	FINISHED LENGTH
1200680195	884A30K05M003	0.98' +0.75" -0 [0.3M +19.1 -0]

ITEM	COMPONENT	MATERIAL	FINISH
7	LABLE	MYLAR	BLACK/YELLOW
6	O-RING	VITON	RED
5	COUPLER	BRASS	NICKEL PLATED
4	PIN CONTACT	COPPER ALLOY	GOLD OVER NICKEL
3	INSERT	PUR	BLACK
2	OVERMOLD	TPE	YELLOW
1	CABLE #22-3 (COPPER STRANDING) 4 CONDUCT. 300V	JACKET: TPE	YELLOW

DESCRIPTION EC NO: WEU2010-0362 DRWN: BBRAUCH 2010/02/15 CHKD: NS APPR: NSTAUDIG 2010/02/18	QUALITY SYMBOLS	GENERAL TOLERANCES (UNLESS SPECIFIED)	DIMENSION STYLE	SCALE	DESIGN UNITS	THIRD ANGLE PROJECTION	
	= 0 = 0	mm	IN/MM	2:1	METRIC	MIC INL. SPLITTER XM 3P FE STR(2X) TO 4P M	
		INCH					
	1	REV	4 PLACES ±---	DRAWN BY	DATE	MOLEX INCORPORATED	SHEET NO. 1 OF 1
			3 PLACES ±---	BBRAUCH	2010/02/15		
2 PLACES ±---			CHECKED BY	DATE			
		1 PLACE ±0.3	NS	2010/02/16			
		ANGULAR ± --- °	APPROVED BY	DATE			
			NSTAUDIG	2010/02/18			
		DRAFT WHERE APPLICABLE MUST REMAIN WITHIN DIMENSIONS	MATERIAL NO.	SEE TABLE	DOCUMENT NO.		
			SIZE	A3	THIS DRAWING CONTAINS INFORMATION THAT IS PROPRIETARY TO MOLEX INCORPORATED AND SHOULD NOT BE USED WITHOUT WRITTEN PERMISSION		