

REVISIONS

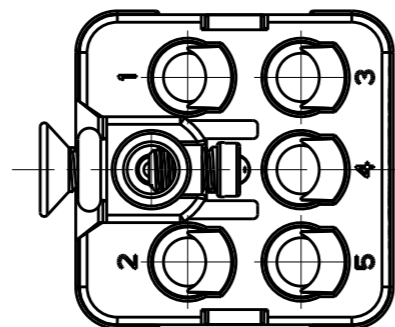
P	LTR	DESCRIPTION	DATE	DWN	APVD
	B	ECR-15-014706	09OCT2015	DL	CW
	B1	ECR-15-016505	11NOV2015	DL	CW
	B2	ECR-16-009730	06JUL2016	BS	CW
	B3	ECR-16-018198	13FEB2017	QY	CW

NOTES:

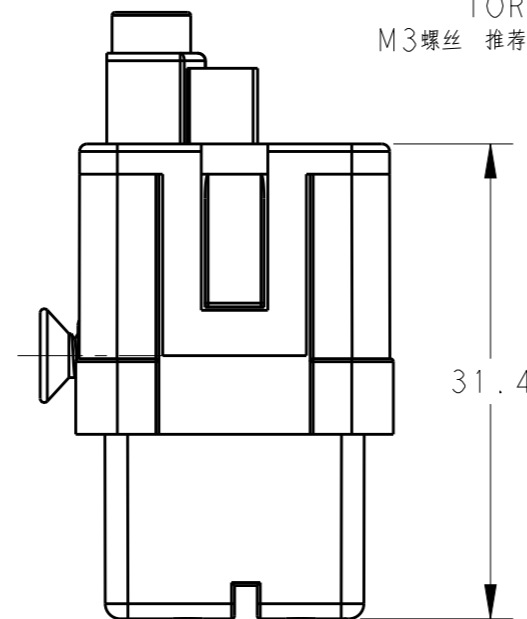
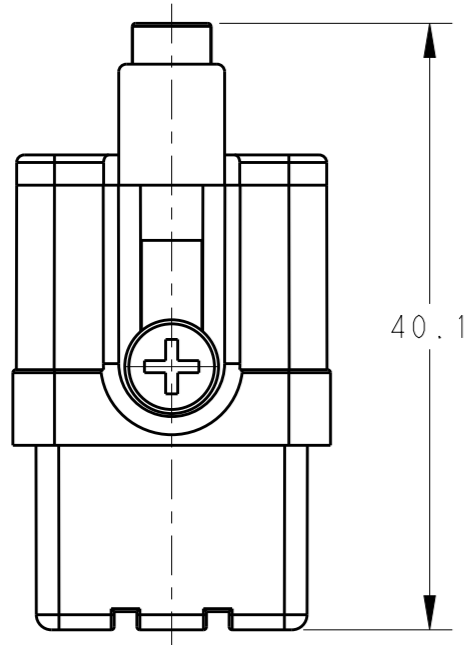
1. TECHNICAL CHARACTERISTICS:
 INSULATION MATERIAL: PC
 RATED VOLTAGE: 400 V
 RATED CURRENT: 16 A
 INSULATION RESISTANCE: $\geq 400M\Omega$
 RATED IMPULSE VOLTAGE: 4 KV
 POLLUTION DEGREE: 3
 FLAMMABILITY: UL94V-0
 MATING CYCLES: 500 CYCLES
 WIRE RANGE: 0.14-4.0 mm² (26-12 AWG)
 CONTACT TYPE: CRIMP CONTACT
2. CONTACT NEED TO BE ORDERED SEPARATELY.
 (ORDER No. REFER TO DRAWING: T20300X20XX000)

注释:

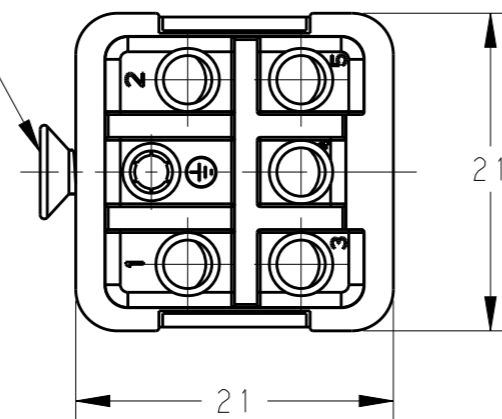
1. 技术参数:
 绝缘材料: PC
 额定电压: 400V
 额定电流: 16A
 绝缘电阻: $\geq 400M\Omega$
 额定脉冲电压: 4 KV
 污染等级: 3
 阻燃等级: UL94V-0
 插拔次数: 500次
 接线范围: 0.14-4.0 mm² (26-12 AWG)
 接线类型: 冷压接
2. 端子需要单独订购.
 (订货号参考图面: T20300X20XX000)



M3 SCREW
 RECOMMENDED
 TIGHTENING
 TORQUE 0.2Nm
 M3螺丝 推荐锁紧力矩0.2Nm

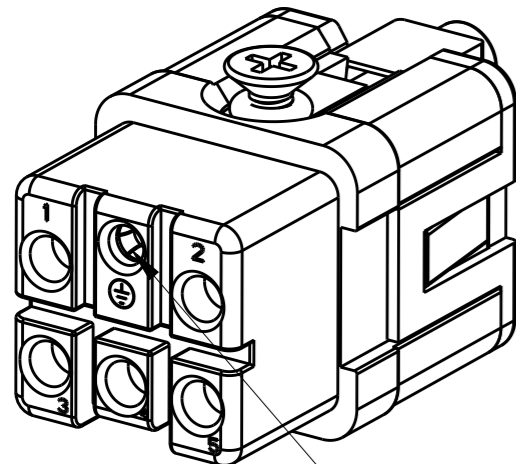


M3 SCREW RECOMMENDED
 TIGHTENING TORQUE 0.2Nm
 M3螺丝 推荐锁紧力矩0.2Nm



TYPE-1: T2080052201-000 TE LOGO
 类型-1: T2080052201-000 TE LOGO

TYPE-2: T2080052201-001 STAINLESS STEEL SCREW, TE LOGO
 类型-2: T2080052201-001 不锈钢螺丝, TE LOGO

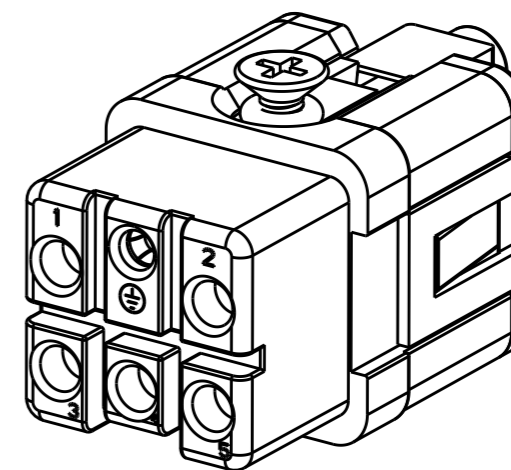
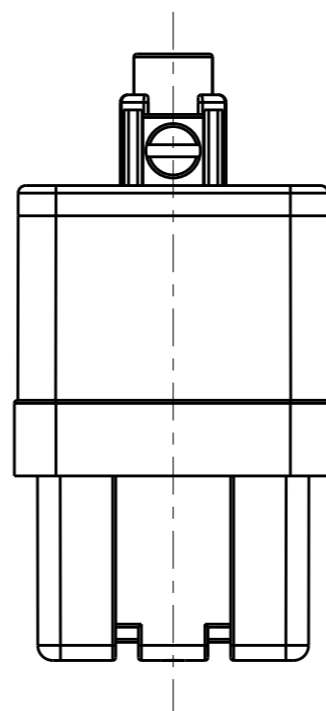
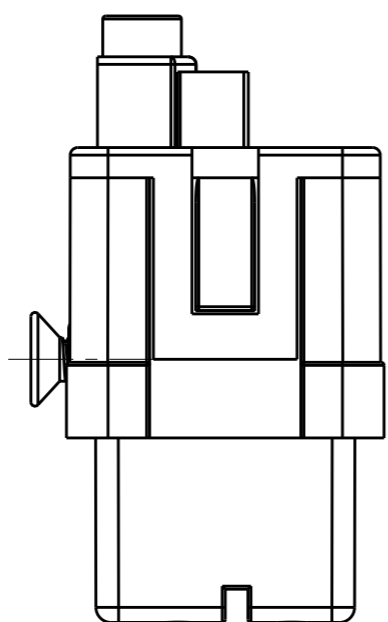
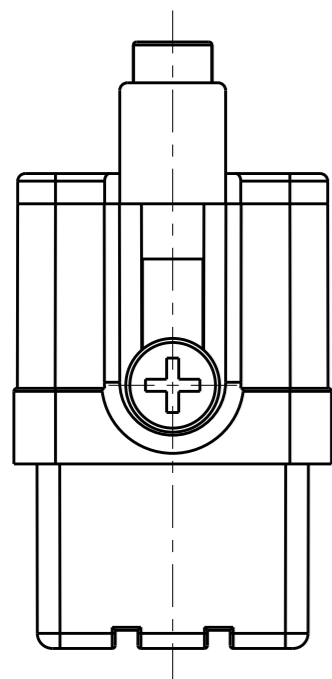
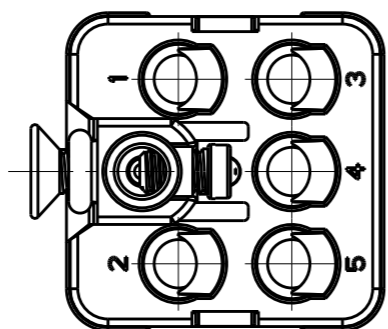


GROUNDING CONTACT TYPE: SCREW CONTACT
 GROUNDING CONTACT FINISH: SILVER PLATED
 WIRE RANGE: 2.5mm (AWG14)
 接地端子类型: 螺丝连接端子 / 接地端子表面处理: 镀银 / 接线范围: 2.5mm² (AWG14)

THIS DRAWING IS A CONTROLLED DOCUMENT.		DWN 10JAN2015 David Wang		TE Connectivity	
DIMENSIONS: mm		CHK 10JAN2015 Chris Wang			
TOLERANCES UNLESS OTHERWISE SPECIFIED:		APVD 10JAN2015 Xiang Xu		NAME HQ-005-F	
0 PLC ±-		PRODUCT SPEC 108-137054		SIZE	
1 PLC ±-		APPLICATION SPEC 114-137054		CAGE CODE	
2 PLC ±-		WEIGHT		DRAWING NO	
3 PLC ±-		Customer Drawing		A300779	
4 PLC ±-		SCALE		2:1	
ANGLES ±-		SHEET		1 OF 2	
MATERIAL		FINISH		REV	
-		-		B3	
-		-		RESTRICTED TO	
-		-		-	

REVISIONS

P	LTR	DESCRIPTION	DATE	DWN	APVD
-		SEE SHEET 1	-	-	-

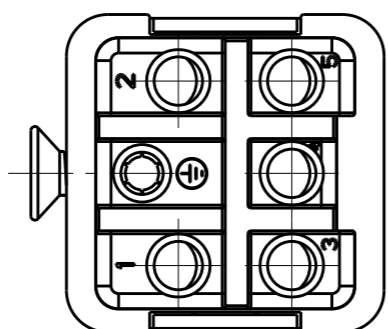


NOTES:
SEE SHEET 1

注释:
见页 1

TYPE-3: T2080052201-002 STAINLESS STEEL SCREW, NO LOGO
类型-3: T2080052201-002 不锈钢螺丝, 无LOGO

ALL DIMENSIONS ARE SAME AS TYPE 1,
EXCEPT THOSE DEFINED IN THIS TYPE.
除了在本类型中定义的尺寸外, 其它尺寸同类型 1



T2080052201-002	HQ-005-F	HQ-005 FEMALE INSERT, STAINLESS STEEL SCREW, NO LOGO HQ-005 母插, 不锈钢螺丝, 无LOGO	TYPE-3 类型-3
T2080052201-001	HQ-005-F	HQ-005 FEMALE INSERT, STAINLESS STEEL SCREW HQ-005 母插, 不锈钢螺丝	TYPE-2 类型-2
T2080052201-000	HQ-005-F	HQ-005 FEMALE INSERT HQ-005 母插	TYPE-1 类型-1
PART NUMBER 料号	PART DESCRIPTION 描述		TYPE 类型

THIS DRAWING IS A CONTROLLED DOCUMENT.		DWN 10JAN2015 David Wang	STE TE Connectivity	
DIMENSIONS: mm		CHK 10JAN2015 Chris Wang		
TOLERANCES UNLESS OTHERWISE SPECIFIED:		APVD 10JAN2015 Xiang Xu	NAME HQ-005-F	
0 PLC ±-		PRODUCT SPEC 108-137054	SIZE CAGE CODE DRAWING NO RESTRICTED TO	
1 PLC ±-		APPLICATION SPEC 114-137054	A3 00779 © T2080052201000 -	
2 PLC ±-		WEIGHT -	SCALE 2:1 SHEET 2 OF 2 REV B3	
3 PLC ±-		Customer Drawing		
4 PLC ±-				
ANGLES ±-				
FINISH -				
MATERIAL -				