

Overview

This is an I/O expansion kit designed for Raspberry Pi, which provides 5 sets of 2x20 pinheaders, that means a handy way to "stack" multi different HATs together, and use them as a specific combination / project.

Features

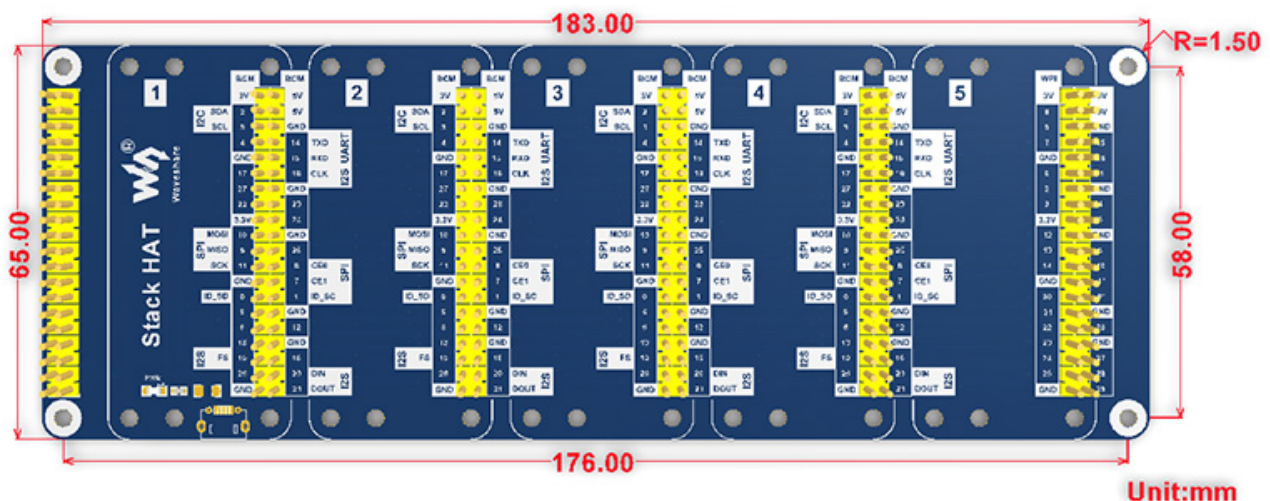
- Standard Raspberry Pi connectivity, directly pluggable OR through ribbon cable
- 5 sets of 2x20 pinheaders, connect multi HATs together
- USB external power port, provides enough power supply for multi HATs
- Clear and descriptive pin labels for easy use
- Reserved jumper pads on the bottom side, pin connections are changeable by soldering, to avoid pin conflicts

Note: make sure there are no any pin conflicts between the HATs you want to use together before connecting.

Specifications

- Dimension: 183mm × 65mm
- Mounting hole size: 3mm

Dimension



Development Resources

Wiki : www.waveshare.com/wiki/Stack_HAT