

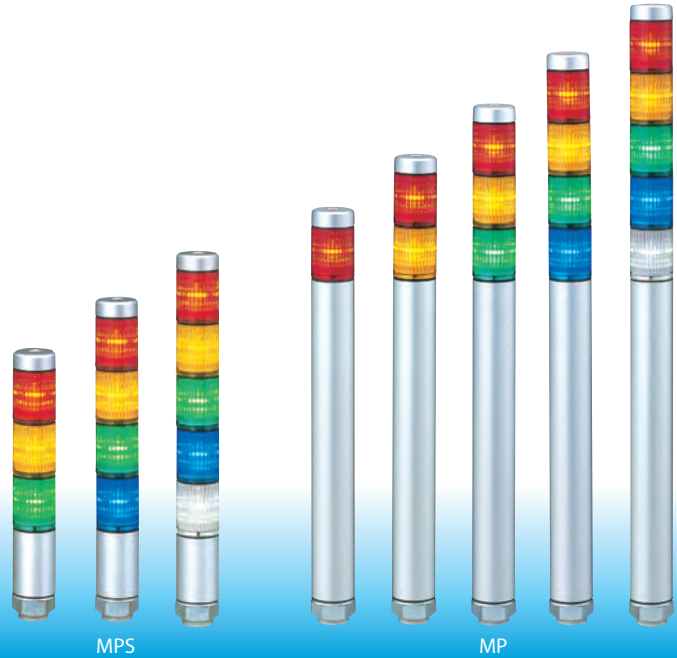
# MP/MPS



## Signal Tower



- LED
- IP65
- Ø30
- Cable
- NPN/PNP  
Open-collector



MPS

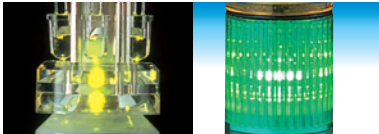
MP

## Super slim 30mm silver body Signal Tower, ideal for small devices.

### FEATURES

- PATLITE's exclusive hybrid prism-cut lens designed for enhanced visibility from any direction and distance.
- Double-insulated construction for enhanced durability and safety in the work environment.
- Direct mount installation with just a single hole.
- Interchangeable Modules need no re-wiring, even after installation.
- Main body is constructed of superior impact and heat resistant ABS resin.
- Lens is made of superior weather resistant and light translucent AS resin.
- Available Colors are in Red, Amber, Green, Blue, and Clear/White.
- Conforms to the CE requirements.
- UL Recognized Components (File No. E215660)

Patented reflection system increases visibility.



High-intensity LED

Good visibility from any direction

### AVAILABLE BY SPECIAL ORDER

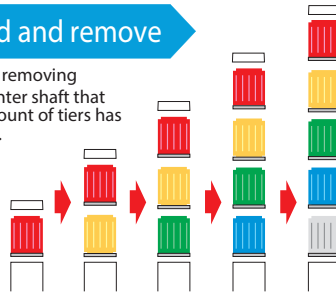
- All Clear Lenses: Distinctive color recognition when operated with clear lenses (B0738 type).
- Cable: Versatile and flexible 3m cable.



Optional MP-B Buzzer  
(See Pg. 193)

### Easy to add and remove

- When adding or removing modules, the center shaft that matches the amount of tiers has to be purchased.



### Interchangeable LED Modules

Changeable color sequence: Easy to add/ remove up to 5 colored modules even after installation.

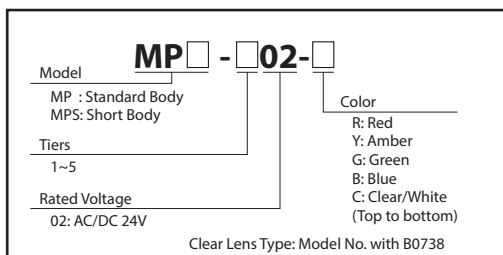
Note: LED modules of the same color within a signal tower will light up simultaneously.

### Wiring doesn't change

- The LED Module colors correspond to the wiring, so re-wiring is not necessary.



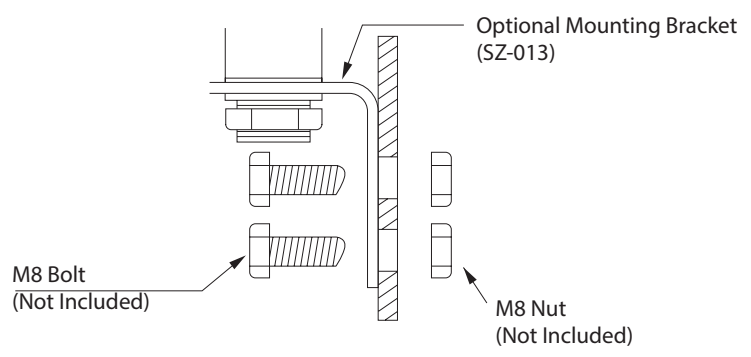
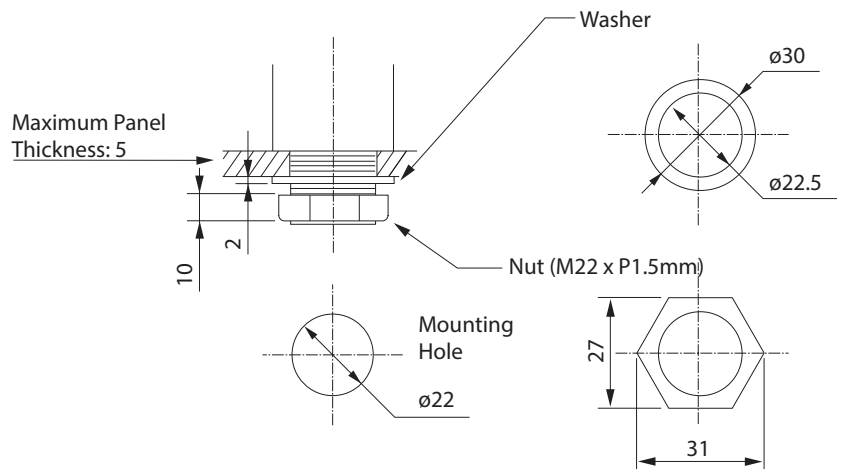
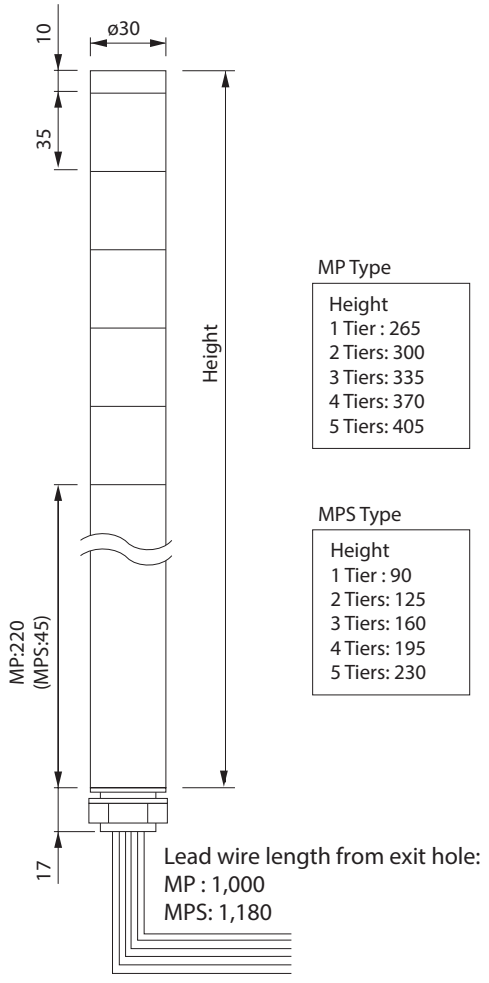
## How to Order



## Specifications

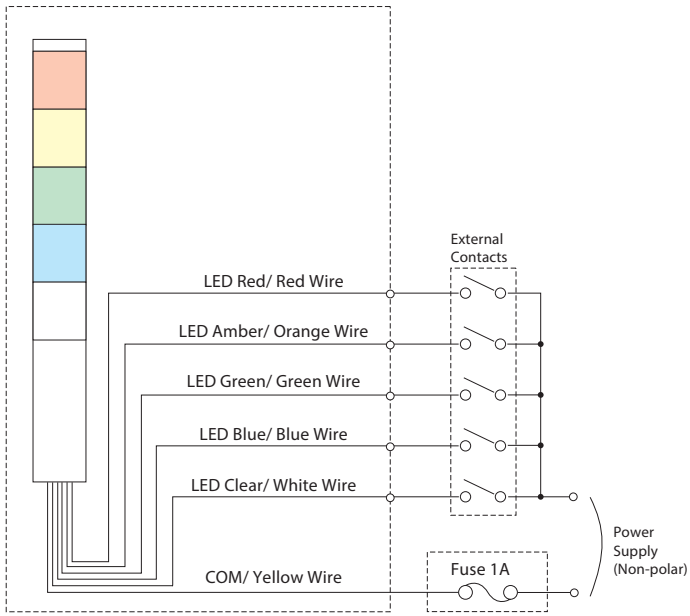
Stack Number	Model	Rated Voltage	Power Consumption	Mass	
				MP	MPS
1 Tier	MP/MPS-102	AC/DC 24V	0.7W	210g	110g
2 Tiers	MP/MPS-202		1.4W	230g	130g
3 Tiers	MP/MPS-302		2.0W	250g	150g
4 Tiers	MP/MPS-402		2.6W	270g	170g
5 Tiers	MP/MPS-502		3.2W	290g	190g

## Dimensions (Unit: mm)

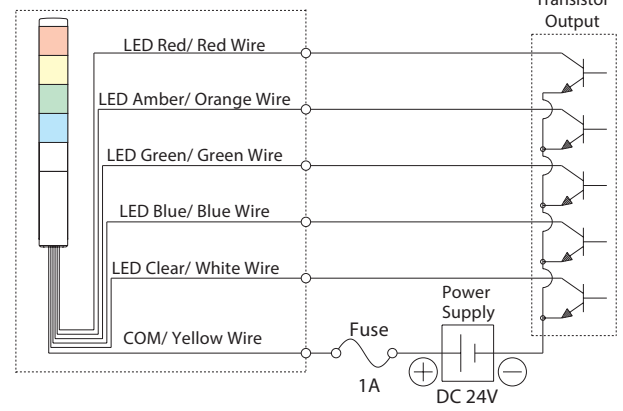


## Wiring

### • MP/MPS Contact/ Switch



### • MP/MPS NPN Open Collector



### • MP/MPS PNP Open Collector

