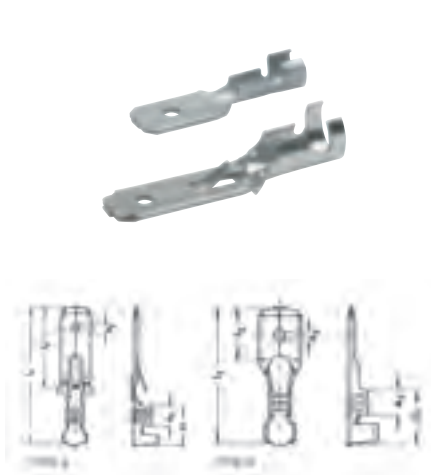




## Non-insulated tabs



- ▶ For fine and superfine stranded conductors, e.g. to DIN EN 60228 Cl. 5 and 6
- ▶ Improved contact properties due to grooved profile



### Material

- Brass (CuZn)



### Surface

- Tin-plated to protect against corrosion



### Technical instructions

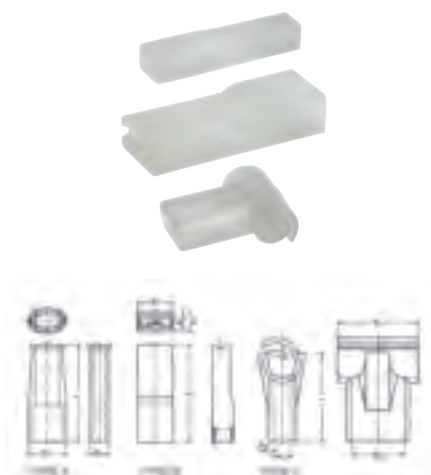
- Tool: see page 176

### Additional information

- \* = dimensions in the plug sector to DIN 46244

Nominal cross section mm <sup>2</sup>	Nominal size to DIN	Part No.	Tab Thickn.	Tab Width	Typ	Hint	Dimension mm					Weight/ pcs. ~kg	Packing unit/pcs
							a1	a2	d2	l1	l2		
0.5 - 1		<b>2235</b>	0.8	2.8	A	*	6.0	3.2	1.30	22.5	12.7	0.045	100
	46343 B6.3 - 1	<b>2220</b>	0.8	6.3	A		8.2	4.0	1.65	28.0	16.0	0.085	100
1.5 - 2.5	46248 A6.3 - 2.5	<b>1830</b>	0.8	6.3	B		9.0	4.5	1.65	20.0	8.0	0.065	100
	46343 B6.3 - 2.5	<b>2230</b>	0.8	6.3	A		8.2	4.0	1.65	28.0	16.0	0.090	100
4 - 6	46343 B6.3 - 6	<b>2250</b>	0.8	6.3	A		8.2	4.0	1.65	28.0	16.0	0.100	100

## Insulation sleeves



- ▶ For non-insulated tabs
- ▶ Perfectly-matched to the different versions

### Characteristics

- For post-insulation of crimped non-insulated receptacles

### Material

- PA / PE / PVC

Nominal cross section mm <sup>2</sup>	Nominal size to DIN	Part No.	Colour	Typ	Dimension mm			Insulation material	for item	Weight/ pcs. ~kg	Packing unit/pcs
					b1	l	h1				
0.5 - 1	2.8	<b>2755</b>	□	A	6.5	20.0	4.0	PE	18251,18251A, 18201A	0.015	100
0.5 - 1.5	4.8	<b>2760</b>	□	A	7.0	20.0	5.0	PE	18202,18203	0.015	100