

Board Level Cooling – Channel 7024



BOARD LEVEL COOLING - Channel 7024

Channel 7024 is a channel board level heat sink designed to cool TO-220 and TO-220-single gauge devices. Representative image only.



ORDERING INFORMATION

Part Number	Device Type
7024B-MTG	TO-220, TO-220-single gauge

HEAT SINK DETAILS

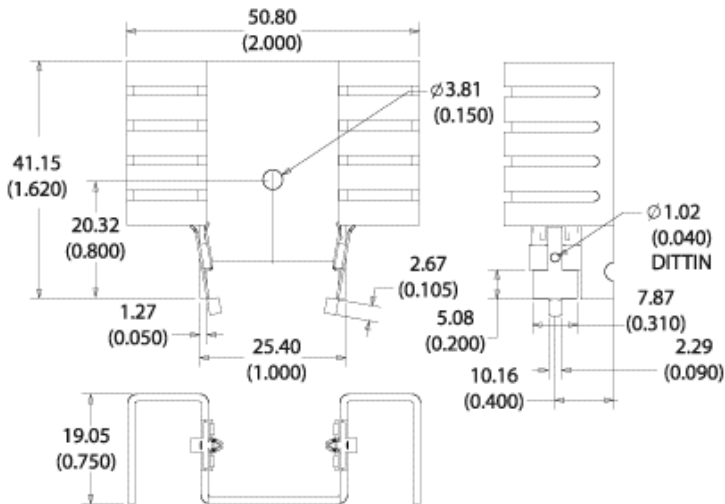
Property	Details
Material	Aluminum
Finish	Black Anodize
Device Attachment Options	Requires Mounting Kit
Thermal Interface Material	-

Property	Details
Heat Sink Width (mm)	50.80
Heat Sink Length (mm)	19.05
Heat Sink Height (mm)	41.15
Heat Sink Mounting Direction	Vertical

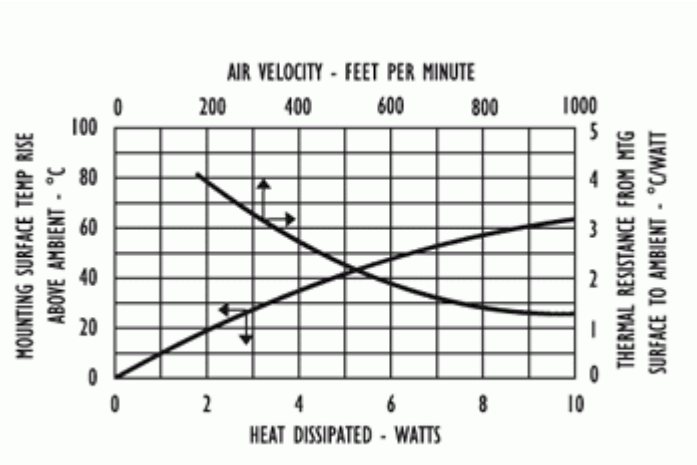
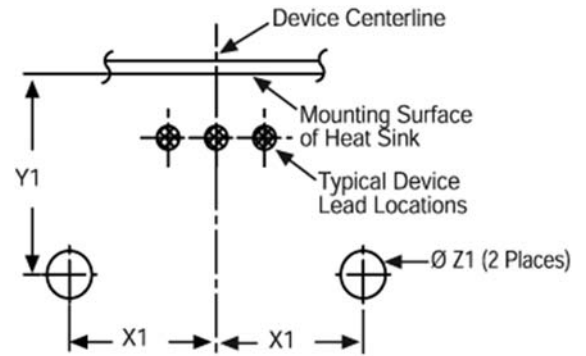
MECHANICAL & PERFORMANCE

Drawing dimensions are shown in mm, (in)

Part Number	"X" Dim	"Y" Dim	"Z" Dim
7024B-MTG	12.14 (0.478)	8.89(0.350)	3.10 (0.122)



Mounting Details:



Mouser Electronics

Authorized Distributor

Click to View Pricing, Inventory, Delivery & Lifecycle Information:

[Aavid:](#)

[7024B-MTG](#)