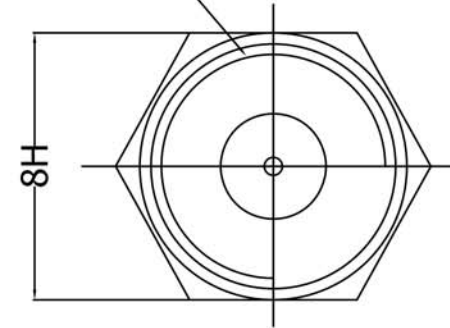
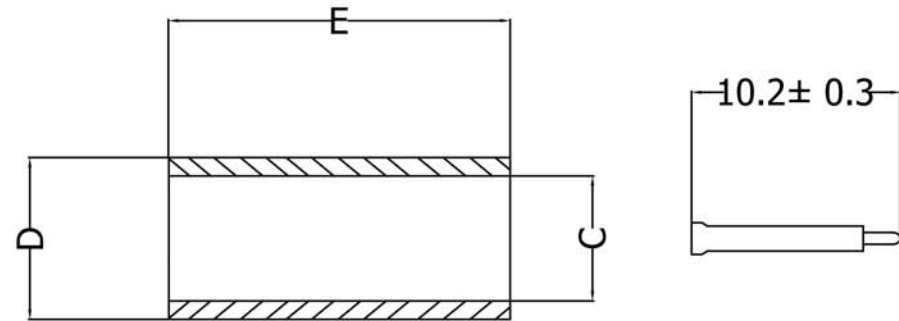


1/4-36UNEF



	58/U	59/U	174/U	316/U
A	∅3.1	∅3.9	∅1.7	
B	∅4.5	∅5.5	∅2.7	
C	∅5.5	∅6.5	∅3.2	
D	∅6.3	∅7.3	∅4.0	
E	12.7	12.7	10.0	



P/NO.:	HYR-1101	
CUSTOMER:	Hoyutec International	
CUST. P/N.:	GSA-1101	
APP.	Eric	UNITS m/m
CHK.	Carmen	DATE 2008/12/24
DRAW.	Christina	SHEET 1/1

HOYUTEC
INTERNATIONAL CO., LTD.

1.0	NEW DRAWING	2008/12/24	DES.: SMA MALE CRIMP TYPE
VER.NO.	DESCRIPTION	DATE	DRAW NO.: HYR-1101 VER 1.0