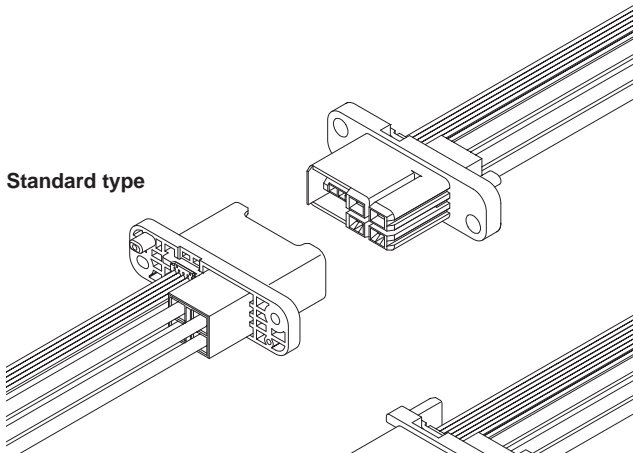


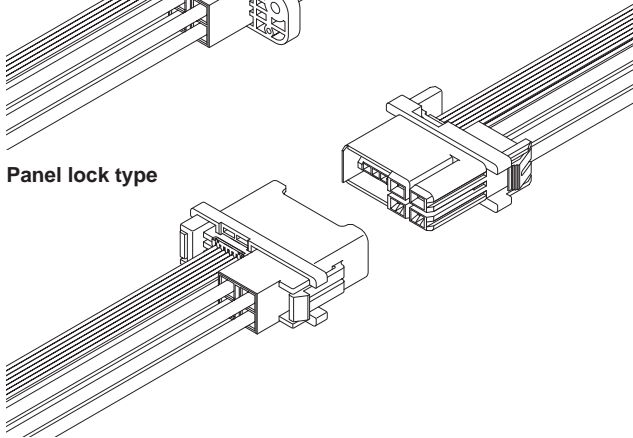
RWZ CONNECTOR

Disconnectable Crimp style Wire-to-wire connectors

Standard type



Panel lock type



In unit connection, this RWZ connector is a hybrid type double row drawer connector with combined signal and power supply circuits, absorbs misalignment between units, and excels durability.

- High durability
- Absorbed misalignment mechanism
- Space saving
- Hybrid type

Specifications

- Current rating: Signal circuit 1.0 A AC, DC (AWG #26)
Power supply circuit 15 A AC, DC (AWG #14)
- Voltage rating: Signal circuit 50 V AC, DC
Power supply circuit 250 V AC, DC
- Temperature range: -25°C to +85°C
(including temperature rise in applying electrical current)
- Contact resistance:
Signal circuit Initial value/ 40 mΩ max.
After environmental tests/ 60 mΩ max.
Power supply circuit Initial value/ 10 mΩ max.
After environmental tests/ 20 mΩ max.
- Insulation resistance: 500 MΩ min.
- Withstanding voltage: Signal circuit 500 VAC
Power supply circuit 1,500 VAC
- Applicable wire: Power supply circuit Conductor AWG #24 to #14
Insulation O.D. 1.4 to 3.6 mm
Signal circuit Applicable receptacle CZ, CZH
- Mounting method: Screw, Panel lock

* In using the products, refer to "Handling Precaution for Terminal and Connector" described on our website (Technical documents of Product information page).

* Contact JST for details.

* Compliant with RoHS.

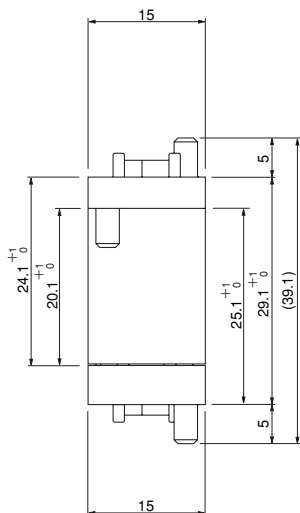
Standards

Recognized E60389

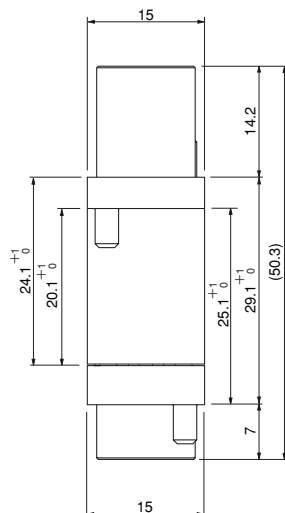
Certified LR20812

Assembly layout

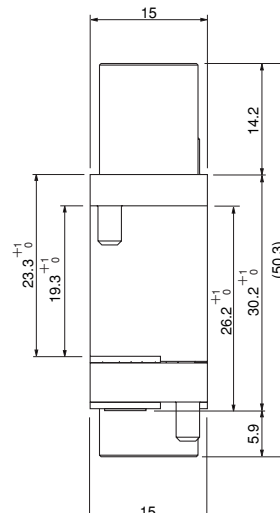
Standard type
Signal type



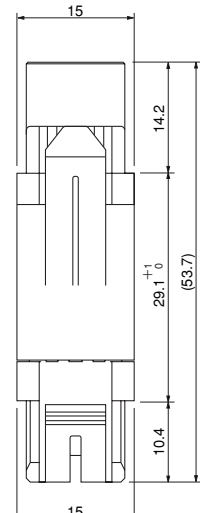
Standard type
Hybrid type



Floating bushing type
Hybrid type



Panel lock type
Hybrid type

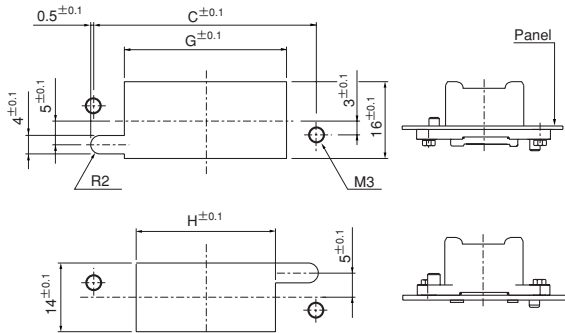


Panel layout

Plug

Standard type

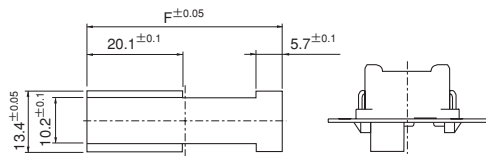
Panel thickness: 0.8 to 2.0 mm



Plug

Panel lock type

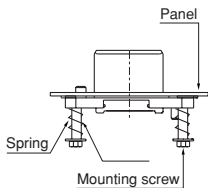
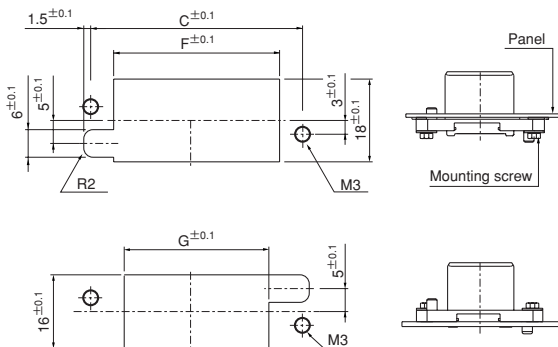
Panel thickness: 2.0 mm



Receptacle

Standard type

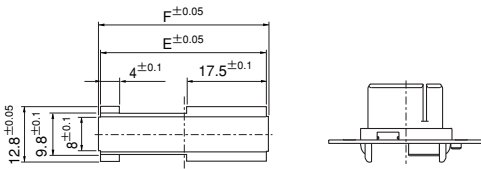
Panel thickness: 0.8 to 2.0 mm



Receptacle

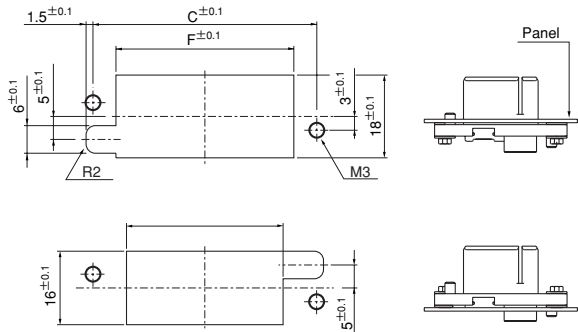
Panel lock type

Panel thickness: 1.2 mm, 1.6 mm, 2.0 mm



Floating bushing type

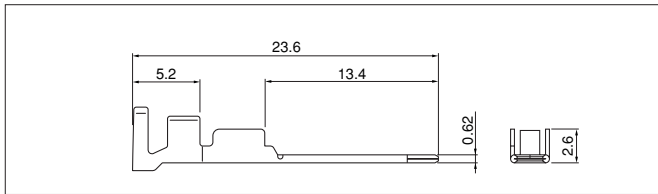
Panel thickness: 0.8 to 2.0 mm



Note: 1. Punch holes in the panel according to the figures shown above. Burrs must be removed.
 2. The strength of the panel must be considered when punching two or more holes.
 3. The connector must be inserted from the same side as the hole is punched.

RWZ CONNECTOR

Plug contact for power supply circuit



| Model No. | Applicable wire | | Insulation O.D. (mm) | Q'ty/reel |
|----------------|-----------------|-------|----------------------|-----------|
| | mm ² | AWG # | | |
| SRWM-01GG-S0.6 | 0.2~0.5 | 24~20 | 1.4~1.9 | 4,000 |
| SRWM-21GG-S0.6 | 0.3~0.75 | 22~18 | 1.55~3.1 | 3,000 |
| SRWM-61GG-S0.6 | 0.75~2.0 | 18~14 | 2.0~3.6 | 3,000 |

Material and Finish

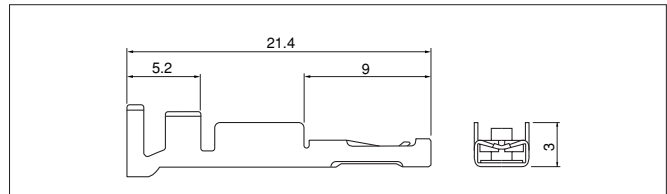
Copper alloy, nickel-undercoated, Contacting part; gold-plated
Crimping part; tin-plated (reflow treatment)

RoHS compliance This product displays (LF)(SN) on a label.

| Contact | Crimping machine | Applicator | | |
|----------------|------------------|------------------|-----------------|----------------------------|
| | | Crimp applicator | Dies | Crimp applicator with dies |
| SRWM-01GG-S0.6 | AP-K2N | MKS-L | MK/SRPF/M-01-06 | APLMK SRPF/M01-06 |
| | | — | — | — |
| SRWM-21GG-S0.6 | | MKS-L | MK/SRPF/M-21-06 | APLMK SRPF/M21-06 |
| | | — | — | — |
| SRWM-61GG-S0.6 | | MKS-L | MK/SRPF/M-61-06 | APLMK SRPF/M61-06 |
| | | — | — | — |

Note: Contact JST for fully automatic crimping applicator.

Receptacle contact for power supply circuit



| Model No. | Applicable wire | | Insulation O.D. (mm) | Q'ty/reel |
|----------------|-----------------|-------|----------------------|-----------|
| | mm ² | AWG # | | |
| SRWF-01GG-M0.6 | 0.2~0.5 | 24~20 | 1.4~1.9 | 4,000 |
| SRWF-21GG-M0.6 | 0.3~0.75 | 22~18 | 1.55~3.1 | 3,000 |
| SRWF-61GG-M0.6 | 0.75~2.0 | 18~14 | 2.0~3.6 | 3,000 |

Material and Finish

Copper alloy, nickel-undercoated, Contacting part; gold-plated
Crimping part; tin-plated (reflow treatment)

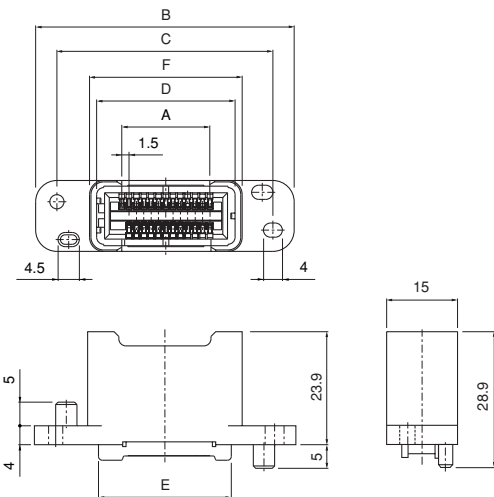
RoHS compliance This product displays (LF)(SN) on a label.

| Contact | Crimping machine | Applicator | | |
|----------------|------------------|------------------|-----------------|----------------------------|
| | | Crimp applicator | Dies | Crimp applicator with dies |
| SRWF-01GG-M0.6 | AP-K2N | MKS-L | MK/SRPF/M-01-06 | APLMK SRPF/M01-06 |
| | | — | — | — |
| SRWF-21GG-M0.6 | | MKS-L | MK/SRPF/M-21-06 | APLMK SRPF/M21-06 |
| | | — | — | — |
| SRWF-61GG-M0.6 | | MKS-L | MK/SRPF/M-61-06 | APLMK SRPF/M61-06 |
| | | — | — | — |

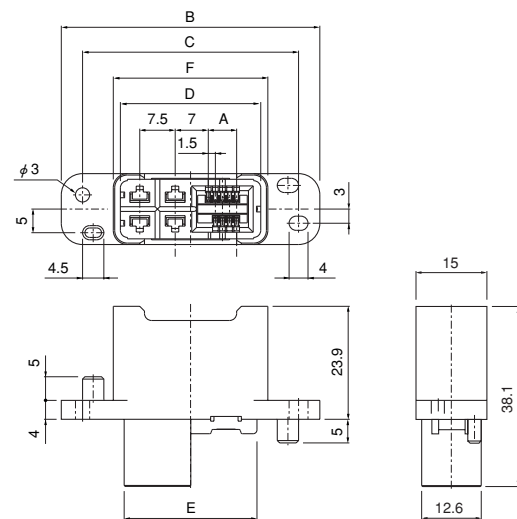
Note: Contact JST for fully automatic crimping applicator.

Plug

Standard/Signal circuit type



Standard/ Hybrid type (Connector with integrated signal and power)



| No. of circuits | Model No. | Dimensions (mm) | | | | | | | | Q'ty/box |
|-----------------|---------------|-----------------|------|------|------|------|------|------|------|----------|
| | | A | B | C | D | E | F | G | H | |
| 25 | 25P-RWZV-K4GG | 18.0 | 53.2 | 44.2 | 28.2 | 26.6 | 31.2 | 32.2 | 27.6 | 240 |
| 31 | 31P-RWZV-K4GG | 22.5 | 57.7 | 48.7 | 32.7 | 31.1 | 35.7 | 36.7 | 32.1 | 216 |
| 33 | 33P-RWZV-K4GG | 24.0 | 59.2 | 50.2 | 34.2 | 32.6 | 37.2 | 38.2 | 33.6 | 192 |

Material and Finish

Contact: Copper alloy, nickel-undercoated, selective gold-plated, tin-plated (reflow treatment)
Housing: PBT, UL94V-0, black

RoHS compliance This product displays (LF)(SN) on a label.

| No. of circuits | Model No. | Dimensions (mm) | | | | | | | | Q'ty/box |
|-----------------|------------------|-----------------|------|------|------|------|------|------|------|----------|
| | | A | B | C | D | E | F | G | H | |
| 2 | 39P-RWZV-K4GG-P2 | 28.5 | 69.7 | 60.7 | 44.7 | 43.1 | 47.7 | 48.7 | 44.1 | 168 |
| 4 | 9P-RWZV-K4GG-P4 | 6.0 | 54.7 | 45.7 | 29.7 | 28.1 | 32.7 | 33.7 | 29.1 | 216 |
| | 13P-RWZV-K4GG-P4 | 9.0 | 57.7 | 48.7 | 32.7 | 31.1 | 35.7 | 36.7 | 32.1 | 216 |
| 6 | 21P-RWZV-K4GG-P4 | 15.0 | 63.7 | 54.7 | 38.7 | 37.1 | 41.7 | 42.7 | 38.1 | 192 |
| | 19P-RWZV-K4GG-P6 | 13.5 | 69.7 | 60.7 | 44.7 | 43.1 | 47.7 | 48.7 | 44.1 | 168 |
| | 23P-RWZV-K4GG-P6 | 16.5 | 72.7 | 63.7 | 47.7 | 46.1 | 50.7 | 51.7 | 47.1 | 144 |

Material and Finish

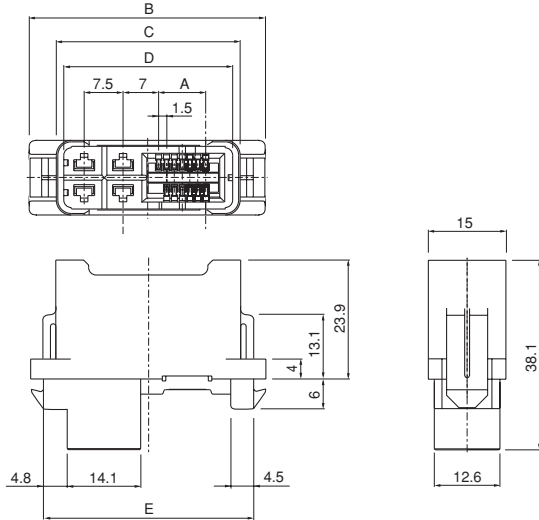
Signal contact: Copper alloy, nickel-undercoated, selective gold-plated, tin-plated (reflow treatment)
Housing: PBT, UL94V-0, black

RoHS compliance This product displays (LF)(SN) on a label.

RWZ CONNECTOR

Plug

Panel lock/ Hybrid type (Connector with integrated signal and power)



| No. of circuits | | Model No. | Dimensions (mm) | | | | | | Q'ty/ box |
|-----------------|--------|---------------------------|-----------------|------|------|------|------|------|--------------|
| Power supply | Signal | | A | B | C | D | E | F | |
| 4 | 13 | 13P-RWZV-K4GG-P4FL | 9.0 | 45.5 | 35.7 | 32.7 | 40.7 | 41.5 | 216 |

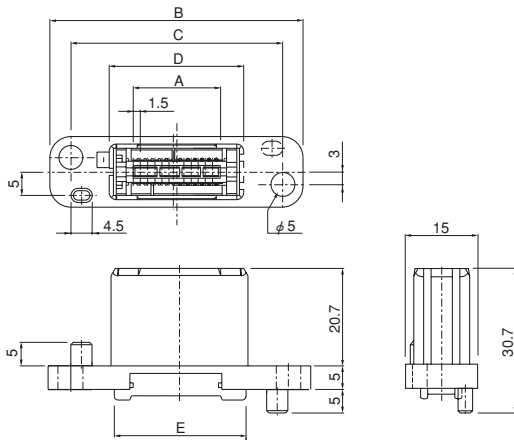
Material and Finish

Signal contact: Copper alloy, nickel-undercoated, selective gold-plated, tin-plated (reflow treatment)
Housing: PBT, UL94V-0, black

RoHS compliance This product displays (LF)(SN) on a label.

Receptacle

Standard/Signal circuit type



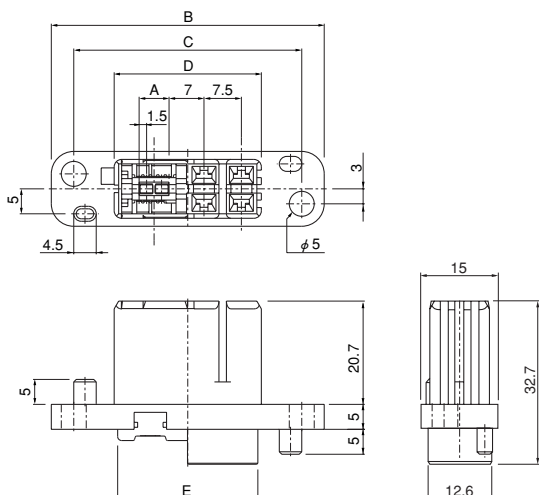
| No. of circuits | | Model No. | Dimensions (mm) | | | | | | | Q'ty/ box |
|-----------------|--------|----------------------|-----------------|------|------|------|------|------|------|--------------|
| Power supply | Signal | | A | B | C | D | E | F | G | |
| 25 | | 25R-RWZV-K2GG | 18.0 | 53.2 | 44.2 | 28.0 | 26.6 | 34.2 | 29.6 | 240 |
| - | 31 | 31R-RWZV-K2GG | 22.5 | 57.7 | 48.7 | 32.5 | 31.1 | 38.7 | 34.1 | 216 |
| - | 33 | 33R-RWZV-K2GG | 24.0 | 59.2 | 50.2 | 34.0 | 32.6 | 40.2 | 35.6 | 240 |

Material and Finish

Contact: Copper alloy, nickel-undercoated, selective gold-plated, tin-plated (reflow treatment)
Housing: PBT, UL94V-0, black

RoHS compliance This product displays (LF)(SN) on a label.

Standard/ Hybrid type (Connector with integrated signal and power)



| No. of circuits | | Model No. | Dimensions (mm) | | | | | | | Q'ty/ box |
|-----------------|--------|-------------------------|-----------------|------|------|------|------|------|------|--------------|
| Power supply | Signal | | A | B | C | D | E | F | G | |
| 2 | 39 | 39R-RWZV-K2GG-P2 | 28.5 | 69.7 | 60.7 | 44.5 | 43.1 | 50.7 | 46.1 | 168 |
| | 9 | 09R-RWZV-K2GG-P4 | 6.0 | 54.7 | 45.7 | 29.5 | 28.1 | 35.7 | 31.1 | 216 |
| 4 | 13 | 13R-RWZV-K2GG-P4 | 9.0 | 57.7 | 48.7 | 32.5 | 31.1 | 38.7 | 34.1 | 216 |
| | 21 | 21R-RWZV-K2GG-P4 | 15.0 | 63.7 | 54.7 | 38.5 | 37.1 | 44.7 | 40.1 | 192 |
| 6 | 19 | 19R-RWZV-K2GG-P6 | 13.5 | 69.7 | 60.7 | 44.5 | 43.1 | 50.7 | 46.1 | 168 |
| | 23 | 23R-RWZV-K2GG-P6 | 16.5 | 72.7 | 63.7 | 47.5 | 46.1 | 53.7 | 49.1 | 144 |

Material and Finish

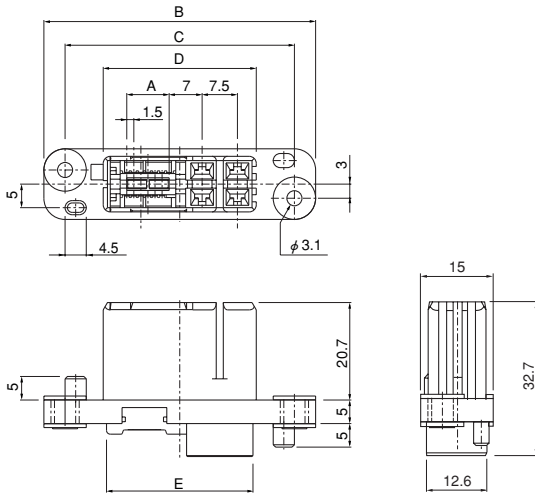
Signal contact: Copper alloy, nickel-undercoated, selective gold-plated, tin-plated (reflow treatment)
Housing: PBT, UL94V-0, black

RoHS compliance This product displays (LF)(SN) on a label.

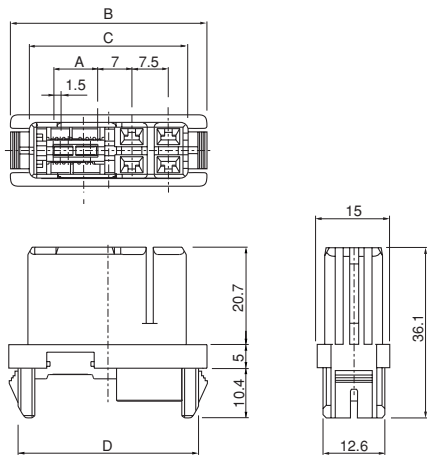
RWZ CONNECTOR

Receptacle

Floating bushing/ Hybrid type (Connector with integrated signal and power)



Panel lock/ Hybrid type (Connector with integrated signal and power)



| No. of circuits | Power supply | Signal | Model No. | Dimensions (mm) | | | | | | | Q'ty/box |
|-----------------|--------------|--------|--------------------|-----------------|------|------|------|------|------|------|----------|
| | | | | A | B | C | D | E | F | G | |
| 2 | | 39 | 39R-RWZV-K2GG-P2BM | 28.5 | 69.7 | 60.7 | 44.5 | 43.1 | 50.7 | 46.1 | 168 |
| 4 | | 9 | 09R-RWZV-K2GG-P4BM | 6.0 | 54.7 | 45.7 | 29.7 | 28.1 | 35.7 | 31.1 | 216 |
| | | 21 | 21R-RWZV-K2GG-P4BM | 15.0 | 63.7 | 54.7 | 38.5 | 37.1 | 44.7 | 40.1 | 192 |

Material and Finish

Signal contact: Copper alloy, nickel-undercoated, selective gold-plated, tin-plated (reflow treatment)
Housing: PBT, UL94V-0, black
Washer: Copper alloy, nickel-plated
Floating rivet: Copper alloy, nickel-plated

RoHS compliance This product displays (LF)(SN) B on a label.

| No. of circuits | Power supply | Signal | Model No. | Dimensions (mm) | | | | | | | Q'ty/box | |
|-----------------|--------------|--------|--------------------|-----------------|------|------|------|------|------|-------|-----------|-----|
| | | | | A | B | C | D | E | F | | | |
| 4 | | 13 | 13R-RWZV-K2GG-P4RL | 9.0 | 40.3 | 32.5 | 36.5 | 36.7 | 37.2 | t=1.2 | t=1.6,2.0 | 264 |

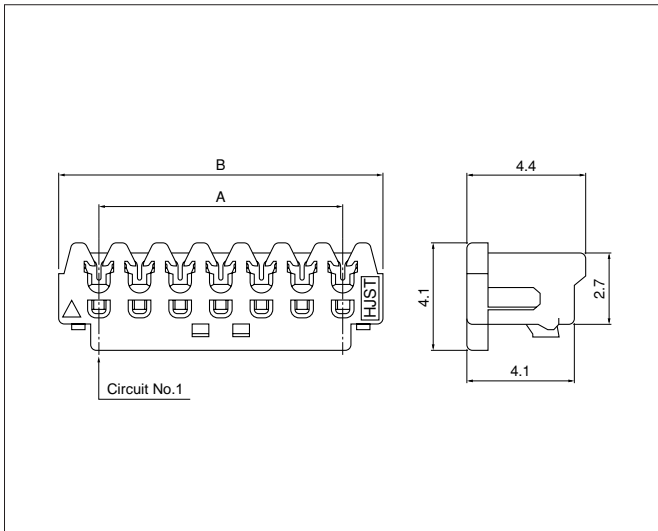
Material and Finish

Signal contact: Copper alloy, nickel-undercoated, selective gold-plated, tin-plated (reflow treatment)
Housing: PBT, UL94V-0, black

RoHS compliance This product displays (LF)(SN) on a label.

RWZ CONNECTOR

CZ connector socket



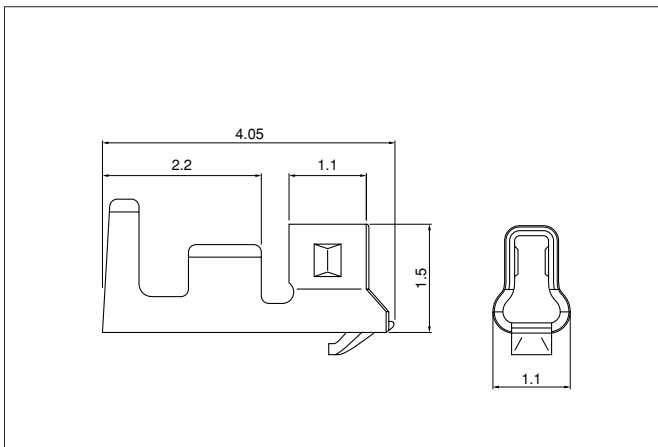
| No. of circuits | Model No. | | Dimensions (mm) | | Q'ty/box |
|-----------------|----------------|----------------|-----------------|------|----------|
| | Gray | Yellow | A | B | |
| 4 | 04CZ-6H | 04CZ-6Y | 4.5 | 7.5 | 2,000 |
| 5 | 05CZ-6H | 05CZ-6Y | 6.0 | 9.0 | 2,000 |
| 6 | 06CZ-6H | 06CZ-6Y | 7.5 | 10.5 | 2,000 |
| 7 | 07CZ-6H | 07CZ-6Y | 9.0 | 12.0 | 2,000 |
| 9 | 09CZ-6H | 09CZ-6Y | 12.0 | 15.0 | 1,000 |
| 10 | 10CZ-6H | 10CZ-6Y | 13.5 | 16.5 | 1,000 |
| 11 | 11CZ-6H | 11CZ-6Y | 15.0 | 18.0 | 1,000 |
| 12 | 12CZ-6H | 12CZ-6Y | 16.5 | 19.5 | 1,000 |
| 13 | 13CZ-6H | 13CZ-6Y | 18.0 | 21.0 | 1,000 |
| 15 | 15CZ-6H | 15CZ-6Y | 21.0 | 24.0 | 1,000 |
| 16 | 16CZ-6H | 16CZ-6Y | 22.5 | 25.5 | 1,000 |
| 17 | 17CZ-6H | 17CZ-6Y | 24.0 | 27.0 | 1,000 |
| 19 | 19CZ-6H | 19CZ-6Y | 27.0 | 30.0 | 1,000 |
| 20 | 20CZ-6H | 20CZ-6Y | 28.5 | 31.5 | 1,000 |

Material and Finish

Contact: Copper alloy, tin-plated (reflow treatment)
Housing: Glass-filled PA 66, UL94V-0

RoHS compliance

CZH connector contact



| Model No. | Applicable wire | | Insulation O.D. (mm) | Q'ty/reel |
|-----------------------|-----------------|-------|----------------------|-----------|
| | mm ² | AWG # | | |
| SCZH-002T-P0.5 | 0.08~0.13 | 28~26 | 0.8~1.1 | 13,000 |

Material and Finish

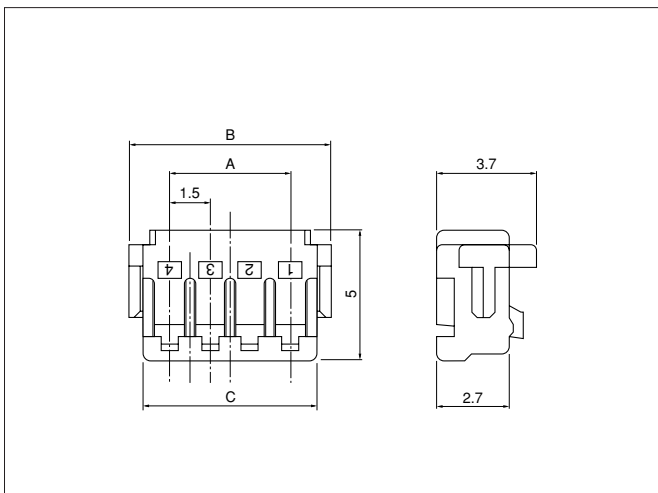
Copper alloy, tin-plated (reflow treatment)

RoHS compliance

| Contact | Crimping machine | Applicator | | |
|-----------------------|------------------|------------------|----------------|----------------------------|
| | | Crimp applicator | Dies | Crimp applicator with dies |
| SCZH-002T-P0.5 | AP-K2N | MKS-L | MK/SCZH-002-05 | APLMK SCZH002-05 |
| | | — | — | — |

Note: Contact JST for fully automatic crimping applicator.

CZH connector housing



| No. of circuits | Model No. | Dimensions (mm) | | | Q'ty/box |
|-----------------|-------------------|-----------------|------|------|----------|
| | | A | B | C | |
| 4 | CZHR-04V-S | 4.5 | 7.5 | 6.5 | 1,000 |
| 5 | CZHR-05V-S | 6.0 | 9.0 | 8.0 | 1,000 |
| 6 | CZHR-06V-S | 7.5 | 10.5 | 9.5 | 1,000 |
| 7 | CZHR-07V-S | 9.0 | 12.0 | 11.0 | 1,000 |
| 9 | CZHR-09V-S | 12.0 | 15.0 | 14.0 | 1,000 |
| 10 | CZHR-10V-S | 13.5 | 16.5 | 15.5 | 1,000 |
| 11 | CZHR-11V-S | 15.0 | 18.0 | 17.0 | 1,000 |
| 12 | CZHR-12V-S | 16.5 | 19.5 | 18.5 | 1,000 |
| 13 | CZHR-13V-S | 18.0 | 21.0 | 20.0 | 1,000 |
| 15 | CZHR-15V-S | 21.0 | 24.0 | 23.0 | 1,000 |
| 16 | CZHR-16V-S | 22.5 | 25.5 | 24.5 | 1,000 |
| 17 | CZHR-17V-S | 24.0 | 27.0 | 26.0 | 1,000 |
| 19 | CZHR-19V-S | 27.0 | 30.0 | 29.0 | 1,000 |
| 20 | CZHR-20V-S | 28.5 | 31.5 | 30.5 | 1,000 |

Material

PBT, UL94V-0, natural (white)

RoHS compliance