



Relays, Contactors & Switches > Relays > Signal Relays > AXICOM MT2 HIGH SENSITIVE



Contact Voltage Rating: **220 VDC**

Signal Relay Coil Power Rating (DC): **150 mW**

Isolation (HF Parameter): **-14.2dB @ 900MHz, -31.8dB @ 100MHz**

Insertion Loss (HF Parameter): **-.02dB @ 100MHz, -.97dB @ 900MHz**

[All AXICOM MT2 HIGH SENSITIVE \(7\)](#)

**Features**

**Product Type Features**

Relay Type	MT2 Relay
Relay Style	MT2 Relay
Product Type	Relay

**Electrical Characteristics**

Coil Power Rating Class	100 – 150 mW
Actuating System	DC
Insulation Initial Dielectric Between Open Contacts	750 Vrms
Contact Limiting Short-Time Current	2 A
Insulation Initial Dielectric Between Contacts and Coil	1050 Vrms
Insulation Initial Dielectric Between Coil/Contact Class	1000 V – 1500 VA
Voltage Standing Wave Ration (HF Parameter)	1.03 @ 100MHz, 1.31 @ 900MHz
Insulation Initial Dielectric Between Adjacent Contacts	750 Vrms
Power Consumption	150 mW
Insulation Initial Resistance	1000 MΩ
Contact Limiting Making Current	2 A
Coil Resistance	968 Ω
Contact Limiting Continuous Current	2 A
Coil Type	Monostable

Contact Limiting Breaking Current	2 A
Contact Switching Load (Min)	10mA @ .02V
Coil Special Features	High Sensitive Version
Contact Voltage Rating	220 VDC
Signal Relay Coil Power Rating (DC)	150 mW
Signal Relay Coil Voltage Rating	12 VDC
Signal Relay Contact Switching Voltage (Max)	220 VDC
Signal Relay Coil Magnetic System	Monostable, DC

### Signal Characteristics

Isolation (HF Parameter)	-14.2dB @ 900MHz, -31.8dB @ 100MHz
Insertion Loss (HF Parameter)	-.02dB @ 100MHz, -.97dB @ 900MHz

### Body Features

Weight	5 g[.1764 oz]
--------	---------------

### Contact Features

Contact Plating Material	Gold
Contact Current Class	0 – 2 A
Contact Special Features	Bifurcated/Twin Contacts
Signal Relay Terminal Type	PCB-THT
Signal Relay Contact Current Rating	2 A
Signal Relay Contact Arrangement	2 Form C (2 CO)
Contact Material	Nickel-Titanium
Contact Number of Poles	2

### Termination Features

Termination Type	Through Hole
------------------	--------------

### Mechanical Attachment

Signal Relay Mounting Type	Printed Circuit Board
----------------------------	-----------------------

### Dimensions

Width Class (Mechanical)	8 – 10 mm
Width	10 mm[.394 in]
Height	10.8 mm[.425 in]
Length Class (Mechanical)	20 – 25 mm
Height Class (Mechanical)	10 – 11 mm

Length	20.2 mm[.795 in]
Dimensions (L x W x H) (Approximate)	20.2 x 10 x 10.8 mm

### Usage Conditions

Environmental Ambient Temperature (Max)	85 °C[185 °F]
Environmental Ambient Temperature Class	70 – 85°C
Operating Temperature Range	-55 – 85 °C

### Operation/Application

Performance Type	Standard
------------------	----------

### Packaging Features

Packaging Method	Box & Tube
------------------	------------

## Product Compliance

[For compliance documentation, visit the product page on TE.com>](#)

EU RoHS Directive 2011/65/EU	Compliant
EU ELV Directive 2000/53/EC	Compliant
China RoHS 2 Directive MIIT Order No 32, 2016	No Restricted Materials Above Threshold
EU REACH Regulation (EC) No. 1907/2006	Current ECHA Candidate List: JAN 2022 (223) Candidate List Declared Against: JAN 2022 (223) Does not contain REACH SVHC
Halogen Content	Not Low Halogen - contains Br or Cl > 900 ppm.
Solder Process Capability	Wave solder capable to 265°C

#### Product Compliance Disclaimer

This information is provided based on reasonable inquiry of our suppliers and represents our current actual knowledge based on the information they provided. This information is subject to change. The part numbers that TE has identified as EU RoHS compliant have a maximum concentration of 0.1% by weight in homogenous materials for lead, hexavalent chromium, mercury, PBB, PBDE, DBP, BBP, DEHP, DIBP, and 0.01% for cadmium, or qualify for an exemption to these limits as defined in the Annexes of Directive 2011/65/EU (RoHS2). Finished electrical and electronic equipment products will be CE marked as required by Directive 2011/65/EU. Components may not be CE marked. Additionally, the part numbers that TE has identified as EU ELV compliant have a maximum concentration of 0.1% by weight in homogenous materials for lead, hexavalent chromium, and mercury, and 0.01% for cadmium, or qualify for an exemption to these limits as defined in the Annexes of Directive 2000/53/EC (ELV). Regarding the REACH Regulation, the information TE provides on SVHC in articles for this part number is based on the latest European Chemicals Agency (ECHA) 'Guidance on requirements for substances in articles' posted at this URL: <https://echa.europa.eu/guidance-documents/guidance-on-reach>

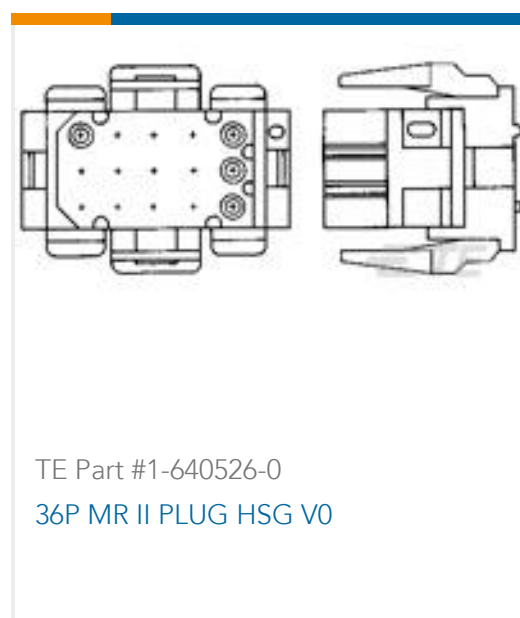
## Compatible Parts



### Also in the Series | [Axicom MT2 Relay](#)



### Customers Also Bought





## Documents

### CAD Files

#### 3D PDF

3D

#### Customer View Model

[ENG\\_CVM\\_CVM\\_1462000-7\\_C.2d\\_dxf.zip](#)

English

#### Customer View Model

[ENG\\_CVM\\_CVM\\_1462000-7\\_C.3d\\_igs.zip](#)

English

#### Customer View Model

[ENG\\_CVM\\_CVM\\_1462000-7\\_C.3d\\_stp.zip](#)

English

By downloading the CAD file I accept and agree to the [Terms and Conditions](#) of use.

### Datasheets & Catalog Pages

[Transportation, Storage, Handling, Assembly and Testing of AXICOM THT Relays](#)

English

[Industrial Relays Quick Reference Guide](#)

English

[Industrial Relays Quick Reference Guide](#)

Japanese

[Industrial Relays Quick Reference Guide](#)

[MT2 Relay Datasheet](#)

English

### Product Specifications

[Definitions, Handling, Processing, Testing and Use of Relays](#)

English

### Product Environmental Compliance

[MD\\_1462000-7\\_062920142322\\_dmtec](#)

English

[MD\\_1462000-7\\_062920142322\\_dmtec](#)

English