

USB 2.0 - A Connector



Features

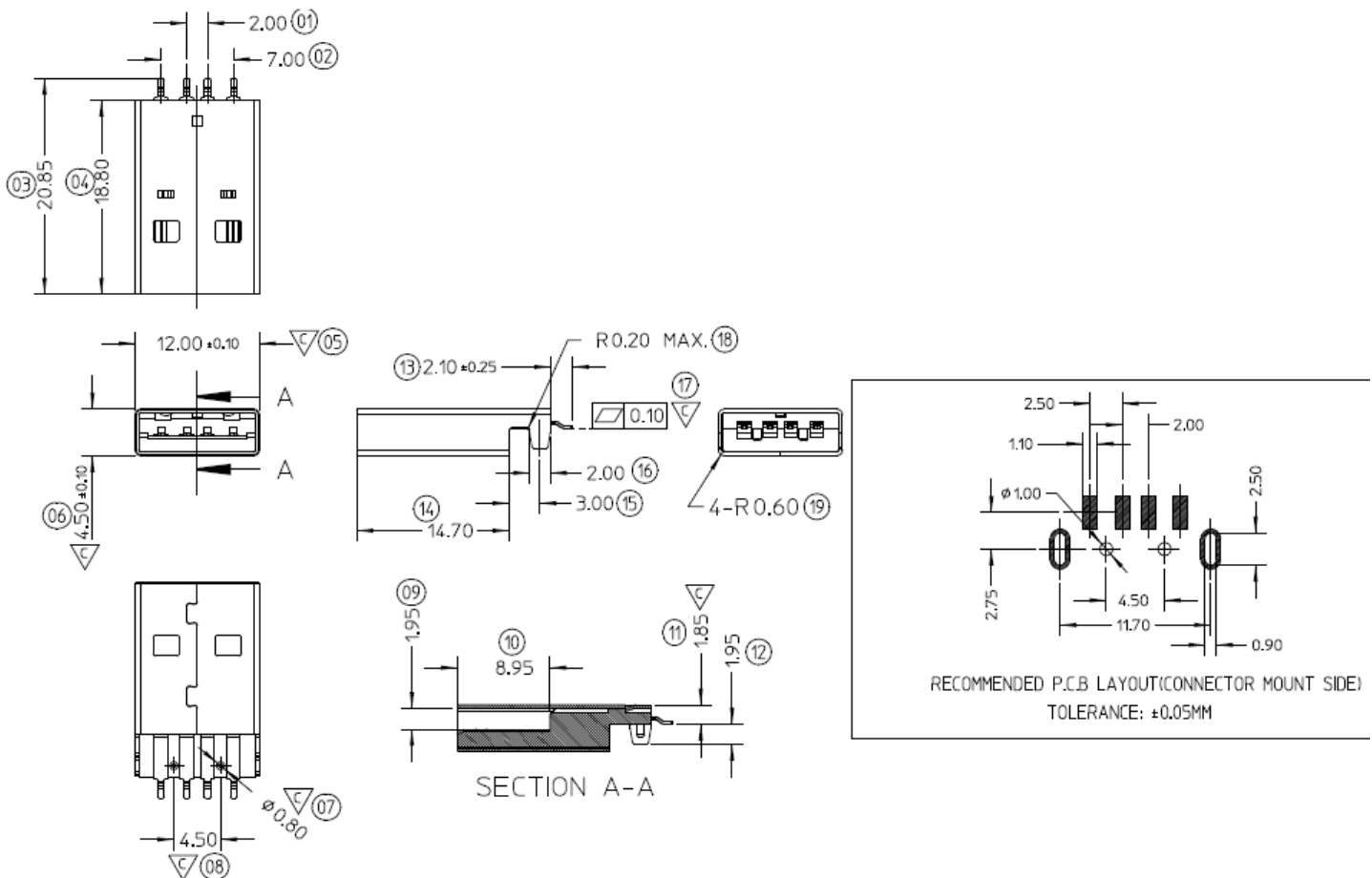
- Male
- Straight mounting type
- RoHS compliant
- 8 flash
- Blue insulator colour
- 0



Specification

Housing Material	LCP, UL94V-0
Terminal Material	Brass
Shell Material	SPCC
Current Rating	1.5 A max. per Pin
Contact Resistance (Low Level)	30 mOhm max. initial.
Insulation Resistance	1000 MOhm min. initial.
Dielectric Withstanding Voltage	500 VAC
Operating Temperature Min.	-55 °C
Operating Temperature Max.	85 °C

Drawing



Art Nr:

RND 205-01043