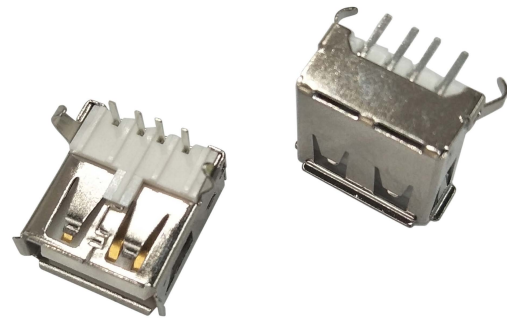


USB 2.0 - A Connector

Features

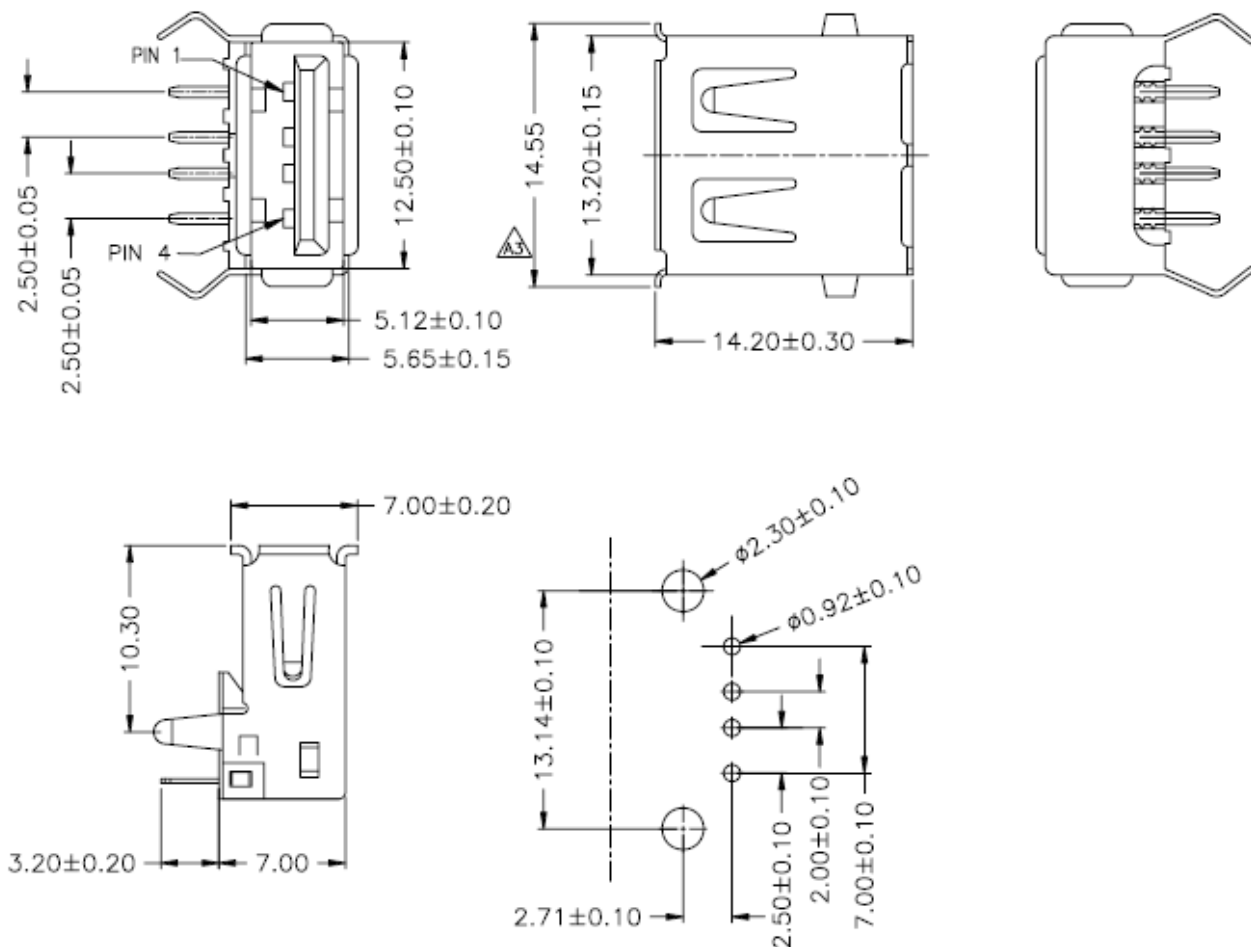
- 7
- Angled mounting type
- 0
- 8
- White
- 0



Specification

Contact Material	Brass
Insulator Material	LCP, UL 94V-0
Shell Material	Brass
Current Rating	1.5 A
Contact Resistance	30 mOhm max.
Insulation Resistance @ 500 VDC	1000 MOhm
Dielectric Withstanding Voltage	500 VAC RMS
Operating Temperature Min.	-55 °C
Operating Temperature Max.	85 °C

Drawing



Art Nr:

RND 205-01039