

USB 3.1 - C Connector

Features

- Male
- Straight mounting type
- RoHS compliant
- Selective gold 3U"
- Black insulator colour
- O

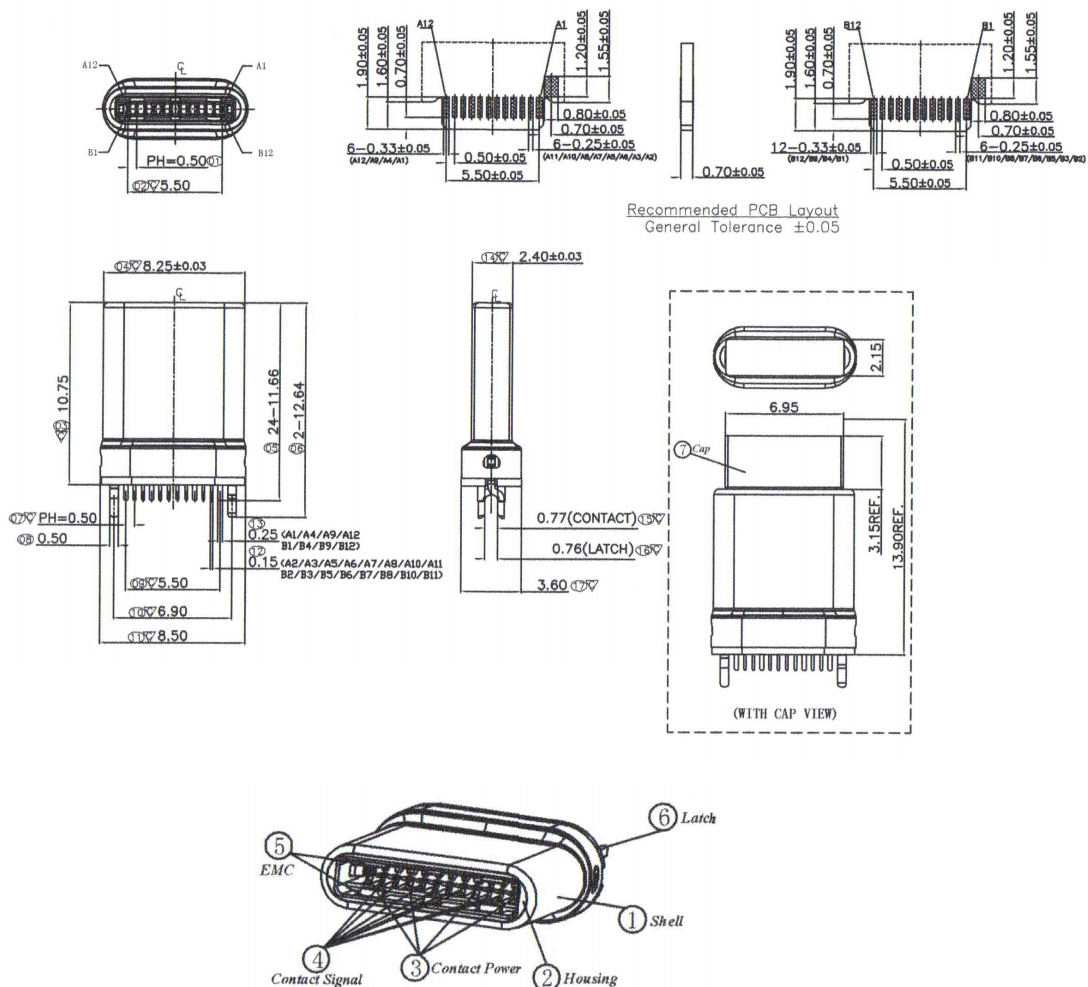


Specification

| | |
|---------------------------------|--|
| Housing Material | High Temperature Resistant Plastic, UL94-V0 |
| Contact Material | Copper Alloy |
| Latch Material | SUS |
| Shell Material | SUS |
| Contact Finish Material | Ni Under Plated Over All, Au Plated Over the Functional Area of Contact |
| Latch Finish Material | Ni Under Plated Over All, Sn Plated on Solder Area |
| Insertion Force | 5~20 N |
| Extraction Force | 8~20 N Initial, 6~20 N After Durability |
| Durability | 10000 Cycles |
| Current Rating | 5 A for Pin (A1, A9, B4, B9); 1.25 A for Other Pin |
| Contact Resistance | 40 mOhm Max. |
| Insulation Resistance | 100 MOhm Min. |
| Dielectric Withstanding Voltage | 100 VAC for 1 Min. |
| Operating Temperature Min. | -25 °C |
| Operating Temperature Max. | 85 °C |

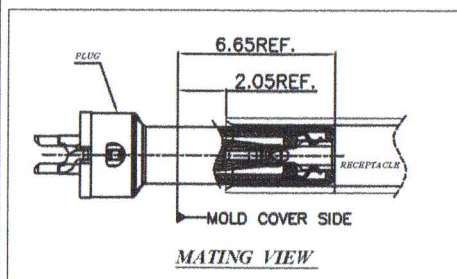
USB 3.1 - C Connector

Drawing



Recommended PCB Layout
General Tolerance ± 0.05

| PIN ASSIGNMENT | | | |
|----------------|-------------|------------|-------------|
| PIN NUMBER | SIGNAL NAME | PIN NUMBER | SIGNAL NAME |
| A1 | GND | B12 | GND |
| A2 | TX1+ | B11 | RX1+ |
| A3 | TX1- | B10 | RX1- |
| A4 | VBUS | B9 | VBUS |
| A5 | CC1 | B8 | SBU2 |
| A6 | D+ | B7 | D- |
| A7 | D- | B6 | D+ |
| A8 | SBU1 | B5 | CC2 |
| A9 | VBUS | B4 | VBUS |
| A10 | RX2- | B3 | TX2- |
| A11 | RX2+ | B2 | TX2+ |
| A12 | GND | B1 | GND |



Art Nr:
RND 205-01050