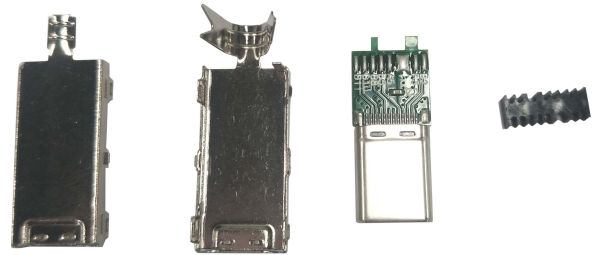


USB 3.1 - C Connector

Features

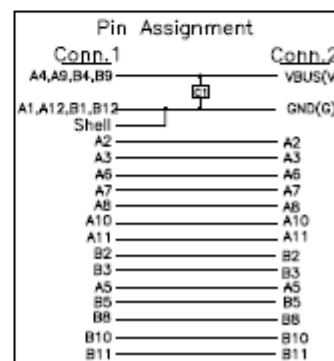
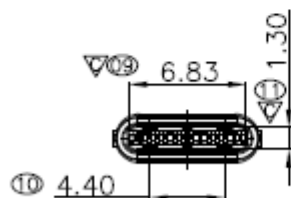
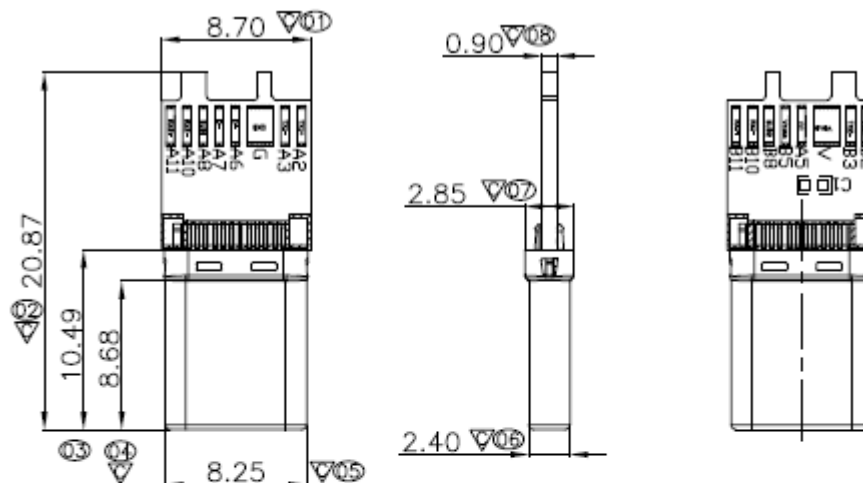
- Male
- Straight mounting type
- RoHS compliant
- 8 flash
- Black insulator colour
- 0



Specification

Housing Material	Thermoplastic, UL94V-0
Contact Material	Copper Alloy
Shell Material	Steel
Current Rating	3 A for VBUS
Contact Resistance	40 mOhm max.
Insulation Resistance	100 MOhm min. @ 100 VDC

Drawing



Art Nr:
RND 205-01052