

Features

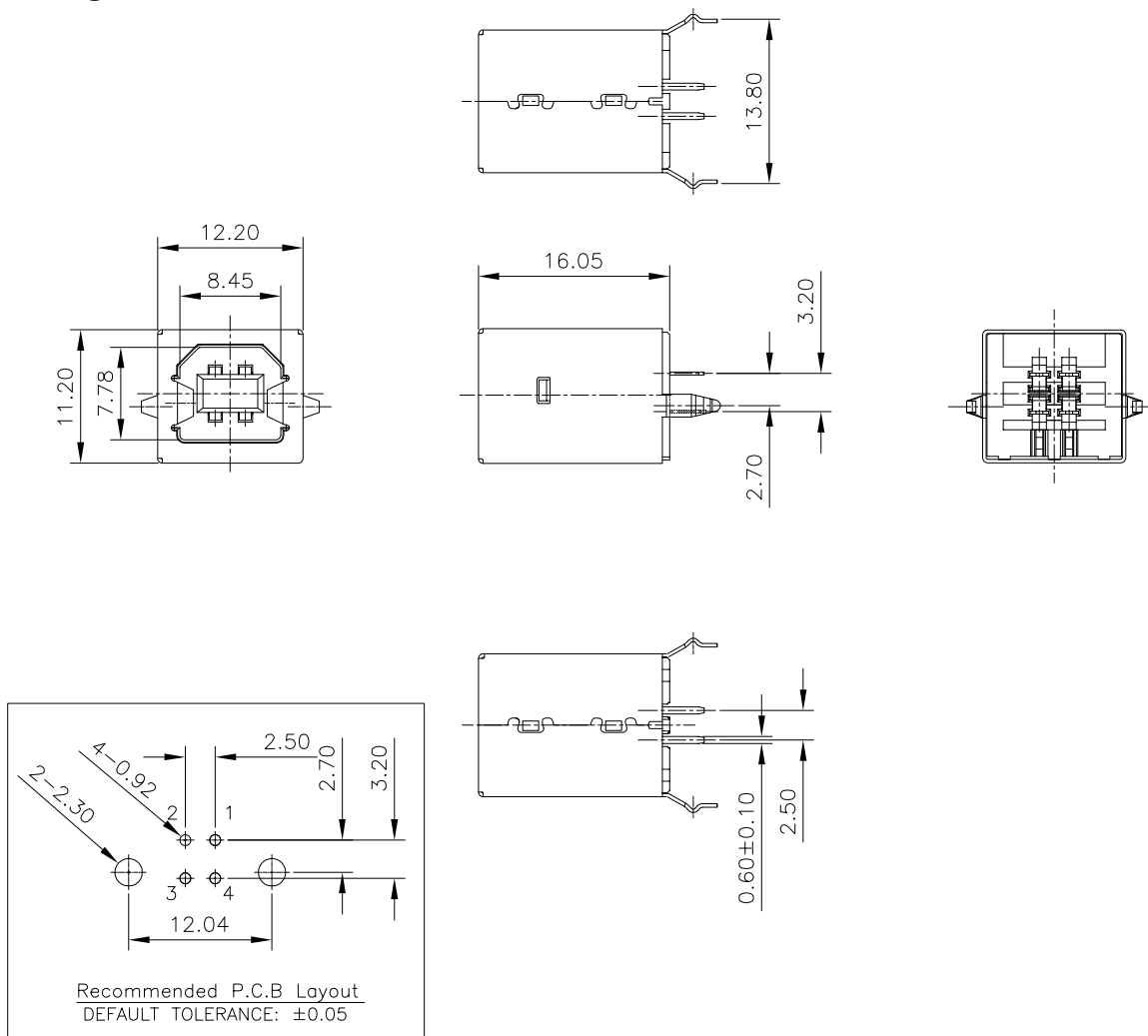
- Female
- Straight mounting type
- Low heavy metal
- 8 flash
- Black insulator colour
- 0



Specification

Housing Material	PBT, UL94V-0
Contact Material	Brass
Shell Material	Brass
Current Rating	1.5 A @ max.
Contact Resistance (Low Level)	30 mOhm max.
Insulation Resistance	1000 MOhm min.
Dielectric Withstanding Voltage	500 VAC
Operating Temperature Min.	-55 °C
Operating Temperature Max.	85 °C

Drawing



Art Nr:

RND 205-01047