

Micro† z%2.0 - Micro B & óÔ



Features

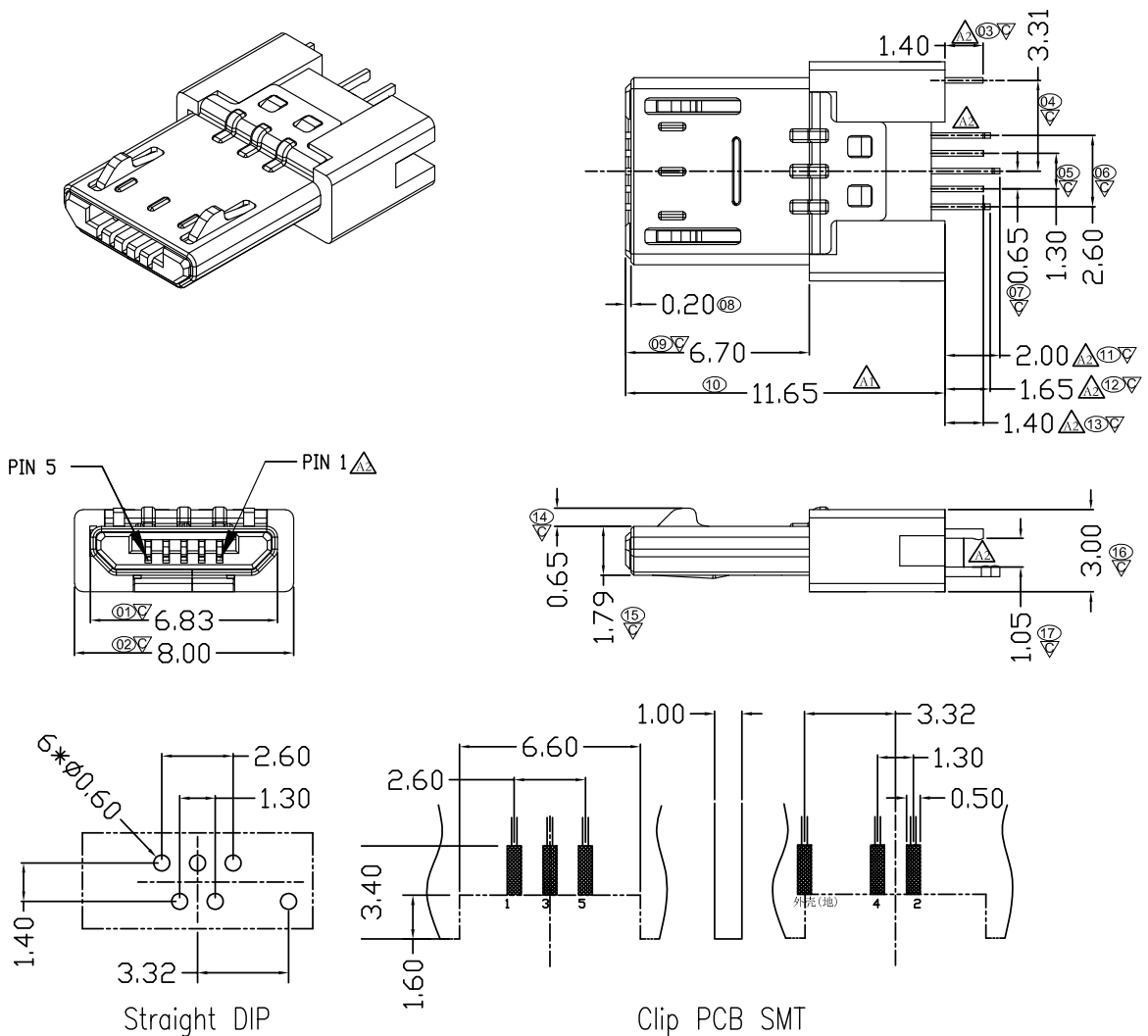
- Male
- Straight mounting type
- RoHS compliant
- 8 flash
- Black insulator colour
- 0



Specification

Housing Material	LCP, UL94V-0
Terminal Material	Brass
Shell Material	SUS
Current Rating	1 A @ 250 VAC
Voltage Rating	30 V
Contact Resistance	50 mOhm max.
Insulation Resistance	100 MOhm min.
Dielectric Withstanding Voltage	100 VAC for 1 min.
Operating Temperature Min.	-25 °C
Operating Temperature Max.	85 °C
Insertion Force	35 N max.
Extraction Force	7 N max.

Drawing



Recommended P.C.B Layout
(PCB Borad Tolerance±0.05)