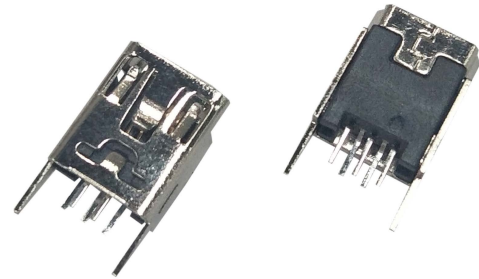


Mini USB 2.0 - B Connector



Features

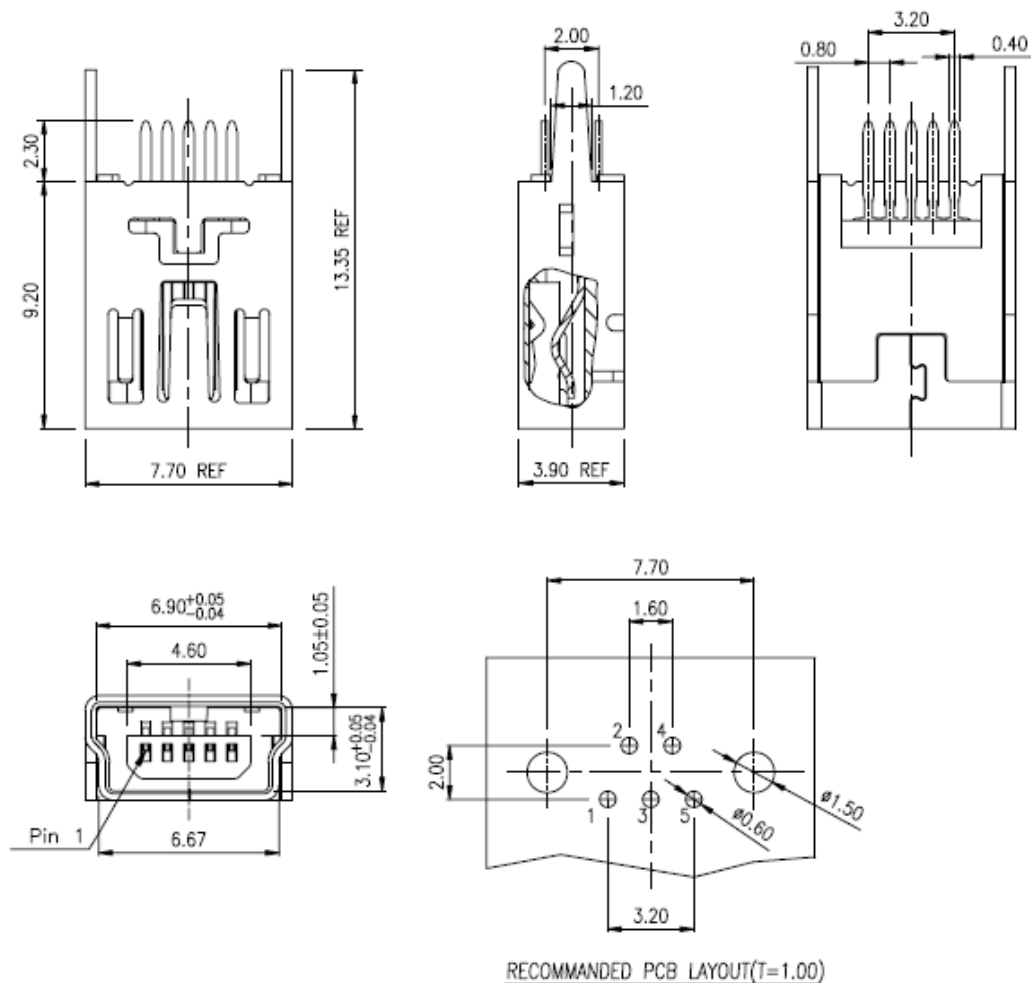
- Female
- Straight mounting type
- Low heavy metal
- 8 flash
- Black insulator colour
- 0



Specification

Housing Material	LCP, UL-94V-0
Contact Material	Copper Alloy
Shell Material	Brass
Current Rating	1 A max Per Pin
Contact Resistance (Low Level)	50 mOhm max.
Insulation Resistance	100 MOhm min. @ 500 VDC
Dielectric Withstanding Voltage	100 VAC
Operating Temperature Min.	-55 °C
Operating Temperature Max.	85 °C

Drawing



Art Nr:

RND 205-01054