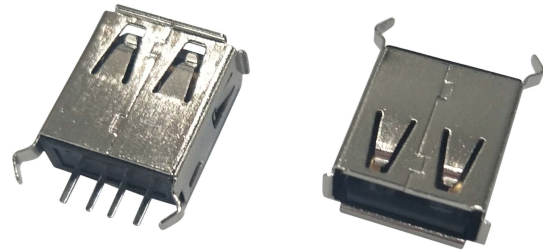


USB 2.0 - A Connector



Features

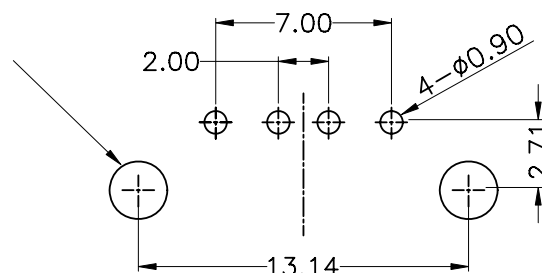
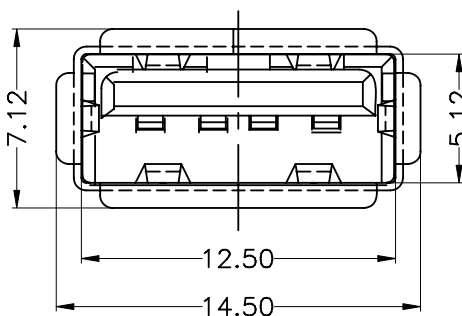
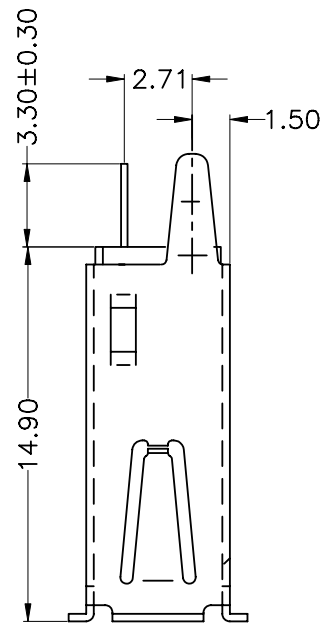
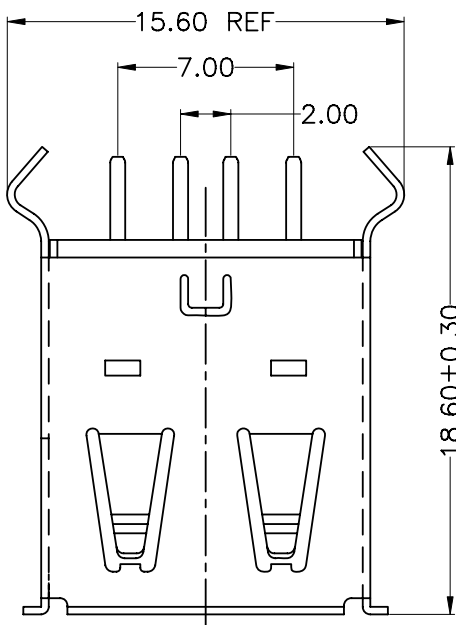
- 7
- Straight mounting type
- 0
- 8
- "
- 0



Specification

Housing Material	PBT, UL94V-0
Terminal Material	Copper Alloy
Shell Material	Copper Alloy
Current Rating	1.5 A max. per Pin
Contact Resistance (Low Level)	30 mOhm max.
Insulation Resistance @ 500 VDC	1000 MOhm
Dielectric Withstanding Voltage	500 VAC
Operating Temperature Min.	-55 °C
Operating Temperature Max.	85 °C

Drawing



RECOMMENDED PCB LAYOUT(TOP VIEW)
GENERAL TOLERANCES: ±0.05