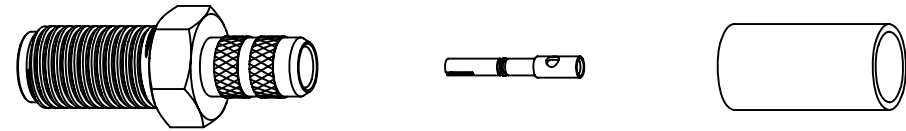
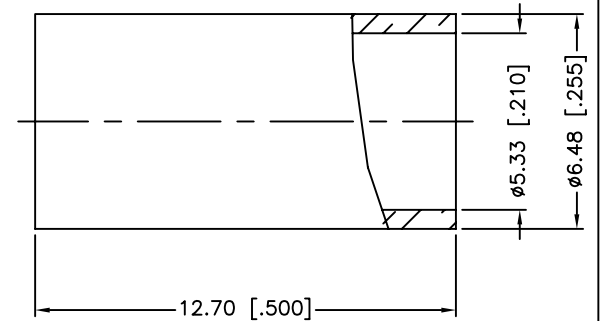
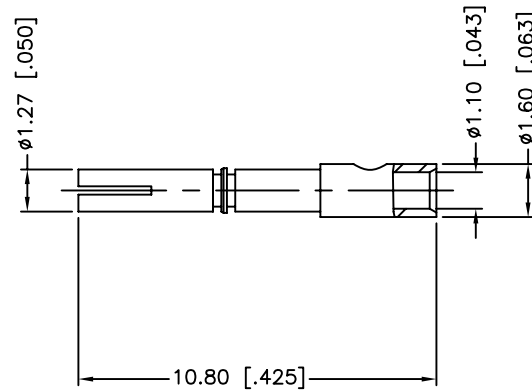
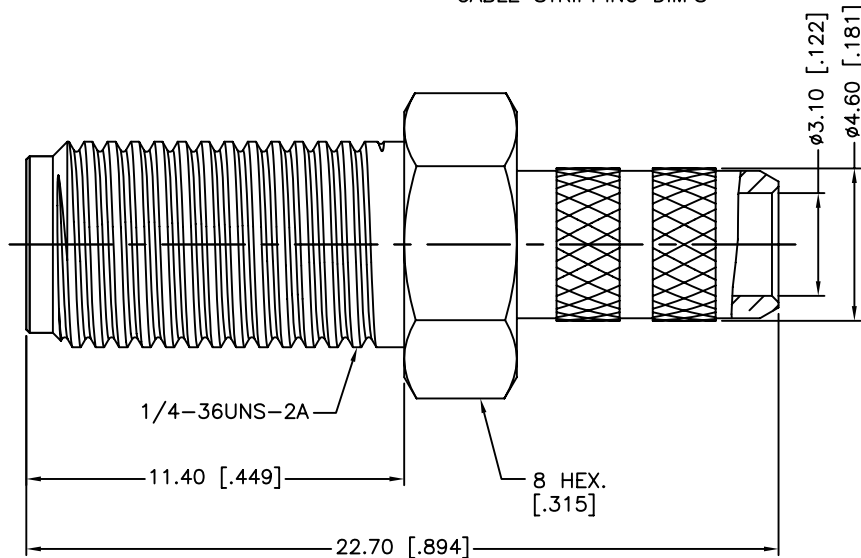


RECOMMENDED
CABLE STRIPPING DIM'S



REV.	DATE	ECR NO.	DESCRIPTION
NC	10/10/07	XXXXXX	INITIAL RELEASE
A	10/18/11	2232	CHANGE THE CENTER CONTACT
B	09/14/12	2372	CHANGE THE CENTER CONTACT AND BODY



1. IMPEDANCE: 50 OHM
2. FREQUENCY RANGE: DC 0-12.4 GHZ
3. DIELECTRIC WITHSTANDING VOLTAGE: 1000 VRMS, MIN.
4. CRIMPED FERRULE
HEX CRIMP SIZE .213"
5. CONTACT PIN TO SOLDER

QTY	DESCRIPTION	MATERIAL	FINISH
1	FERRULE	COPPER	GOLD
3	CONTACT PIN	BER. COPPER	GOLD
2	INSULATOR	PTFE	NATURAL
1	BODY	BRASS	GOLD

UNLESS OTHERWISE SPECIFIED DIMENSIONS ARE IN MILLIMETERS. DIMENSIONS IN [] ARE IN INCHES AND FOR CUSTOMER REFERENCE ONLY.

UNLESS OTHERWISE SPECIFIED TOLERANCES FOR MILLIMETERS ARE:
 0.5 - 8mm ± 0.20mm
 8 - 30mm ± 0.40mm
 30 - 120mm ± 0.50mm

UNLESS OTHERWISE SPECIFIED TOLERANCES FOR INCHES ARE:
 .020 - .315 = ± 0.007"
 .315 - 1.180 = ± 0.015"
 1.180 - 4.724 = ± 0.020"

DO NOT SCALE DRAWING

APPROVALS	DATE
DRAWN M.ZHANG	09/14/12
CHECKED	
ISSUED	
SHEET 1 OF 1	
CAD FILE C:/CONNEX/132116.DWG	

PART DESCRIPTION			
Amphenol Connex			
SMA CRIMP JACK (FOR RG-58C/U, 58/U CABLE)			
PART NO.		132116	
DWG. NO.	132116.DWG	REV.	B
SIZE	A	SCALE	NA