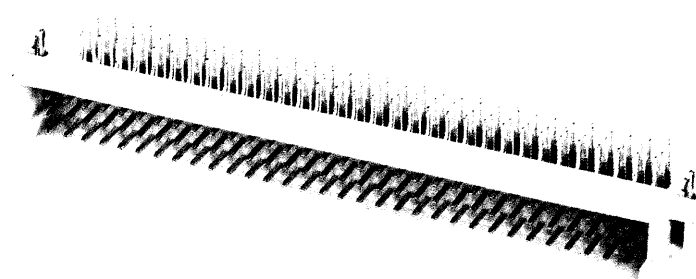


Number of contacts

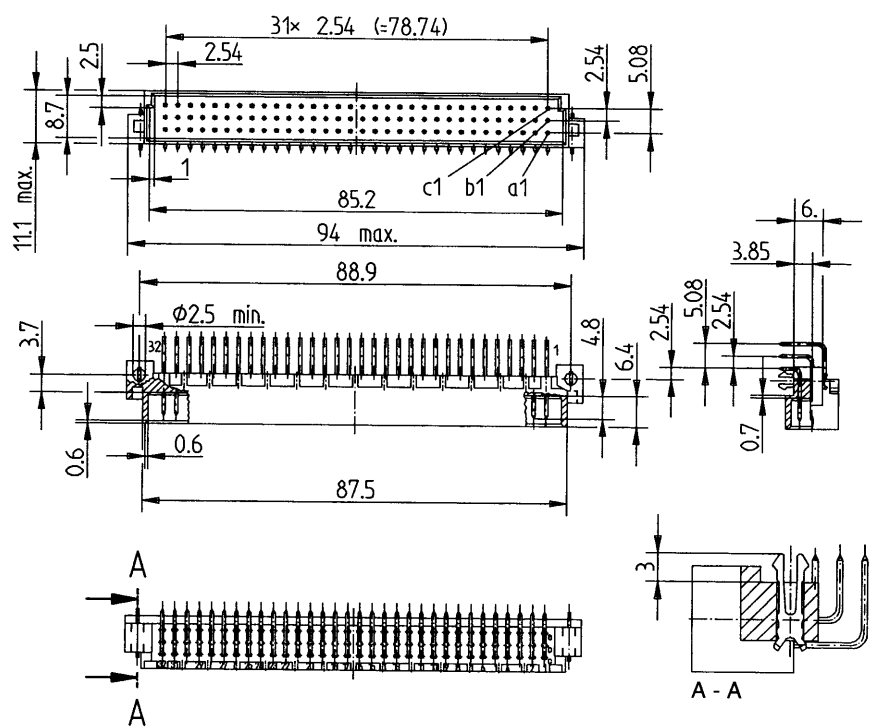
96, 64



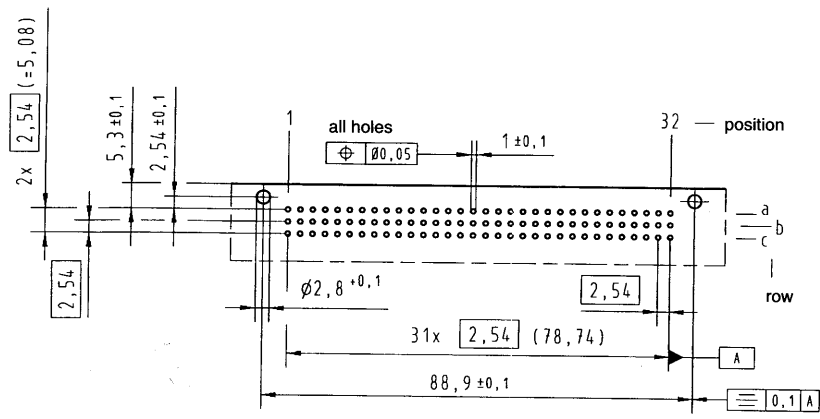
Male connectors, angled

Identification	Number of contacts	Contact arrangement	Part No.	Performance levels according to DIN 41 612. Explanation chapter 00	1
Male connector with retention clip	96		09 03 396 6919	<i>ℓ</i>	09 03 396 2919
	64		09 03 364 6919	<i>ℓ</i>	09 03 364 2919

Dimensions



Board drillings



Dimensions in mm