

Cree® P4 LED CP41B-WES/WGS



PRODUCT DESCRIPTION

This revolutionary package design allows the lighting designer to reduce the number of LEDs required and provide a more uniform and unique illuminated appearance than with other LED solutions.

This is possible through the efficient optical-package design and high-current capabilities. The low-profile package can be easily coupled with reflectors or lenses to efficiently distribute light and provide the desired lit appearance. This product family employs green and blue LED materials, which allows designers to match the color of many lighting applications such as vehicle signal lamps and amusement lighting.

FEATURES

- Size (mm): 7.6 X 7.6
- Color Temperatures:
Cool White :
Min . (4600K) / Typical (9000K)
- Luminous Flux (mlm):
CP41B-WES:(3850-11000)
CP41B-WGS:(3850-11000)
- Viewing angle:
CP41B-WES: 60 degree
CP41B-WGS: 90 degree
- Lead-Free
- RoHS Compliant

APPLICATIONS

- Channel Letter
- Amusement

ABSOLUTE MAXIMUM RATINGS ($T_A = 25^\circ\text{C}$)

| Items | Symbol | Absolute Maximum Rating | Unit |
|--------------------------------------|-----------|---|------------------|
| | | CP41B-WES/WGS | |
| Forward Current | I_F | 35 | mA |
| Peak Forward Current ^{Note} | I_{FP} | 100 | mA |
| Reverse Voltage | V_R | 5 | V |
| Power Dissipation | P_D | 154 | mW |
| Operation Temperature | T_{opr} | -40 ~ +95 | $^\circ\text{C}$ |
| Storage Temperature | T_{stg} | -40 ~ +100 | $^\circ\text{C}$ |
| Lead Soldering Temperature | T_{sol} | Max. 260 $^\circ\text{C}$ for 3 sec. max. (3 mm from the base of the epoxy bulb) | |

Note: Pulse width ≤ 0.1 msec, duty $\leq 1/10$.

TYPICAL ELECTRICAL & OPTICAL CHARACTERISTICS ($T_A = 25^\circ\text{C}$)

| Characteristics | Color | Symbol | Condition | Unit | Minimum | Typical | Maximum |
|--------------------------|---------------|-----------------|---------------|---------------|---------|---------|---------|
| Forward Voltage | CP41B-WES/WGS | V_F | $I_F = 30$ mA | V | | 3.6 | 4.4 |
| Reverse Current | CP41B-WES/WGS | I_R | $V_R = 5$ V | μA | | | 100 |
| Luminous Flux | CP41B-WES/WGS | Φ_v | $I_F = 30$ mA | mlm | 3850 | 7000 | |
| Luminous Intensity | CP41B-WES | I_v | $I_F = 30$ mA | mcd | | 5200 | |
| | CP41B-WGS | I_v | $I_F = 30$ mA | mcd | | 3000 | |
| Chromaticity Coordinates | CP41B-WES/WGS | x | $I_F = 30$ mA | | | 0.2895 | |
| | CP41B-WES/WGS | y | $I_F = 30$ mA | | | 0.2905 | |
| 50% Power Angle | CP41B-WES | $2\theta_{1/2}$ | $I_F = 30$ mA | deg | | 60 | |
| | CP41B-WGS | $2\theta_{1/2}$ | $I_F = 30$ mA | deg | | 90 | |

FLUX BIN LIMIT ($I_F = 30 \text{ mA}$)

Cool White(CP41B-WES/WGS)

| Bin Code | Min.(mlm) | Max.(mlm) |
|----------|-----------|-----------|
| K0 | 3850 | 4400 |
| L0 | 4400 | 5500 |
| M0 | 5500 | 6600 |
| N0 | 6600 | 8730 |
| P0 | 8730 | 11000 |

- Tolerance of measurement of luminous flux is $\pm 15\%$

VF BIN LIMIT ($I_F = 30 \text{ mA}$)

Cool White (CP41B-WES/WGS)

| Bin Code | Min.(V) | Max.(V) |
|----------|---------|---------|
| 27 | 2.8 | 3.0 |
| 28 | 3.0 | 3.2 |
| 29 | 3.2 | 3.4 |
| 2a | 3.4 | 3.6 |
| 2b | 3.6 | 3.8 |
| 2c | 3.8 | 4.0 |
| 2d | 4.0 | 4.2 |
| 2e | 4.2 | 4.4 |

- Tolerance of measurement of VF is $\pm 0.05\text{V}$.

COLOR BIN LIMIT ($I_f = 30 \text{ mA}$)

| Bin Code | Sub-bin | x | y |
|----------|---------|--------|--------|
| W1 | Wa1 | 0.2449 | 0.2288 |
| | | 0.2497 | 0.2384 |
| | | 0.2543 | 0.2356 |
| | | 0.2497 | 0.2267 |
| | Wa2 | 0.2497 | 0.2267 |
| | | 0.2543 | 0.2356 |
| | | 0.2589 | 0.2328 |
| | | 0.2545 | 0.2245 |
| | Wa3 | 0.2497 | 0.2384 |
| | | 0.2545 | 0.2480 |
| | | 0.2589 | 0.2445 |
| | | 0.2543 | 0.2356 |
| | Wa4 | 0.2543 | 0.2356 |
| | | 0.2589 | 0.2445 |
| | | 0.2633 | 0.2410 |
| | | 0.2589 | 0.2328 |
| | Wb1 | 0.2545 | 0.2245 |
| | | 0.2589 | 0.2328 |
| | | 0.2635 | 0.2299 |
| | | 0.2593 | 0.2223 |
| | Wb2 | 0.2593 | 0.2223 |
| | | 0.2635 | 0.2299 |
| | | 0.2680 | 0.2270 |
| | | 0.2640 | 0.2200 |
| | Wb3 | 0.2589 | 0.2328 |
| | | 0.2633 | 0.2410 |
| | | 0.2677 | 0.2375 |
| | | 0.2635 | 0.2299 |
| | Wb4 | 0.2635 | 0.2299 |
| | | 0.2677 | 0.2375 |
| | | 0.2720 | 0.2340 |
| | | 0.2680 | 0.2270 |

| Bin Code | Sub-bin | x | y |
|----------|---------|--------|--------|
| W1 | Wc1 | 0.2545 | 0.2480 |
| | | 0.2593 | 0.2575 |
| | | 0.2635 | 0.2534 |
| | | 0.2589 | 0.2445 |
| | Wc2 | 0.2589 | 0.2445 |
| | | 0.2635 | 0.2534 |
| | | 0.2677 | 0.2493 |
| | | 0.2633 | 0.2410 |
| | Wc3 | 0.2593 | 0.2575 |
| | | 0.2640 | 0.2670 |
| | | 0.2680 | 0.2623 |
| | | 0.2635 | 0.2534 |
| | Wc4 | 0.2635 | 0.2534 |
| | | 0.2680 | 0.2623 |
| | | 0.2720 | 0.2575 |
| | | 0.2677 | 0.2493 |
| | Wd1 | 0.2633 | 0.2410 |
| | | 0.2677 | 0.2493 |
| | | 0.2718 | 0.2451 |
| | | 0.2677 | 0.2375 |
| | Wd2 | 0.2677 | 0.2375 |
| | | 0.2718 | 0.2451 |
| | | 0.2760 | 0.2410 |
| | | 0.2720 | 0.2340 |
| | Wd3 | 0.2677 | 0.2493 |
| | | 0.2720 | 0.2575 |
| | | 0.2760 | 0.2528 |
| | | 0.2718 | 0.2451 |
| | Wd4 | 0.2718 | 0.2451 |
| | | 0.2760 | 0.2528 |
| | | 0.2800 | 0.2480 |
| | | 0.2760 | 0.2410 |

| Bin Code | Sub-bin | x | y |
|----------|---------|--------|--------|
| W2 | We1 | 0.2640 | 0.2670 |
| | | 0.2688 | 0.2765 |
| | | 0.2726 | 0.2711 |
| | | 0.2680 | 0.2623 |
| | We2 | 0.2680 | 0.2623 |
| | | 0.2726 | 0.2711 |
| | | 0.2764 | 0.2658 |
| | | 0.2720 | 0.2575 |
| | We3 | 0.2688 | 0.2765 |
| | | 0.2735 | 0.2860 |
| | | 0.2772 | 0.2800 |
| | | 0.2726 | 0.2711 |
| | We4 | 0.2726 | 0.2711 |
| | | 0.2772 | 0.2800 |
| | | 0.2808 | 0.2740 |
| | | 0.2764 | 0.2658 |
| | Wf1 | 0.2720 | 0.2575 |
| | | 0.2764 | 0.2658 |
| | | 0.2802 | 0.2604 |
| | | 0.2760 | 0.2528 |
| | Wf2 | 0.2760 | 0.2528 |
| | | 0.2802 | 0.2604 |
| | | 0.2840 | 0.2550 |
| | | 0.2800 | 0.2480 |
| | Wf3 | 0.2764 | 0.2658 |
| | | 0.2808 | 0.2740 |
| | | 0.2844 | 0.2680 |
| | | 0.2802 | 0.2604 |
| | Wf4 | 0.2802 | 0.2604 |
| | | 0.2844 | 0.2680 |
| | | 0.2880 | 0.2620 |
| | | 0.2840 | 0.2550 |

• Tolerance of measurement of the color coordinates is ± 0.01 .

COLOR BIN LIMIT ($I_f = 30 \text{ mA}$)

| Bin Code | Sub-bin | x | y |
|----------|---------|--------|--------|
| W2 | Wg1 | 0.2735 | 0.2860 |
| | | 0.2783 | 0.2955 |
| | | 0.2817 | 0.2889 |
| | | 0.2772 | 0.2800 |
| | Wg2 | 0.2772 | 0.2800 |
| | | 0.2817 | 0.2889 |
| | | 0.2852 | 0.2823 |
| | | 0.2808 | 0.2740 |
| | Wg3 | 0.2783 | 0.2955 |
| | | 0.2830 | 0.3050 |
| | | 0.2863 | 0.2978 |
| | | 0.2817 | 0.2889 |
| | Wg4 | 0.2817 | 0.2889 |
| | | 0.2863 | 0.2978 |
| | | 0.2895 | 0.2905 |
| | | 0.2852 | 0.2823 |
| | Wh1 | 0.2808 | 0.2740 |
| | | 0.2852 | 0.2823 |
| | | 0.2886 | 0.2756 |
| | | 0.2844 | 0.2680 |
| | Wh2 | 0.2844 | 0.2680 |
| | | 0.2886 | 0.2756 |
| | | 0.2920 | 0.2690 |
| | | 0.2880 | 0.2620 |
| | Wh3 | 0.2852 | 0.2823 |
| | | 0.2895 | 0.2905 |
| | | 0.2928 | 0.2833 |
| | | 0.2886 | 0.2756 |
| Wh4 | 0.2886 | 0.2756 | |
| | 0.2928 | 0.2833 | |
| | 0.2960 | 0.2760 | |
| | 0.2920 | 0.2690 | |

| Bin Code | Sub-bin | x | y |
|----------|---------|--------|--------|
| W3 | Wj1 | 0.2830 | 0.3050 |
| | | 0.2890 | 0.3130 |
| | | 0.2918 | 0.3048 |
| | | 0.2863 | 0.2978 |
| | Wj2 | 0.2863 | 0.2978 |
| | | 0.2918 | 0.3048 |
| | | 0.2947 | 0.2967 |
| | | 0.2895 | 0.2905 |
| | Wj3 | 0.2890 | 0.3130 |
| | | 0.2950 | 0.3210 |
| | | 0.2974 | 0.3119 |
| | | 0.2918 | 0.3048 |
| | Wj4 | 0.2918 | 0.3048 |
| | | 0.2974 | 0.3119 |
| | | 0.2998 | 0.3028 |
| | | 0.2947 | 0.2967 |
| | Wk1 | 0.2895 | 0.2905 |
| | | 0.2947 | 0.2967 |
| | | 0.2975 | 0.2890 |
| | | 0.2928 | 0.2833 |
| | Wk2 | 0.2928 | 0.2833 |
| | | 0.2975 | 0.2890 |
| | | 0.3003 | 0.2813 |
| | | 0.2960 | 0.2760 |
| | Wk3 | 0.2947 | 0.2967 |
| | | 0.2998 | 0.3028 |
| | | 0.3022 | 0.2946 |
| | | 0.2975 | 0.2890 |
| Wk4 | 0.2975 | 0.2890 | |
| | 0.3022 | 0.2946 | |
| | 0.3045 | 0.2865 | |
| | 0.3003 | 0.2813 | |

| Bin Code | Sub-bin | x | y |
|----------|---------|--------|--------|
| W3 | Wm1 | 0.2950 | 0.3210 |
| | | 0.3010 | 0.3290 |
| | | 0.3030 | 0.3190 |
| | | 0.2974 | 0.3119 |
| | Wm2 | 0.2974 | 0.3119 |
| | | 0.3030 | 0.3190 |
| | | 0.3050 | 0.3090 |
| | | 0.2998 | 0.3028 |
| | Wm3 | 0.3010 | 0.3290 |
| | | 0.3070 | 0.3370 |
| | | 0.3085 | 0.3260 |
| | | 0.3030 | 0.3190 |
| | Wm4 | 0.3030 | 0.3190 |
| | | 0.3085 | 0.3260 |
| | | 0.3100 | 0.3150 |
| | | 0.3050 | 0.3090 |
| | Wn1 | 0.2998 | 0.3028 |
| | | 0.3050 | 0.3090 |
| | | 0.3070 | 0.3005 |
| | | 0.3022 | 0.2946 |
| | Wn2 | 0.3022 | 0.2946 |
| | | 0.3070 | 0.3005 |
| | | 0.3090 | 0.2920 |
| | | 0.3045 | 0.2865 |
| | Wn3 | 0.3050 | 0.3090 |
| | | 0.3100 | 0.3150 |
| | | 0.3115 | 0.3060 |
| | | 0.3070 | 0.3005 |
| Wn4 | 0.3070 | 0.3005 | |
| | 0.3115 | 0.3060 | |
| | 0.3130 | 0.2970 | |
| | 0.3090 | 0.2920 | |

• Tolerance of measurement of the color coordinates is ± 0.01 .

COLOR BIN LIMIT ($I_f = 30 \text{ mA}$)

| Bin Code | Sub-bin | x | y |
|----------|---------|--------|--------|
| W4 | Wp1 | 0.3070 | 0.3370 |
| | | 0.3130 | 0.3430 |
| | | 0.3140 | 0.3320 |
| | | 0.3085 | 0.3260 |
| | Wp2 | 0.3085 | 0.3260 |
| | | 0.3140 | 0.3320 |
| | | 0.3150 | 0.3210 |
| | | 0.3100 | 0.3150 |
| | Wp3 | 0.3130 | 0.3430 |
| | | 0.3190 | 0.3490 |
| | | 0.3195 | 0.3380 |
| | | 0.3140 | 0.3320 |
| | Wp4 | 0.3140 | 0.3320 |
| | | 0.3195 | 0.3380 |
| | | 0.3200 | 0.3270 |
| | | 0.3150 | 0.3210 |
| | Wq1 | 0.3100 | 0.3150 |
| | | 0.3150 | 0.3210 |
| | | 0.3163 | 0.3118 |
| | | 0.3115 | 0.3060 |
| | Wq2 | 0.3115 | 0.3060 |
| | | 0.3163 | 0.3118 |
| | | 0.3175 | 0.3025 |
| | | 0.3130 | 0.2970 |
| | Wq3 | 0.3150 | 0.3210 |
| | | 0.3200 | 0.3270 |
| | | 0.3208 | 0.3173 |
| | | 0.3163 | 0.3118 |
| | Wq4 | 0.3163 | 0.3118 |
| | | 0.3208 | 0.3173 |
| | | 0.3215 | 0.3075 |
| | | 0.3175 | 0.3025 |

| Bin Code | Sub-bin | x | y |
|----------|---------|--------|--------|
| W4 | Wr1 | 0.3190 | 0.3490 |
| | | 0.3245 | 0.3545 |
| | | 0.3248 | 0.3438 |
| | | 0.3195 | 0.3380 |
| | Wr2 | 0.3195 | 0.3380 |
| | | 0.3248 | 0.3438 |
| | | 0.3250 | 0.3330 |
| | | 0.3200 | 0.3270 |
| | Wr3 | 0.3245 | 0.3545 |
| | | 0.3300 | 0.3600 |
| | | 0.3300 | 0.3495 |
| | | 0.3248 | 0.3438 |
| | Wr4 | 0.3248 | 0.3438 |
| | | 0.3300 | 0.3495 |
| | | 0.3300 | 0.3390 |
| | | 0.3250 | 0.3330 |
| | Ws1 | 0.3200 | 0.3270 |
| | | 0.3250 | 0.3330 |
| | | 0.3255 | 0.3230 |
| | | 0.3208 | 0.3173 |
| | Ws2 | 0.3208 | 0.3173 |
| | | 0.3255 | 0.3230 |
| | | 0.3260 | 0.3130 |
| | | 0.3215 | 0.3075 |
| | Ws3 | 0.3250 | 0.3330 |
| | | 0.3300 | 0.3390 |
| | | 0.3300 | 0.3285 |
| | | 0.3255 | 0.3230 |
| | Ws4 | 0.3255 | 0.3230 |
| | | 0.3300 | 0.3285 |
| | | 0.3300 | 0.3180 |
| | | 0.3260 | 0.3130 |

| Bin Code | Sub-bin | x | y |
|----------|---------|--------|--------|
| W5 | Wt1 | 0.3300 | 0.3600 |
| | | 0.3378 | 0.3663 |
| | | 0.3375 | 0.3563 |
| | | 0.3300 | 0.3495 |
| | Wt2 | 0.3300 | 0.3495 |
| | | 0.3375 | 0.3563 |
| | | 0.3372 | 0.3463 |
| | | 0.3300 | 0.3390 |
| | Wt3 | 0.3378 | 0.3663 |
| | | 0.3455 | 0.3725 |
| | | 0.3449 | 0.3630 |
| | | 0.3375 | 0.3563 |
| | Wt4 | 0.3375 | 0.3563 |
| | | 0.3449 | 0.3630 |
| | | 0.3443 | 0.3535 |
| | | 0.3372 | 0.3463 |
| | Wu1 | 0.3300 | 0.3390 |
| | | 0.3372 | 0.3463 |
| | | 0.3368 | 0.3363 |
| | | 0.3300 | 0.3285 |
| | Wu2 | 0.3300 | 0.3285 |
| | | 0.3368 | 0.3363 |
| | | 0.3365 | 0.3263 |
| | | 0.3300 | 0.3180 |
| | Wu3 | 0.3372 | 0.3463 |
| | | 0.3443 | 0.3535 |
| | | 0.3437 | 0.3440 |
| | | 0.3368 | 0.3363 |
| | Wu4 | 0.3368 | 0.3363 |
| | | 0.3437 | 0.3440 |
| | | 0.3430 | 0.3345 |
| | | 0.3365 | 0.3263 |

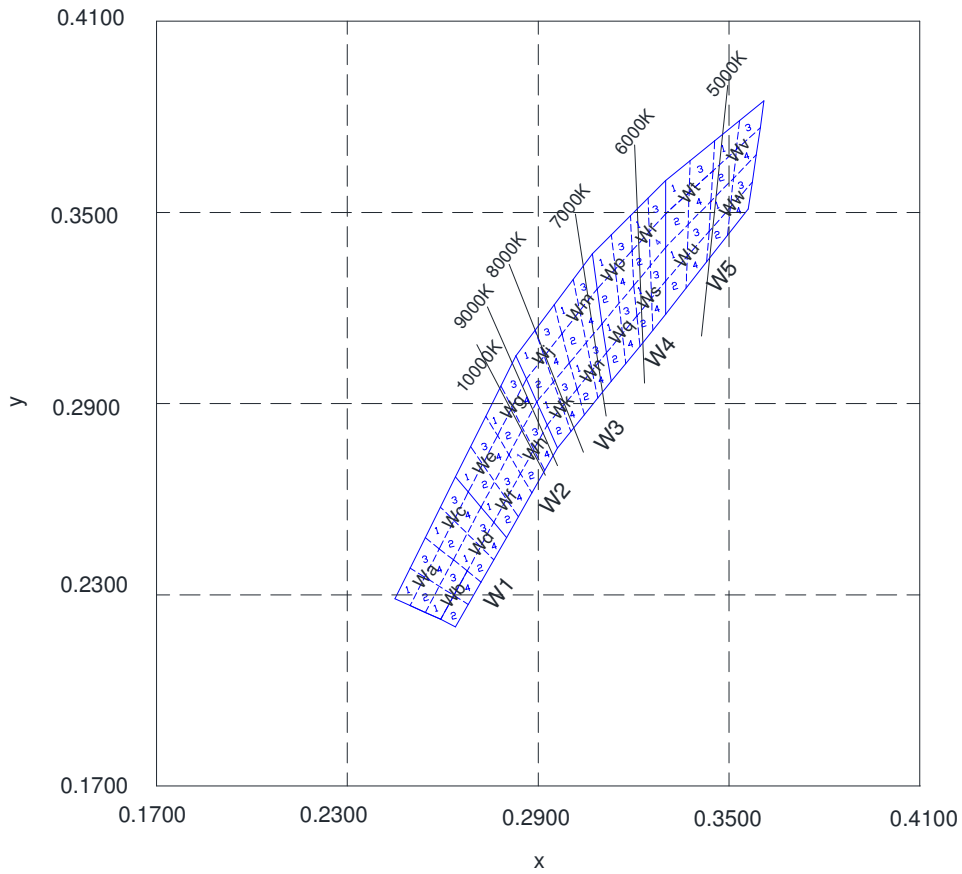
- Tolerance of measurement of the color coordinates is ± 0.01 .

COLOR BIN LIMIT ($I_f = 30 \text{ mA}$)

| Bin Code | Sub-bin | x | y |
|----------|---------|--------|--------|
| W5 | Wv1 | 0.3455 | 0.3725 |
| | | 0.3533 | 0.3788 |
| | | 0.3523 | 0.3698 |
| | | 0.3449 | 0.3630 |
| | Wv2 | 0.3449 | 0.3630 |
| | | 0.3523 | 0.3698 |
| | | 0.3514 | 0.3608 |
| | | 0.3443 | 0.3535 |
| | Wv3 | 0.3533 | 0.3788 |
| | | 0.3610 | 0.3850 |
| | | 0.3598 | 0.3765 |
| | | 0.3523 | 0.3698 |
| | Wv4 | 0.3523 | 0.3698 |
| | | 0.3598 | 0.3765 |
| | | 0.3585 | 0.3680 |
| | | 0.3514 | 0.3608 |
| | Ww1 | 0.3443 | 0.3535 |
| | | 0.3514 | 0.3608 |
| | | 0.3505 | 0.3518 |
| | | 0.3437 | 0.3440 |
| | Ww2 | 0.3437 | 0.3440 |
| | | 0.3505 | 0.3518 |
| | | 0.3495 | 0.3428 |
| | | 0.3430 | 0.3345 |
| | Ww3 | 0.3514 | 0.3608 |
| | | 0.3585 | 0.3680 |
| | | 0.3573 | 0.3595 |
| | | 0.3505 | 0.3518 |
| Ww4 | 0.3505 | 0.3518 | |
| | 0.3573 | 0.3595 | |
| | 0.3560 | 0.3510 | |
| | 0.3495 | 0.3428 | |

- Tolerance of measurement of the color coordinates is ± 0.01 .

CIE CHROMATICITY DIAGRAM



ORDER CODE TABLE*

Cool White (60 degree)

| Color | Kit Number | Viewing Angle | Luminous Flux (lm) | | Color Bin Code |
|------------|--------------------|---------------|--------------------|-------|----------------|
| | | | Min. | Max. | |
| Cool White | CP41B-WES-CK0P0154 | 60 | 3850 | 11000 | W1,W2,W3,W4,W5 |
| Cool White | CP41B-WES-CL0P0134 | 60 | 4400 | 11000 | W1,W2,W3 |
| Cool White | CP41B-WES-CM0P0134 | 60 | 5500 | 11000 | W1,W2,W3 |
| Cool White | CP41B-WES-CM0P0234 | 60 | 5500 | 11000 | W2,W3 |
| Cool White | CP41B-WES-CM0P0244 | 60 | 5500 | 11000 | W2,W3,W4 |
| Cool White | CP41B-WES-CN0P0134 | 60 | 6600 | 11000 | W1,W2,W3 |

Cool White (90 degree)

| Color | Kit Number | Viewing Angle | Luminous Flux (lm) | | Color Bin Code |
|------------|--------------------|---------------|--------------------|-------|----------------|
| | | | Min. | Max. | |
| Cool White | CP41B-WGS-CK0P0154 | 90 | 3850 | 11000 | W1,W2,W3,W4,W5 |
| Cool White | CP41B-WGS-CL0P0134 | 90 | 4400 | 11000 | W1,W2,W3 |
| Cool White | CP41B-WGS-CM0P0134 | 90 | 5500 | 11000 | W1,W2,W3 |
| Cool White | CP41B-WGS-CM0P0234 | 90 | 5500 | 11000 | W2,W3 |
| Cool White | CP41B-WGS-CM0P0244 | 90 | 5500 | 11000 | W2,W3,W4 |
| Cool White | CP41B-WGS-CN0P0134 | 90 | 6600 | 11000 | W1,W2,W3 |

Notes:

- The above kit numbers represent order codes that include multiple flux-bin and color-bin codes. Only one flux-bin code and one color-bin code will be shipped on each tube. And single flux-bin code and single color-bin codes will not be orderable.
- Please refer to the "Cree LED Lamp Reliability Test Standards" document for reliability test conditions.
 - Please refer to the "Cree LED Lamp Soldering & Handling" document for information about how to use this LED product safely.

GRAPHS

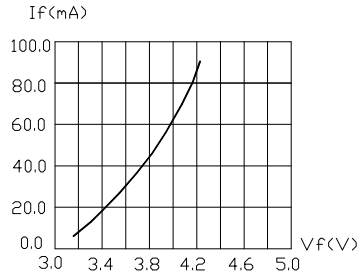


FIG.1 FORWARD CURRENT VS. FORWARD VOLTAGE

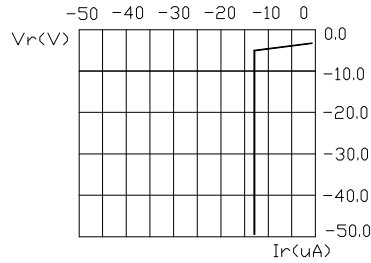


FIG.2 REVERSE CURRENT VS. REVERSE VOLTAGE

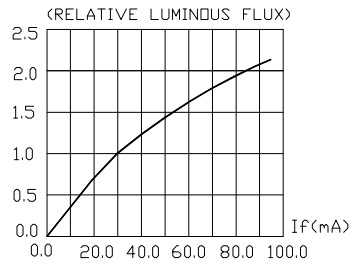


FIG.3 RELATIVE LUMINOUS FLUX VS. FORWARD CURRENT

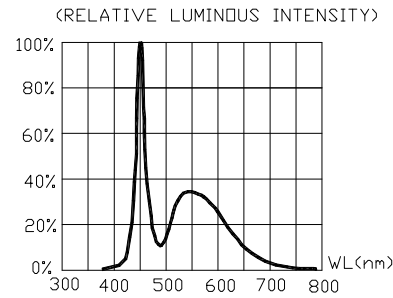


FIG.4 RELATIVE LUMINOUS INTENSITY VS. WAVELENGTH.

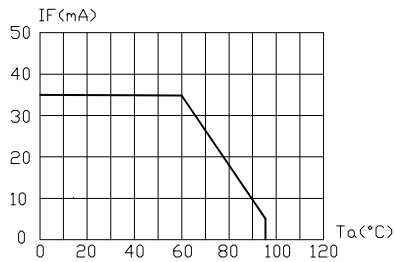


FIG.5 MAXIMUM FORWARD CURRENT VS. AMBIENT TEMPERATURE (Tjmax=120°C)

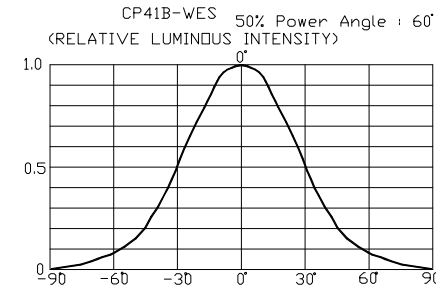


FIG.6 FAR FIELD PATTERN

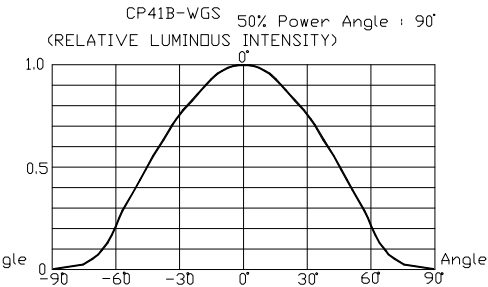


FIG.7 FAR FIELD PATTERN

The above data are collected from statistical figures that do not necessarily correspond to the actual parameters of each single LED. Hence, these data will be changed without further notice.

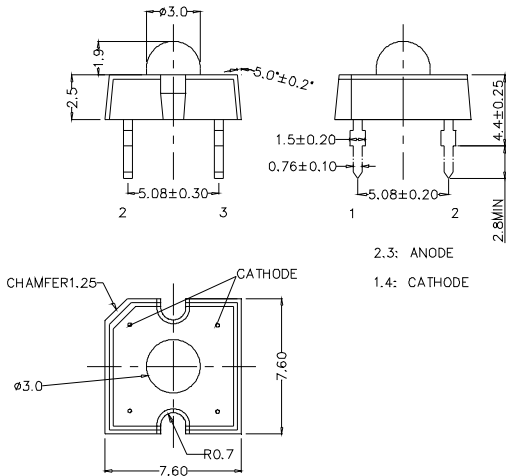
MECHANICAL DIMENSIONS

All dimensions are in mm. Tolerance is ± 0.25 mm unless otherwise noted.

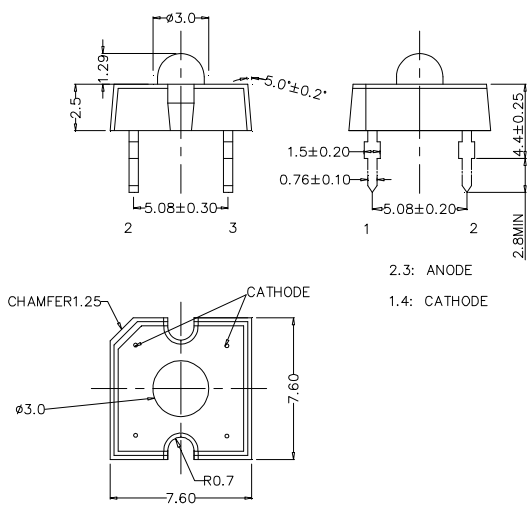
An epoxy meniscus may extend about 1.5 mm down the leads.

Burr around bottom of epoxy may be 0.5 mm max.

CP41B-WES:



CP41B-WGS:



NOTES

RoHS Compliance

The levels of environmentally sensitive, persistent biologically toxic (PBT), persistent organic pollutants (POP), or otherwise restricted materials in this product are below the maximum concentration values (also referred to as the threshold limits) permitted for such substances, or are used in an exempted application, in accordance with EU Directive 2002/95/EC on the restriction of the use of certain hazardous substances in electrical and electronic equipment (RoHS), as amended through April 21, 2006.

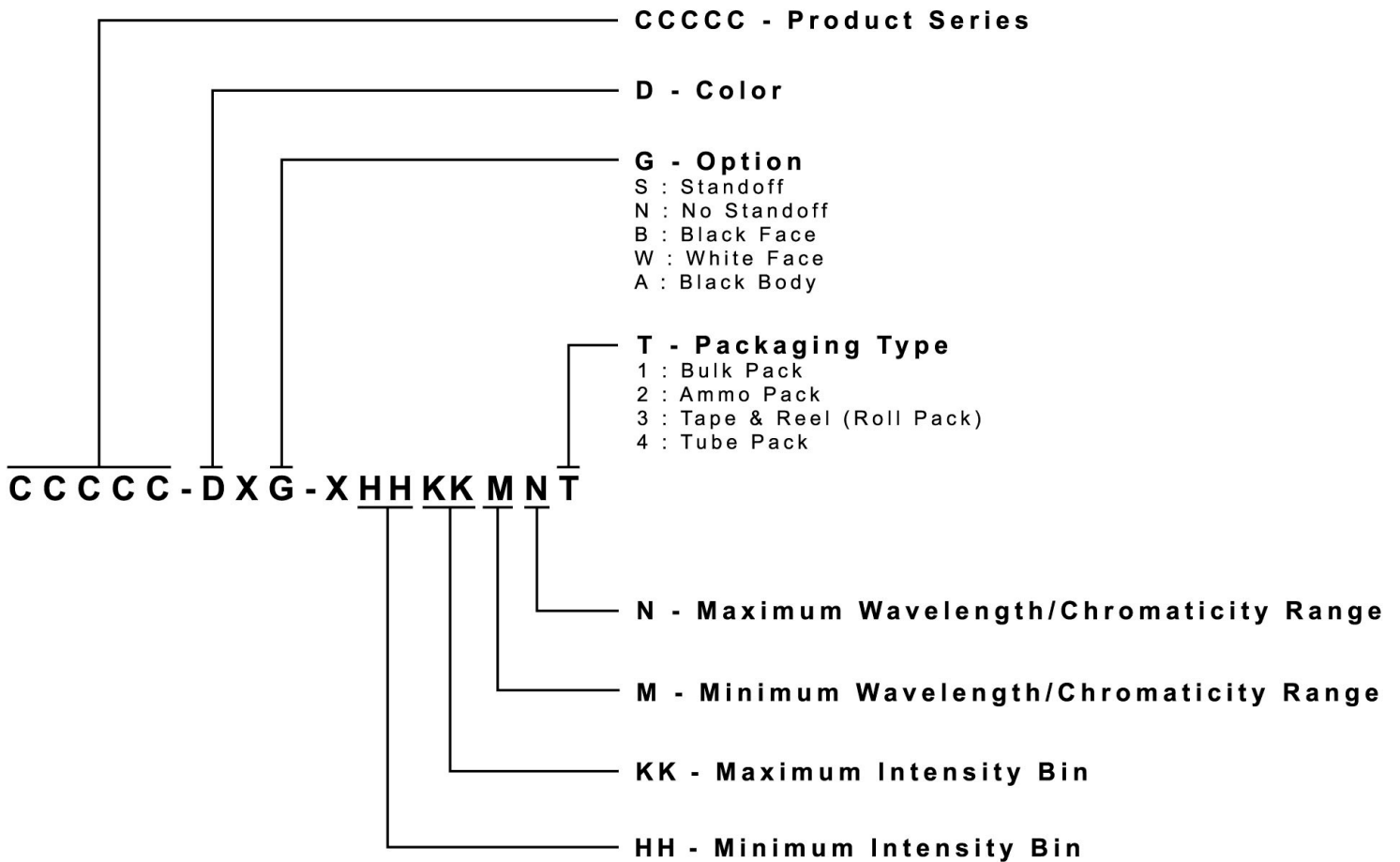
Vision Advisory Claim

Users should be cautioned not to stare at the light of this LED product. The bright light can damage the eye.

KIT NUMBER SYSTEM

All dimensions in mm. Cree LED lamps are tested and sorted into performance bins. A bin is specified by ranges of color, forward voltage, and brightness. Sorted LEDs are packaged for shipping in various convenient options. Please refer to the "Cree LED Lamp Packaging Standard" document for more information about shipping and packaging options.

Cree LEDs are sold by order codes in combinations of bins called kits. Order codes are configured in the following manner:



PACKAGING

Features:

- The LEDs are packed in cardboard boxes after packaging in normal or anti-electrostatic bags.
- Cardboard boxes will be used to protect the LEDs from mechanical shock during transportation.
- The boxes are not water-resistant, and they must be kept away from water and moisture.
- The Tube Pack type of packaging.
- Max 60 pcs per tube.

