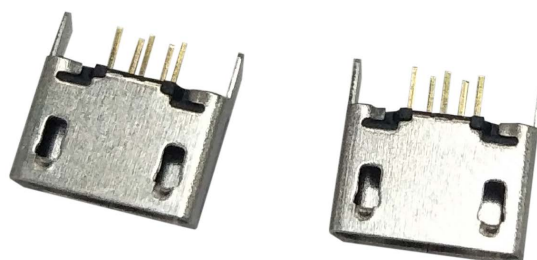


Micro USB 2.0- Micro B & 60



Features

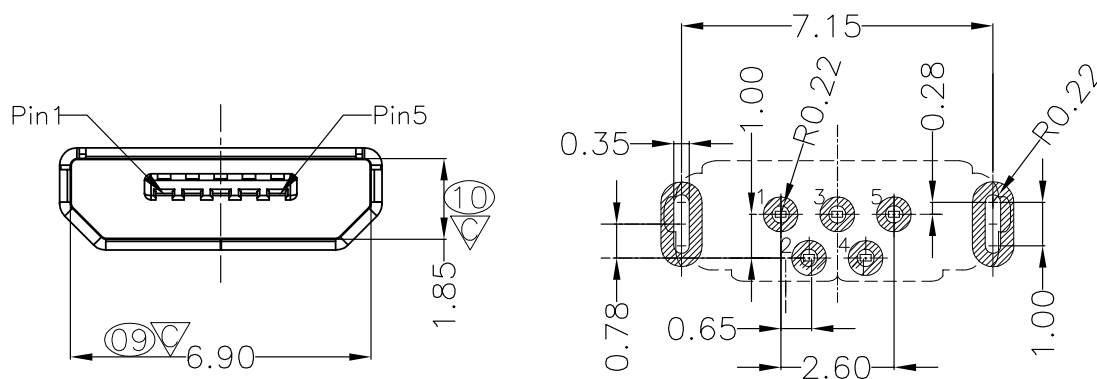
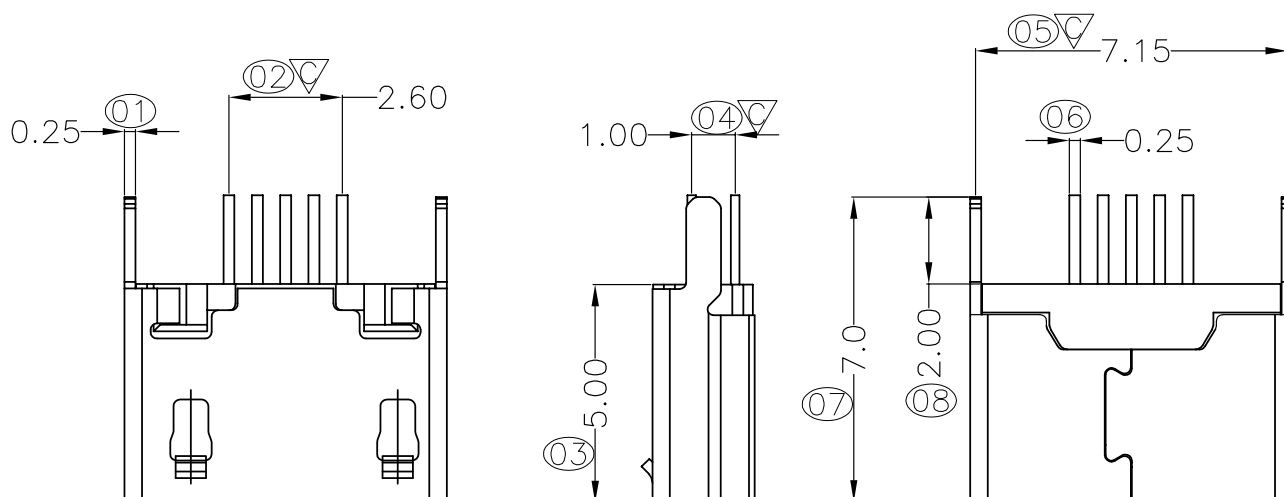
- Female
- Straight mounting type
- RoHS compliant
- 8 flash
- Black insulator colour
- 0



Specification

Insulator Material	High Temperature Thermoplastic, UL94V-0
Contact Material	Copper Alloy
Shell Material	SUS
Current Rating	1 A max.
Contact Resistance (Low Level)	50 mOhm max.
Insulation Resistance	100 MOhm min.
Dielectric Withstanding Voltage	100 VAC for 1 min.
Operating Temperature Min.	-25 °C
Operating Temperature Max.	80 °C

Drawing



Recommended P.C.B. Layout

Art Nr:

RND 205-01058