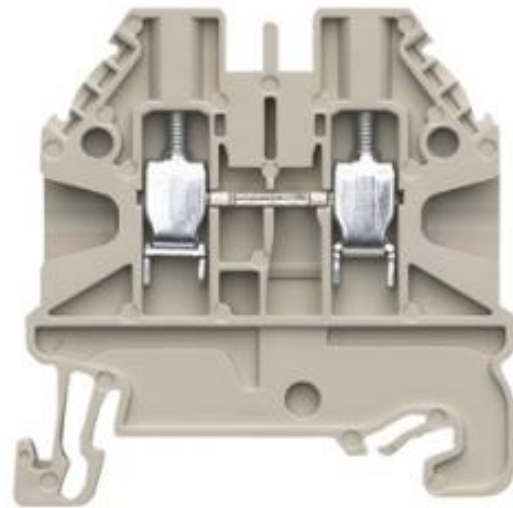


## Datasheet

Art.No. 58.503.0055.7

Feed-through terminal WT 2,5 GN

Feed-through DIN rail terminal block with screw connection for mounting on TS 35; nominal cross section 2,5 mm<sup>2</sup>; width 5 mm; color green



Art.No.	58.503.0055.7
EAN	4049088172755
Order unit	100 pieces

## Approvals



## Technical data

### General

Nominal cross section	2.5 mm <sup>2</sup>
Colour	Green
Number of levels	1
Number of clamp positions per level	2
Width/grid dimension	5 mm
Insulating housing	PA666
Inflammability class of insulation material acc. with UL94	V0
Mounting method	DIN rail (top hat rail)
Terminal blocks for electrical installations	Yes

### Technical data

Rated current	24 A
Rated voltage	1000 V
Rated impulse voltage	8 kV
Pollution degree	3
Closing plate required	Yes
Type of insulation material	Thermoplastic
Length	48 mm
Width	5 mm
Height	48 mm

### Connection Data

Connection type 1	Screw connection
-------------------	------------------

Connection type 2	Screw connection
Minimum cross section solid	0.14 mm <sup>2</sup>
Maximum cross section solid	4 mm <sup>2</sup>
Minimum cross section fine stranded	0.14 mm <sup>2</sup>
Maximum cross section fine stranded	4 mm <sup>2</sup>
Maximum conductor cross section (flex., stranded) with cable end sleeve	0.5 mm <sup>2</sup>
Maximum conductor cross section (flex., stranded) with cable end sleeve	2.5 mm <sup>2</sup>
Wire strip length	9 mm
Torque conductor mounting	0.4 Nm

**Technical Data UL/CSA**

Cross section UL	26-12 AWG
Voltage UL	600 V
Current factory wiring	20 A
Current field wiring	20 A
Cross section CSA	26-12 AWG
Voltage CSA	600 V
Current CSA	20 A