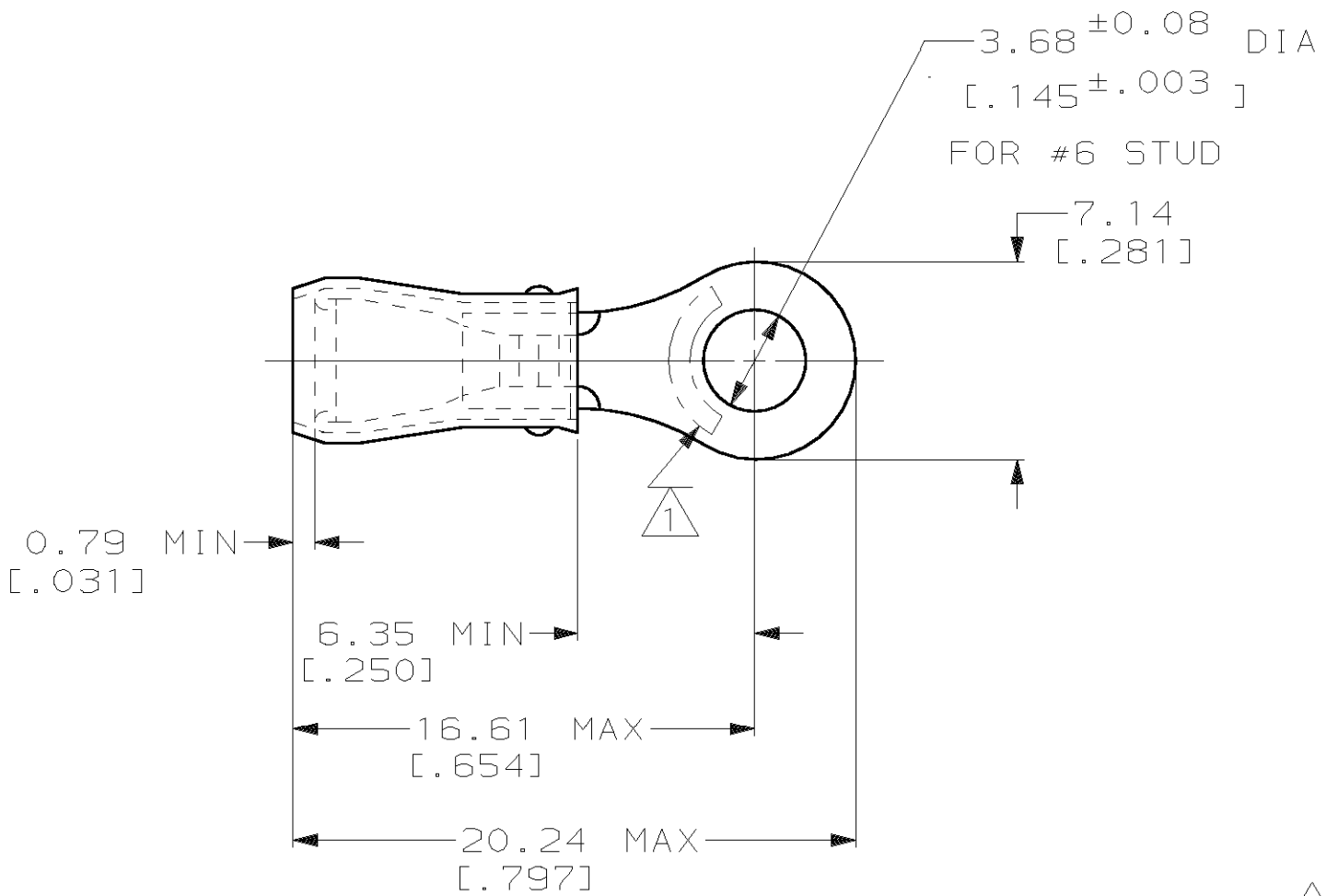


THIS DRAWING IS UNPUBLISHED. RELEASED FOR PUBLICATION, 19  
 © COPYRIGHT 19 BY AMP INCORPORATED. ALL INTERNATIONAL RIGHTS RESERVED.

LOC	DIST	P	F	REVISIONS			DATE	APPD
G	14			ZONE	LTR	DESCRIPTION		
					K	REV PER OG3A-0274-01	26JUL01	SR TM

<b>AMP</b> WIRE RANGE	<b>UL</b> Listed	<b>SR</b> LR7189 Certified
22-16 AWG SOLID OR STRANDED	22-16 AWG SOLID OR STRANDED	22-16 AWG SOLID OR STRANDED



- ① STAMP AMP 22-18\* APPROX AS SHOWN  
22-16 TERMINALS ARE STAMPED 22-18 IN  
ACCORDANCE WITH MILITARY SPEC MIL-T-7928  
COMMERCIAL WIRE RANGE IS 22-16
- 2 WIRE INSULATION DIA: .105 - .140
- 3 TONGUE MATERIAL THK: 0.79 ± 0.05 [.031 ± .002]
- ④ SUPERSEDED BY 8-36152-1

④	-	5	LOOSE PIECE, BLS	8-36152-4
④	-	50	LOOSE PIECE, BAG	8-36152-5
-	-	100	LOOSE PIECE, BOX	8-36152-1
-	-	5000	ON TAPE, REEL	2-36152-1
-	-	-	LOOSE PIECE	36152
	MILITARY P/N AND CLASS	QUANTITY	PACKAGE TYPE	PART NO

**AMP INCORPORATED**  
**CUSTOMER SERVICE SYSTEMS**

FOR ADDITIONAL PRODUCT INFORMATION OR COPIES OF DRAWINGS AND TECHNICAL DOCUMENTS  
 PRODUCT INFORMATION CENTER  
 1-800-522-6752

FOR APPLICATION TOOLING INFORMATION  
 TOOLING ASSISTANCE CENTER  
 1-800-722-1111

FOR ORDER ENTRY  
 1-800-526-5142

MAX RECOMMENDED OPERATING TEMPERATURE:  
 105°C MAX

VOLTAGE RATING:  
 300 V MAX

WIRE CROSS SECTIONAL AREA RANGE:  
 0.26-1.65mm<sup>2</sup> [509-3,260] CIR MILS  
 SOLID OR STRANDED

THIS DRAWING IS A CONTROLLED DOCUMENT FOR AMP INCORPORATED. IT IS SUBJECT TO CHANGE AND THE CONTROLLING ENGINEERING ORGANIZATION SHOULD BE CONTACTED FOR THE LATEST REVISION.

DO NOT SCALE PRINT. UNLESS SPECIFIED DIMENSIONS IN mm [INCHES] TOLERANCES ON:  
 2 PLC DEC ± 0.20 [.008]  
 3 PLC DEC ± -  
 ANGLES ± -

MATERIAL  
 COPPER ASTM B-152  
 SLEEVE, RED NYLON

FINISH  
 TIN PLATE  
 PER ASTM B545

DR 02/11/93  
 DK SCHRUM  
 CHK 4/28/93  
 RE HERSEY  
 APPD 4/28/93  
 ML ELLIS  
 APPD 4/28/93  
 M BARNABA  
 PRODUCT SPEC  
 UL 486A  
 APPLICATION SPEC  
 NOT AVAILABLE  
 WEIGHT -

**AMP** AMP Incorporated  
 Harrisburg, PA 17105-3608

NAME  
 TERMINAL, RING TONGUE,  
 PIDG™, WIRE SIZE: 22-16 AWG

SIZE **B** CAGE CODE 00779 DRAWING NO **C-36152**  
 SCALE 4:1 SHEET 1 OF 1