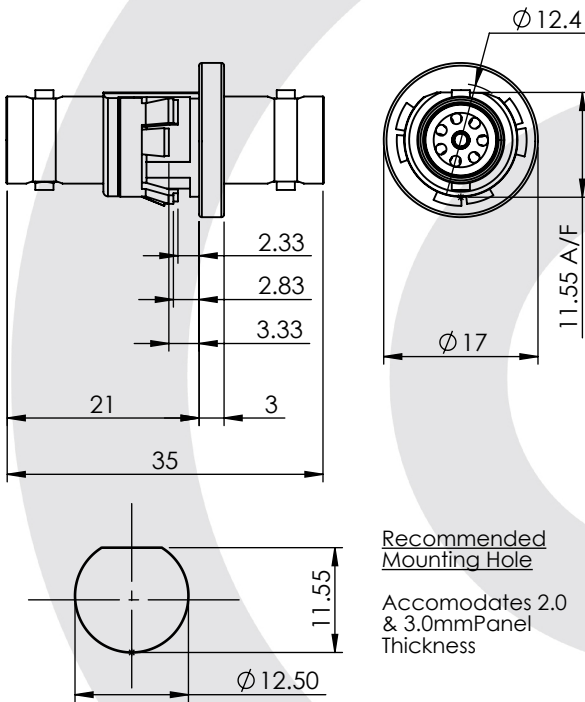


BNC BULKHEAD PUSH FIT JACK TO JACK ADAPTOR 6.0GHz 10-550-D66



images for illustration purposes only



Suitable for Cables:

N/A

Tooling

Centre Contact: Not Applicable Tool No: Not Applicable

Crimp Sleeve: N/A Tool No: N/A

Environmental Specification

Operating Temp: -35 to +70 Deg C

IP Rating (Mated): IP 44

Electrical Specification Mechanical Specification

Impedance: 75 Ohm

Contact Retention: 10 N min

Frequency: 0 - 6.0 GHz

Cable Retention: N/A

Dielectric W/V: 1500 Veff

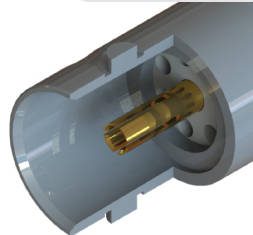
Mating cycles: 250

Insulation res: 5000 M-Ohm

Weight: 9.00 g

Connector Interface

image for illustration purposes only



Performance

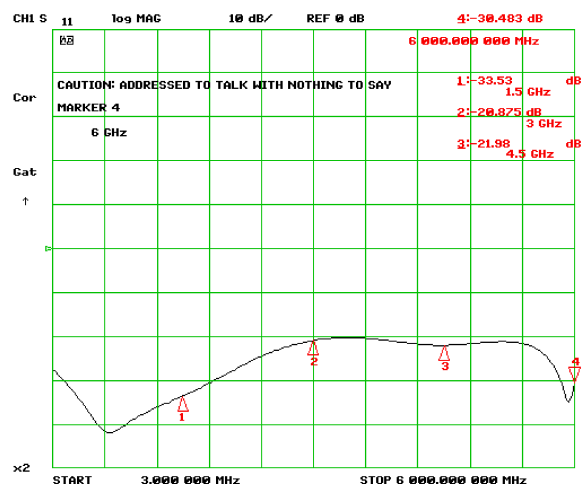
-33.53 dB @ 1.5 GHz

-20.87 dB @ 3.0 GHz

-21.98 dB @ 4.5 GHz

-30.48 dB @ 6.0 GHz

Return Loss Graph



7	RETAINING CLIP	PA46 STANYL	N/A
6	OVERMOULDING	ABS	N/A
3	INSULATOR	PTFE	N/A
2	CENTRE CONTACT	Phos. Bronze	GOLD
1	BODY	BRASS	GOLD
ITEM	DESCRIPTION	MATERIAL	PLATING

A4	SHEET 1 OF 1	DIMENSIONS ARE IN MILLIMETRES		
REVISION :	A00	NAME	SIGNATURE	DATE
ISSUE :	1	DRAWN	IG	17/09/2014
		CHK'D	GE	17/09/2014
		APPV'D		
6-8 COLNE ROAD, TWICKENHAM, MIDDLESEX. TW1 4JR				
THE INFORMATION IS GIVEN AS AN INDICATION ONLY AND IS SUBJECT TO CHANGE WITHOUT NOTICE. IN THE CONTINUAL GOAL TO IMPROVE OUR PRODUCTS, WE RESERVE THE RIGHT TO MAKE ANY MODIFICATIONS NECESSARY WITHOUT PRIOR NOTICE.				