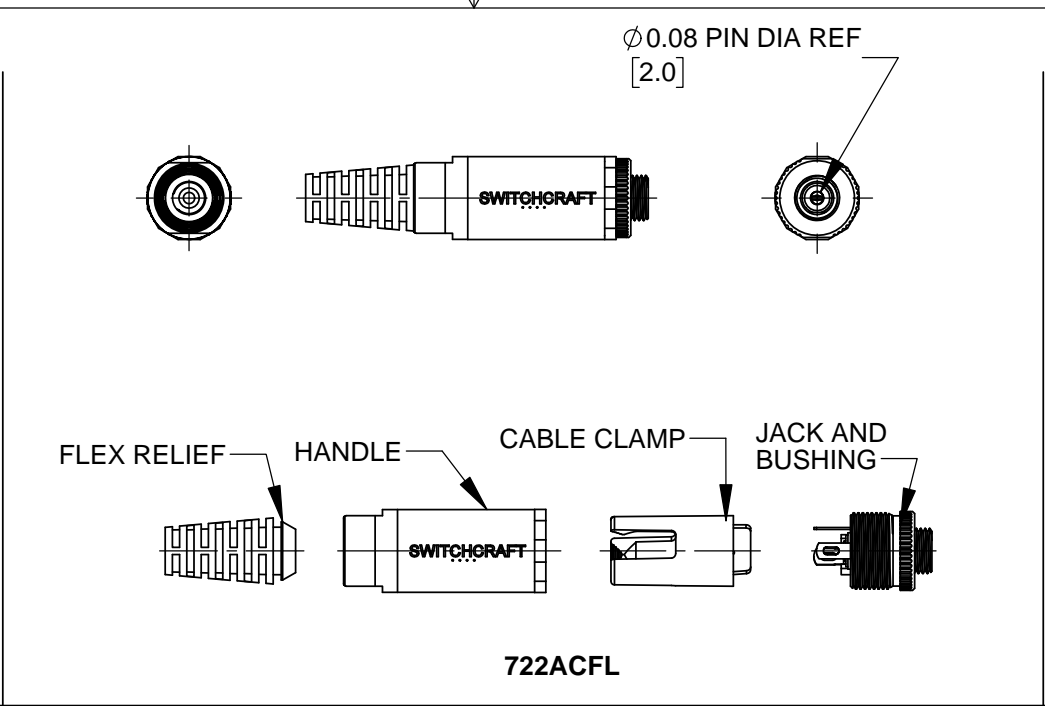
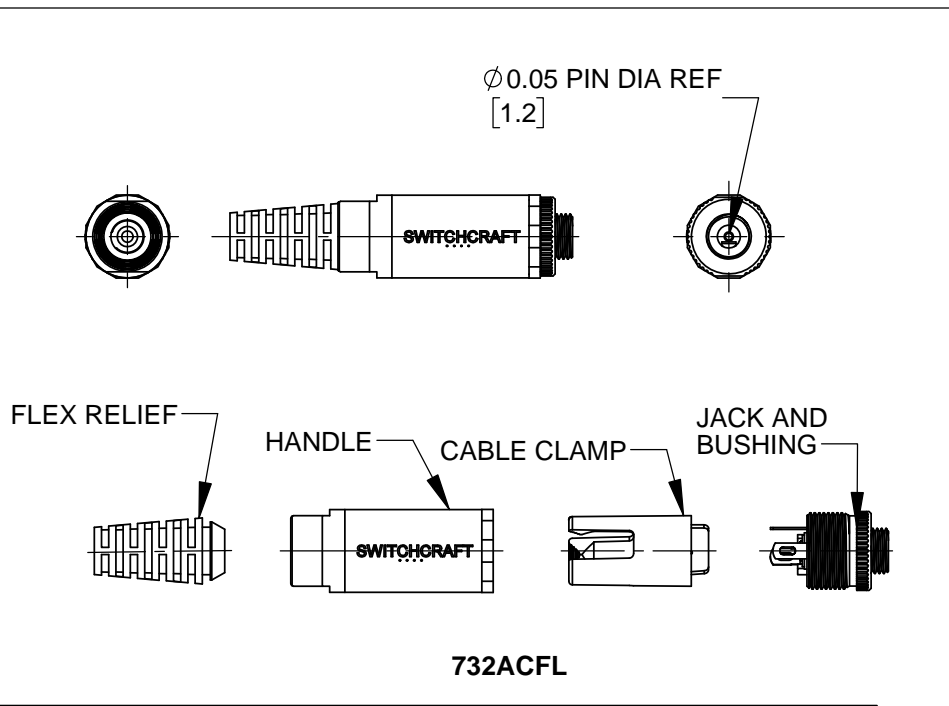


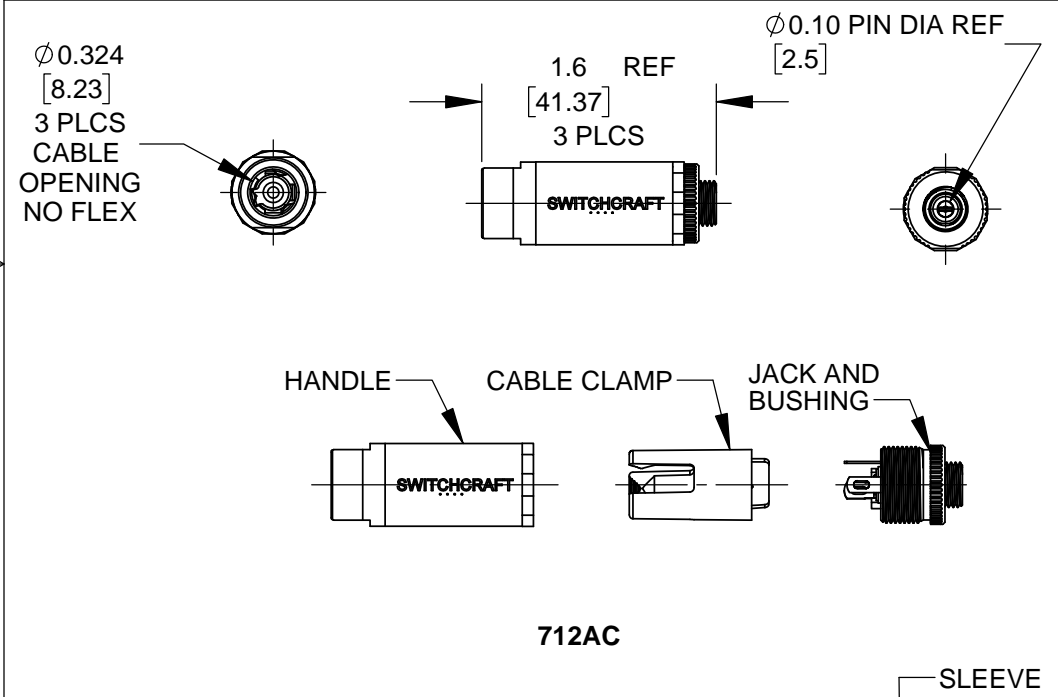
712ACFL



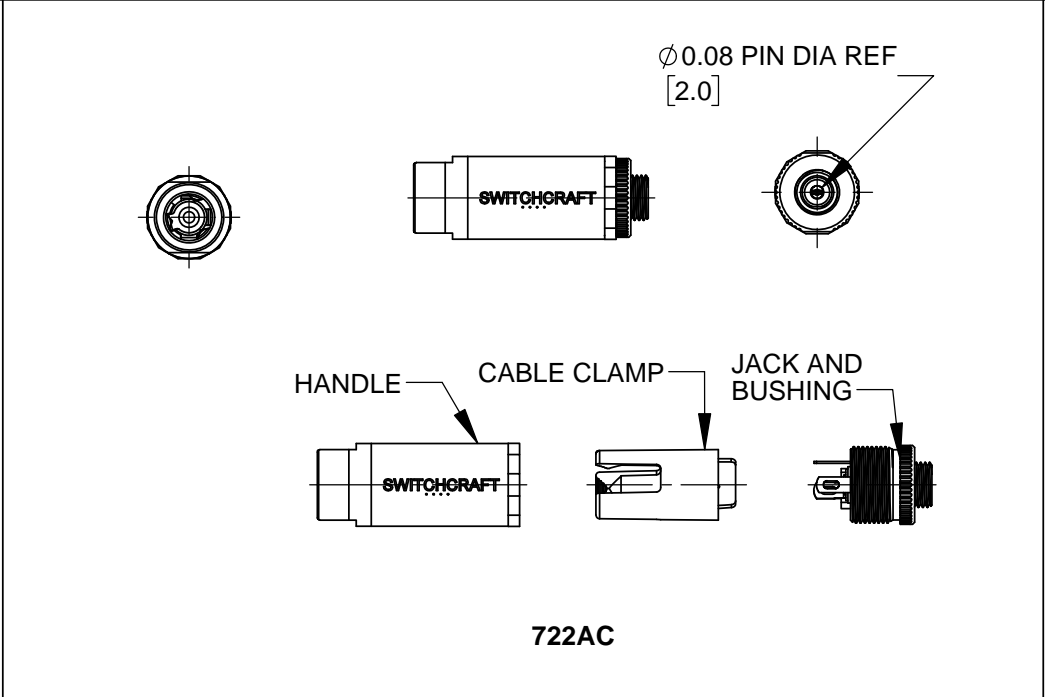
722ACFL



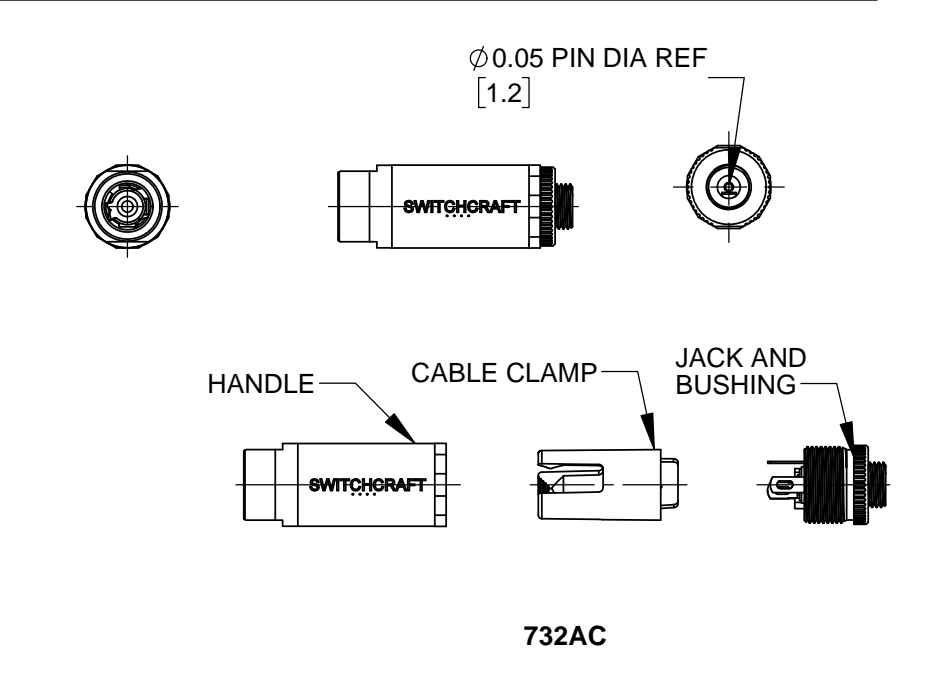
732ACFL



712AC

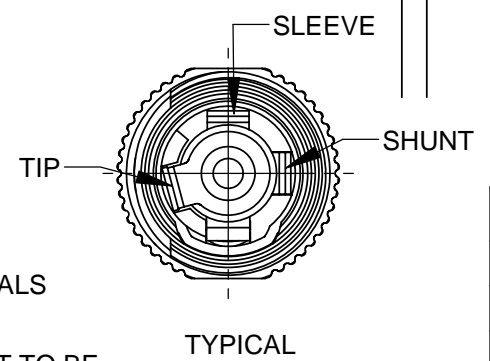


722AC



732AC

1. MATERIALS:
- | | |
|-------------|-------------------------------------------------|
| HANDLE | BLACK THERMOPLASTIC |
| CABLE CLAMP | THERMOPLASTIC |
| FLEX RELIEF | THERMOPLASTIC ELASTOMER |
| BUSHING | BLACK THERMOPLASTIC |
| POWER JACK | SEE POWER JACK FOR MATERIALS AND SPECIFICATIONS |
2. THESE PARTS ARE CURRENT CARRY ONLY NOT TO BE USED FOR CONNECT OR DISCONNECT UNDER LOAD.
3. SHIPPED UNASSEMBLED
4. CABLE RANGE FOR FLEX: 0.220-0.250 DIAMETER
5. THESE PARTS ARE RoHS COMPLIANT



REV	ECO NUMBER	DATE	BY	APVD
A	ECO 27926	8-17-17	SRC	TJK
REVISIONS				

STAR SYMBOL DENOTES CRITICAL DIMENSION

UNLESS OTHERWISE SPECIFIED

1. ALL DIMENSIONS IN INCHES [mm]

- TWO PLACE DECIMALS ±0.02 [0.5]

- THREE PLACE DECIMALS ±0.005 [0.13]

DO NOT SCALE DRAWING

THIS DRAWING DESCRIBES A DESIGN CONSIDERED PROPRIETARY IN NATURE, DEVELOPED AND MANUFACTURED BY SWITCHCRAFT INC. AND IS RELEASED ON A CONFIDENTIAL BASIS FOR IDENTIFICATION PURPOSES ONLY.									
SIZE *	WIDTH *	MULT *	LBS/M *	TEMPER *					
FINISH *					MATERIAL *				
SPEC No. *					SPEC No. *				
FIRST USED ON *			SCALE 3:4						
DATE DRAWN	BY	CHKD	APVD						
12-28-16	SRC	SRC	TJK		SHEET 1 OF 1				
NAME					PART No. 712AC-732AC		REV		
CABLE POWER JACKS					712ACFL-732ACFL		A		

CUSTOMER DRAWING