

# CLW-0606-W2E-ER25 series

6V / 1A Wall mounted type AC/DC adaptor



## ■ Features:

- Universal AC input / Full rang
- ErP step II / CEC level VI compliance
- No load power consumption  $P < 0.075W$
- Protections: Overload / Short circuit / Over Voltage

## ELECTRICAL SPECIFICATION



MODEL	Cellevia CLW-0606-W2E-ER25
-------	----------------------------

### OUTPUT

Rated Voltage	6V
Rated Current	1A
Current Range	0 ÷ 1A
Rated Power	6W
Line Regulation	± 1%
Load Regulation	± 5%
Tolerance [3]	± 5%
Ripple & Noise (max.) [2]	200mV <sub>p-p</sub>
Setup, Rise Time [4]	5000ms, 30ms / 230VAC at full load
Hold up Time (typ.)	4ms / 230VAC at full load

### INPUT

Voltage Range	90 ÷ 264VAC
Frequency Range	47 ÷ 63Hz
Efficiency (typ.)	75.38%
AC Current (typ.)	0.3A / 230VAC
No load Power Consumption (max.)	0.075W

### PROTECTIONS

Overload	Range: 110-140% Auto-recovery.
Short Circuit	Type: hiccup mode, auto-recovery.
Over Voltage	Type: auto-recovery.

# CLW-0606-W2E-ER25 series



6V / 1A Wall mounted type AC/DC adaptor

## WORKING ENVIRONMENT

Working Temperature	0°C ÷ 40°C
Working Humidity	10 ÷ 90% RH non-condensing
Storage Temperature and Humidity	-20°C ÷ 85°C, 5 ÷ 90% RH non-condensing

## SAFETY and EMC REGULATIONS

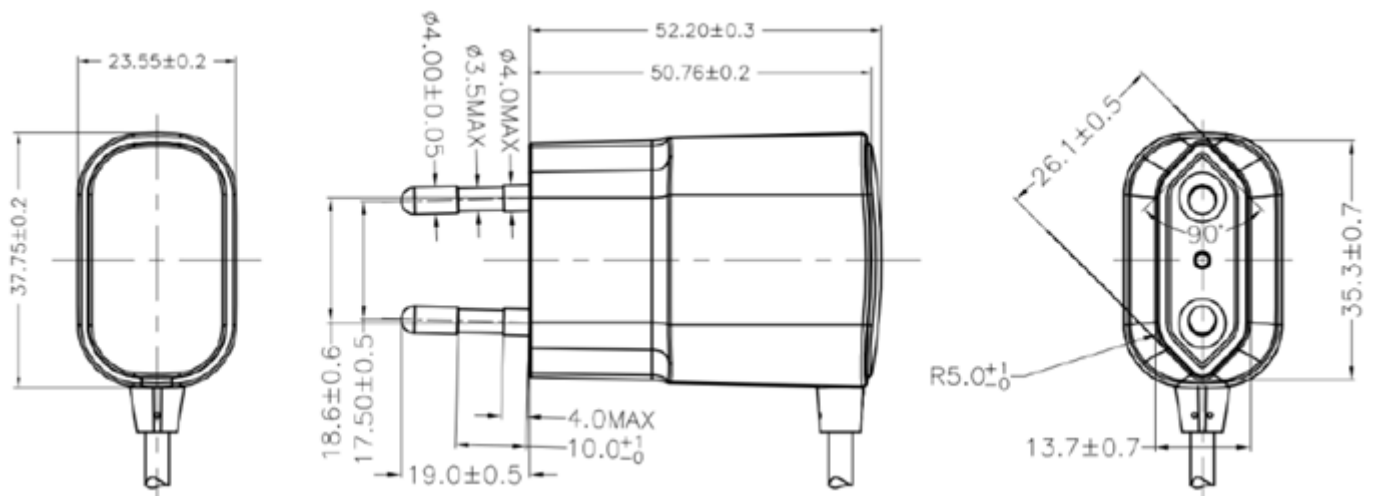
Safety Standards	Compliance to EN 62368
Withstand Voltage	IN/OUT: 3.0kVAC
Isolation Resistance	IN/OUT: 10MΩ/500VDC/25°C/70%
EMC Emission	Compliance to EN55022
EMC Immunity	Compliance to EN61000-4-2, -3, -4, -5
Harmonic Current	Compliance to EN61000-3-3; EN61000-3-2

## OTHERS

DC wire and plug	Wire: 24AWG*2C, length = 1500mm	Plug: 2.5/5.5, positive inside
Dimensions	37.75 x 23.55 x 52.20mm (L x W x H)	
Net Weight	56.5g	

1. All parameters NOT specially mentioned are measured at 230VAC input, rated load and 25°C of ambient temperature.
2. Ripple & noise are measured at 20MHz of bandwidth by using a 12" twisted pair-wire terminated with a 0.1μF i 47μF parallel capacitor.
3. Tolerance includes set up tolerance, line regulation and load regulation.
4. Setup and rise time is measured from 0 to 90% rated output voltage.
5. Power supply is considered as component not indented to apply by end-user. Power supply meets safety and EMC standards however the final equipment with power supply must be re-quality to comply with EMC Directives.

## MECHANICAL SPECIFICATION

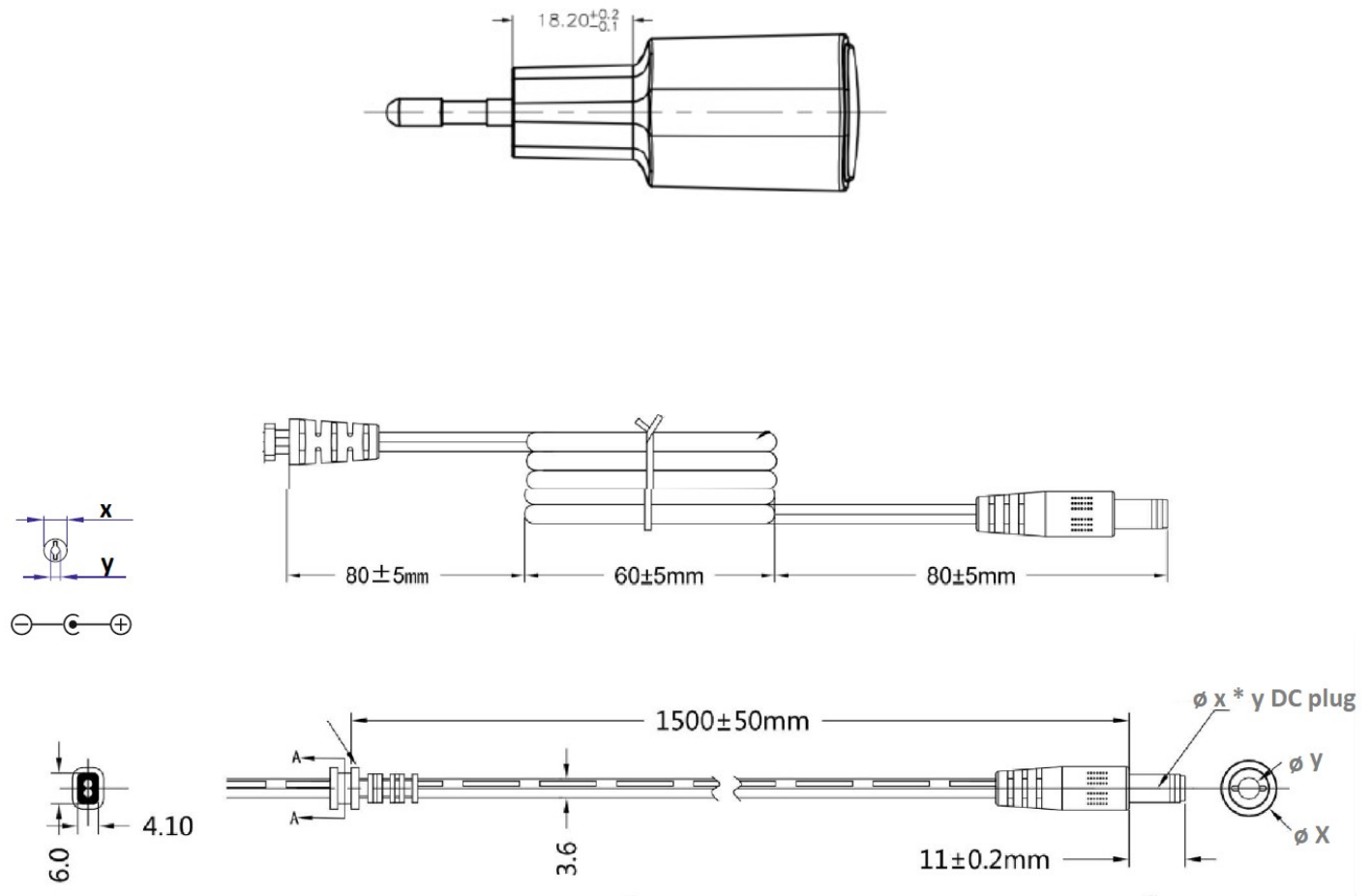


# CLW-0606-W2E-ER25 series

6V / 1A Wall mounted type AC/DC adaptor



## MECHANICAL SPECIFICATION



*MODEL	DC PLUG	X [mm]	Y [mm]	Polarity
CLW-0606-W2E-ER	5.5x2.1mm	5.5	2.1	center positive
<b>CLW-0606-W2E-ER25</b>	<b>5.5x2.5mm</b>	<b>5.5</b>	<b>2.5</b>	<b>center positive</b>
CLW-0606-W2E-ER13	3.5x1.3mm	3.5	1.3	center positive
CLW-0606-W2E-ER40	4.0x1.7mm	4.0	1.7	center positive
CLW-0606-W2E-ER48	4.8x1.7mm	4.8	1.7	center positive
CLW-0606-W2E-ER-CN	5.5x2.1mm	5.5	2.1	center negative
CLW-0606-W2E-ER25-CN	5.5x2.5mm	5.5	2.5	center negative
CLW-0606-W2E-ER13-CN	3.5x1.3mm	3.5	1.3	center negative
CLW-0606-W2E-ER40-CN	4.0x1.7mm	4.0	1.7	center negative
CLW-0606-W2E-ER48-CN	4.8x1.7mm	4.8	1.7	center negative