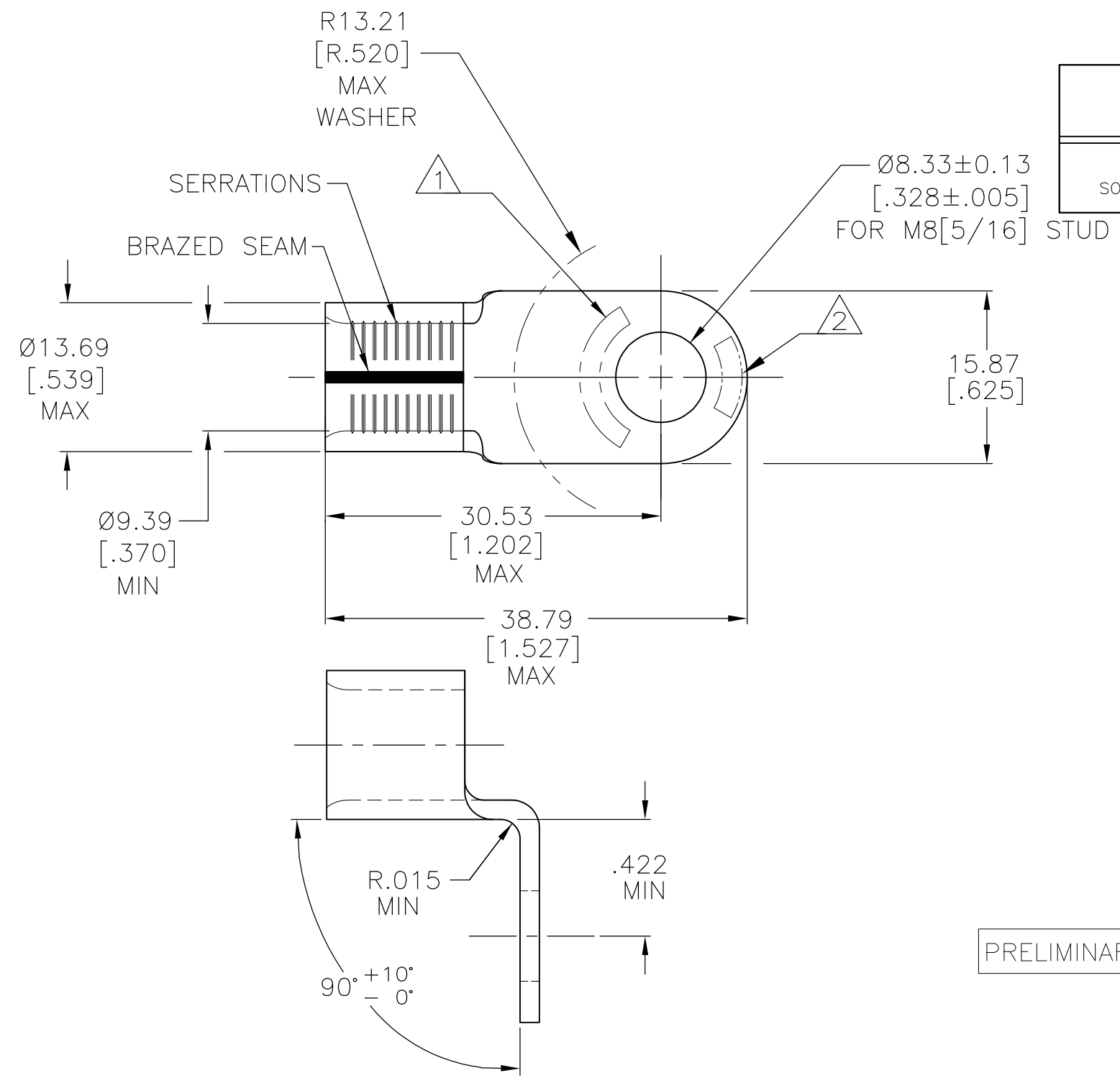


THIS DRAWING IS UNPUBLISHED. RELEASED FOR PUBLICATION
 © COPYRIGHT - By - ALL RIGHTS RESERVED.

REVISIONS				
P	LTR	DESCRIPTION	DATE	APVD
	J4	REVISED PER ECR-17-000528	01FEB2017	BDA DR



AMP WIRE RANGE	Listed FILE E13288	LR7189 Certified	MILITARY P/N AND CLASS
2 AWG SOLID OR STRANDED	2 AWG STRANDED	2 AWG SOLID OR STRANDED	MS 20659-147 CLASS 2

- STAMP AMP 2W* APPROX AS SHOWN.
- STAMP 60-75 APPROX AS SHOWN.
- 3 MATERIAL THK: 1.78±0.08[.070±.003].
- TIN PL 0.00254[.000100] MIN EXT. THK PER ASTM B545
- NICKEL PL 0.00762[.000300] MIN EXT THK PER SAE AMS QQ-N-290.
- GOLD PL 0.00127[.000050] MIN THK PER MIL-G-45204 OVER NICKEL PL 0.00076[.000030] MIN THK PER SAE AMS QQ-N-290.
- 8 NOTE DELETED

PRELIMINARY	↑ LOOSE PIECE ↓	25	170°C[338°F]		8-322870-3
		50	343°C[650°F]		2-322870-2
		50	343°C[650°F]		322870-3
		50	170°C[338°F]		322870-1
		50	170°C[338°F]		322870
QTY.	PACKAGE TYPE	MAX TEMP RATING	FINISH	PART NO.	

FOR P/N 322870-1 & -3 ONLY

AMP INCORPORATED CUSTOMER SERVICE SYSTEMS		MAX RECOMMENDED OPERATING TEMPERATURE: SEE TABLE	THIS DRAWING IS A CONTROLLED DOCUMENT.		DWN DK SCHRUM 5/25/93	TE Connectivity			
FOR ADDITIONAL PRODUCT INFORMATION OR COPIES OF DRAWINGS AND TECHNICAL DOCUMENTS PRODUCT INFORMATION CENTER 1-800-522-6752		VOLTAGE RATING: N/A	DIMENSIONS: INCHES	TOLERANCES UNLESS OTHERWISE SPECIFIED:	CHK RD HEIM 1/27/94				NAME
FOR APPLICATION TOOLING ASSISTANCE CENTER TOOLING INFORMATION 1-800-722-1111		CIRCULAR MIL AREA: 26.7-42.4mm² [52,600-83,700] SOLID OR STRANDED		0 PLC ± - 1 PLC ± - 2 PLC ± 0.20[.008] 3 PLC ± - 4 PLC ± - ANGLES ± -	APVD JL MECKLEY 1/27/94	TERMINAL, RING TONGUE, SOLISTRAND AND STRATO-THERM, 2 AWG			
FOR ORDER ENTRY 1-800-526-5142			MATERIAL COPPER ASTM B-152 ANNEALED	FINISH SEE TABLE	PRODUCT SPEC	SIZE	CAGE CODE	DRAWING NO	RESTRICTED TO
					WEIGHT	A3	00779	C-322870	
					CUSTOMER DRAWING		SCALE 2:1	SHEET 1 OF 1	REV J4