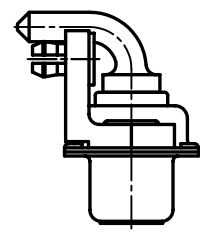
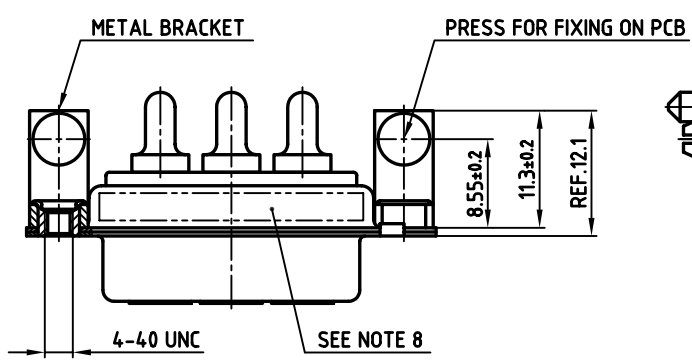
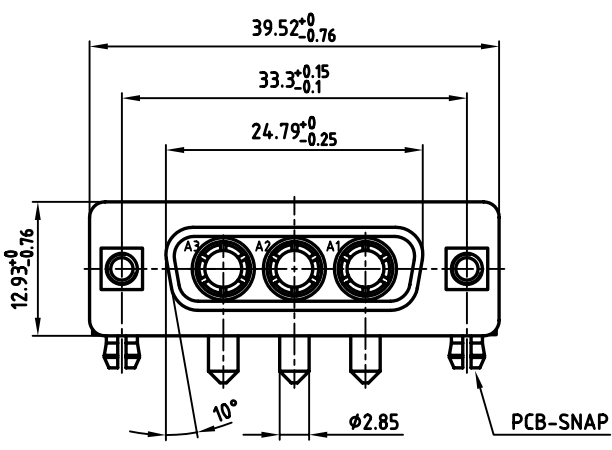
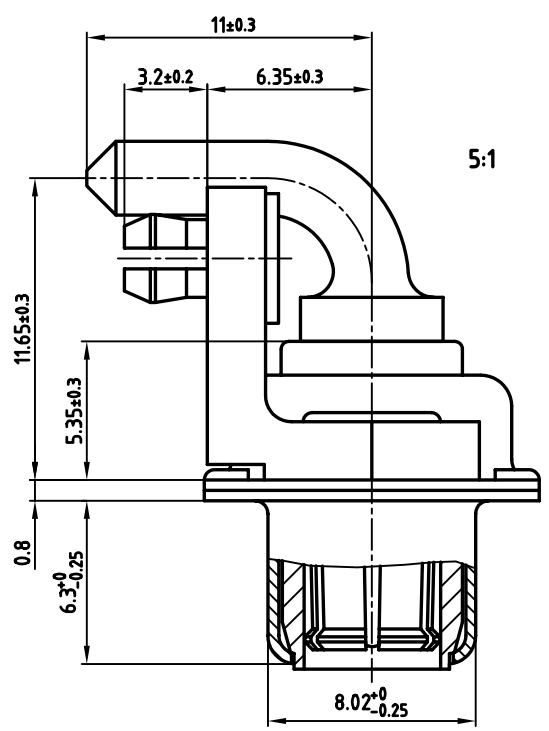


P.C.B. HOLE DRILLINGS

used for: D-SUB COMBINATION



NOTES:

1. METAL SHELLS: STEEL; min. 320µ" TIN
2. INSULATORS: PBT GF UL 94 V-0, GREEN
3. HIGH POWER CONTACTS 20A : COPPER ALLOY  
PLATING: 30µ" HARD GOLD OVER min. 50µ" NICKEL
4. METAL BRACKET: DIE-CASTING; min. 320µ" TIN over 80µ" NICKEL
5. THREADED INSERT: COPPER ALLOY; min. 200µ" TIN over 80µ" NICKEL
6. PCB-SNAP: COPPER ALLOY; min. 200µ" TIN over 80µ" NICKEL  
PCB-HOLE: 3.1±0.1; PCB THICKNESS 1.6mm
7. MAXIMUM TORQUE VALUE FOR THREAD: 6" LBS
8. CONNECTOR IS PART MARKED: 3003W3SXX56N40X CONEC ABC

Directive 2002/95/EC  
RoHS-Compliant

APPROVAL * FREIGABE * DEBLOCAGE * AUTORIZACION * APPROVAL	
CUSTOMER APPROVAL DATE:	
NAME:	TITLE:
COMPANY NAME:	
APPROVAL * FREIGABE * DEBLOCAGE * AUTORIZACION * APPROVAL	

THIS DRAWING MAY NOT BE COPIED OR REPRODUCED IN ANY WAY, AND MAY NOT BE PASSED ON TO A THIRD PARTY, WITHOUT WRITTEN PERMISSION. OWNERSHIP AND COPYRIGHT OF CONEC GmbH DO NOT ALTER CAD DRAWING BY HAND

rev.	description	date	name
a	Origin		

tolerance	dim. in mm	scale: 2:1 (5:1)
material:		SEE NOTES
title:	<b>D-SUB COMBINATION FEMALE 90°</b>	
	3W3S	
	with threaded insert, metal bracket and clip	
dwg no:	AutoCAD 2004	DIN-A
	<b>13K1A1708</b>	3
part no:	<b>3003W3SXX56N40X</b>	
		sh: 1/1



# Mouser Electronics

Authorized Distributor

Click to View Pricing, Inventory, Delivery & Lifecycle Information:

[Amphenol:](#)

[3003W3SXX56N40X](#)